



Curriculum Vitae

RUNGTHIP CHINTHIENTRAKUL

CAD DESIGNER

About Me

445/238 Moo 12 Bang Phliai Bangplee Samtprakarn 10540

Mobile : 092-2815465

Miss Rungthip Chinthientrakul

Personal

Age: 43 years old

Date of Birth: February 18th 1976

Sex: Female

Marital: Single

Nationality: Thai

Religion: Buddhist

Language

Thai: Native Speaker

English: Read : Fair, Write: Fair

Listen: Fair, Speak: Fair

Education

Primary, High School: St. Joseph Thiphawan School

Vocational: Rajamangala University of Technology Krungthep

Rajamangala University of Technology Tawan-ok: Uthenthawai Campus

Bachelor: Rajamangala University of Technology Thanyaburi

Skill

Microsoft Office: Intermediate

Auto CAD 2D: Advance

Experience

2006 – Present: Leo International Design Group

Position: Cad Designer

Job Duties: CAD drawing

Develop design

Coordinate with the designer

Site meeting

2002 – 2005: Leo Design Interior Architecture

Position: Cad Designer

Job Duties: CAD drawing

Develop design

Coordinate with the designer

2001 – 2002: Décor Mart

Position: Cad Designer

Job Duties: CAD drawing

Develop design

Achievement

Grand Riverside Hotel

Asia Royal Hospital

Bumrungrad Hospital

Shengyang Hilton Hotel – Chinese restaurant

Marza Malaz Hotel – Business center

Shimao Wulihe Hilton Hotel – Chinese restaurant

All seasons mansions

Azaiba – Indian restaurant

DTAC shop

Double tree Hotel – Public toilet, Function room and Corridor

Jade Villa – Call room, Lobby, Corridor, Public toilet, Banquet hall, meeting room

ST Giles Express Penang – All day restaurant

Chulalongkorn Hospital

Mayflower Tower – Lobby area

Sheraton Hotel Phuket – HT Block Guestroom, Pool Bar, South Residence Lobby

Park Nai Lert Hotel – Executive lounge

Emerald palace Kempinski Dubai – Public Toilet

SK38 Hotel – Master Plan , Bedroom 5 Type.

SHERATON GRAND BAY

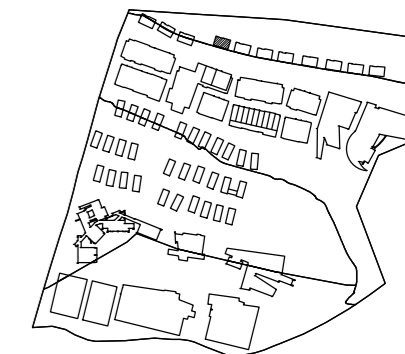
PHUKET THAILAND

MEZZANINE FLOOR PLAN
POOL BAR

INTERIOR DECORATION DRAWING
(FOR TENDER)

DATE : 25 JANUARY 2019

LEOINTER



Rev No.	Revision Note	Date

PROJECT DESIGNER
DR. KONGSAK YUKTASEVI
KARUNA SUDACHIT

CLIENT'S APPROVAL

APPROVED BY

DRAWN BY
RUNGTHIP

DATE
25 JAN 2019

DRAWING TITLE
MEZZANINE FLOOR PLAN
POOL BAR

KEY PLAN

DWG NO.

PB-1-01

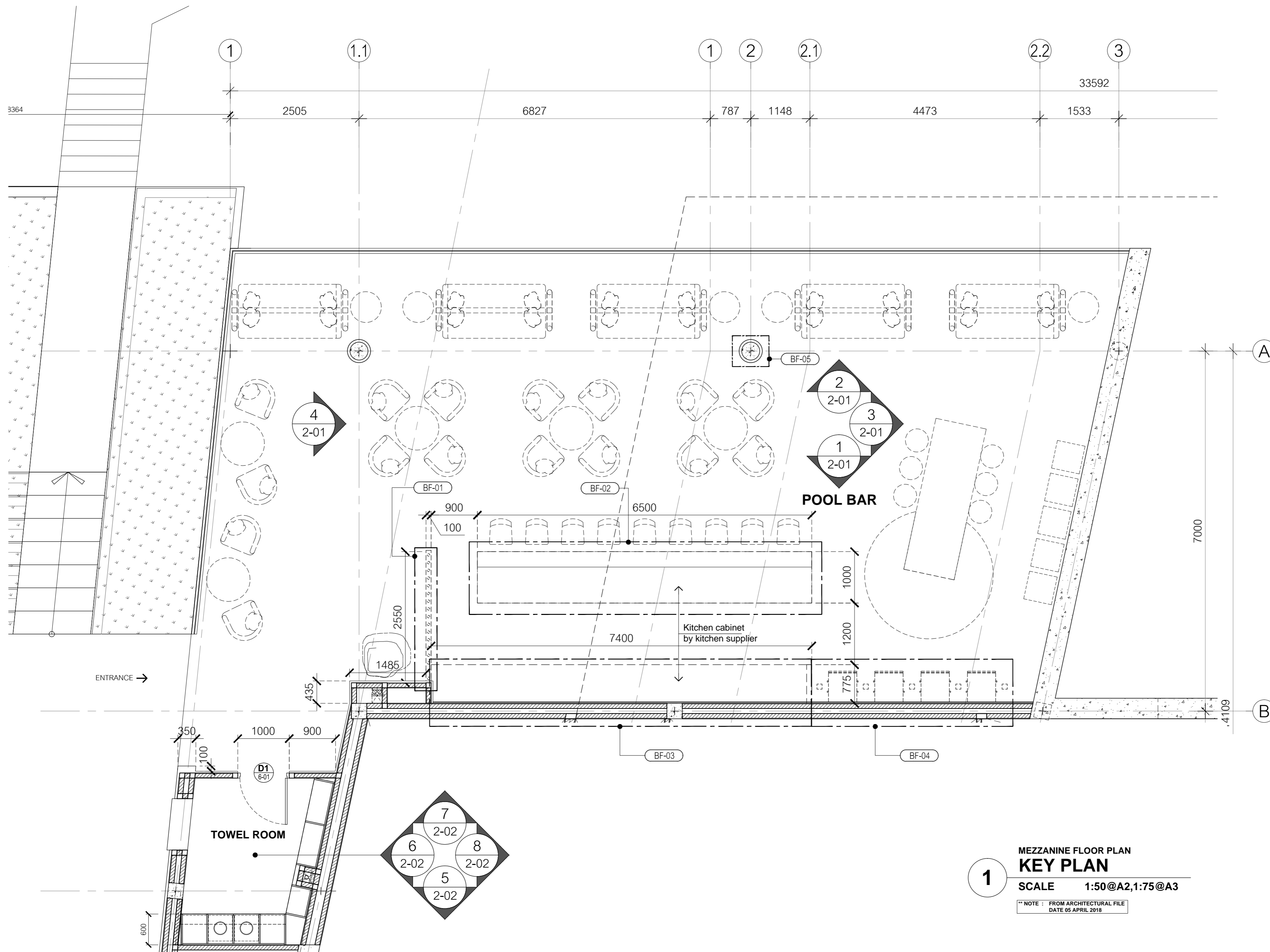
SCALE
1 : 50

REV.	SIZE
00	A2

INTERIOR ARCHITECTURE
DESIGNER
LEOINTER

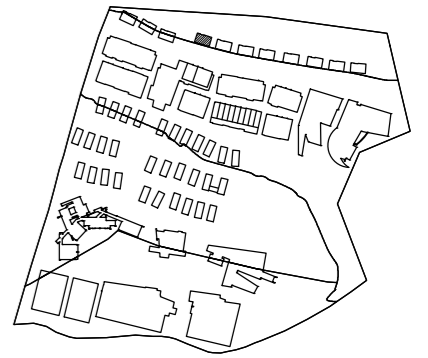
LEO INTERNATIONAL DESIGN GROUP CO., LTD.
39th FLOOR OCEAN TOWER II
75/108-109 SUKHUMVIT SOI 19 ROAD
BANGKOK 10110 THAILAND
TEL : 66 (0) 2261 7733
FAX : 66 (0) 2261 7734
E-MAIL : lidg@lidg.co.th
www.leointer.com

ALL DESIGNS ARE THE PROPERTY OF LEO INTERNATIONAL DESIGN GROUP AND CANNOT BE USED WITHOUT THEIR WRITTEN PERMISSION DO NOT SCALE DRAWINGS ALL MEASUREMENTS MUST BE CHECKED AT THE SITE BY CONTRACTOR



1
MEZZANINE FLOOR PLAN
KEY PLAN
SCALE **1:50@A2,1:75@A3**

** NOTE : FROM ARCHITECTURAL FILE
DATE 05 APRIL 2018



Rev No.	Revision Note	Date

PROJECT DESIGNER
DR. KONGSAK YUKTASEVI
KARUNA SUDACHIT

CLIENT'S APPROVAL

APPROVED BY

DRAWN BY
RUNGTHIP

DATE
25 JAN 2019

DRAWING TITLE
MEZZANINE FLOOR PLAN
POOL BAR

FURNITURE PLAN

DWG NO.

PB-1-02

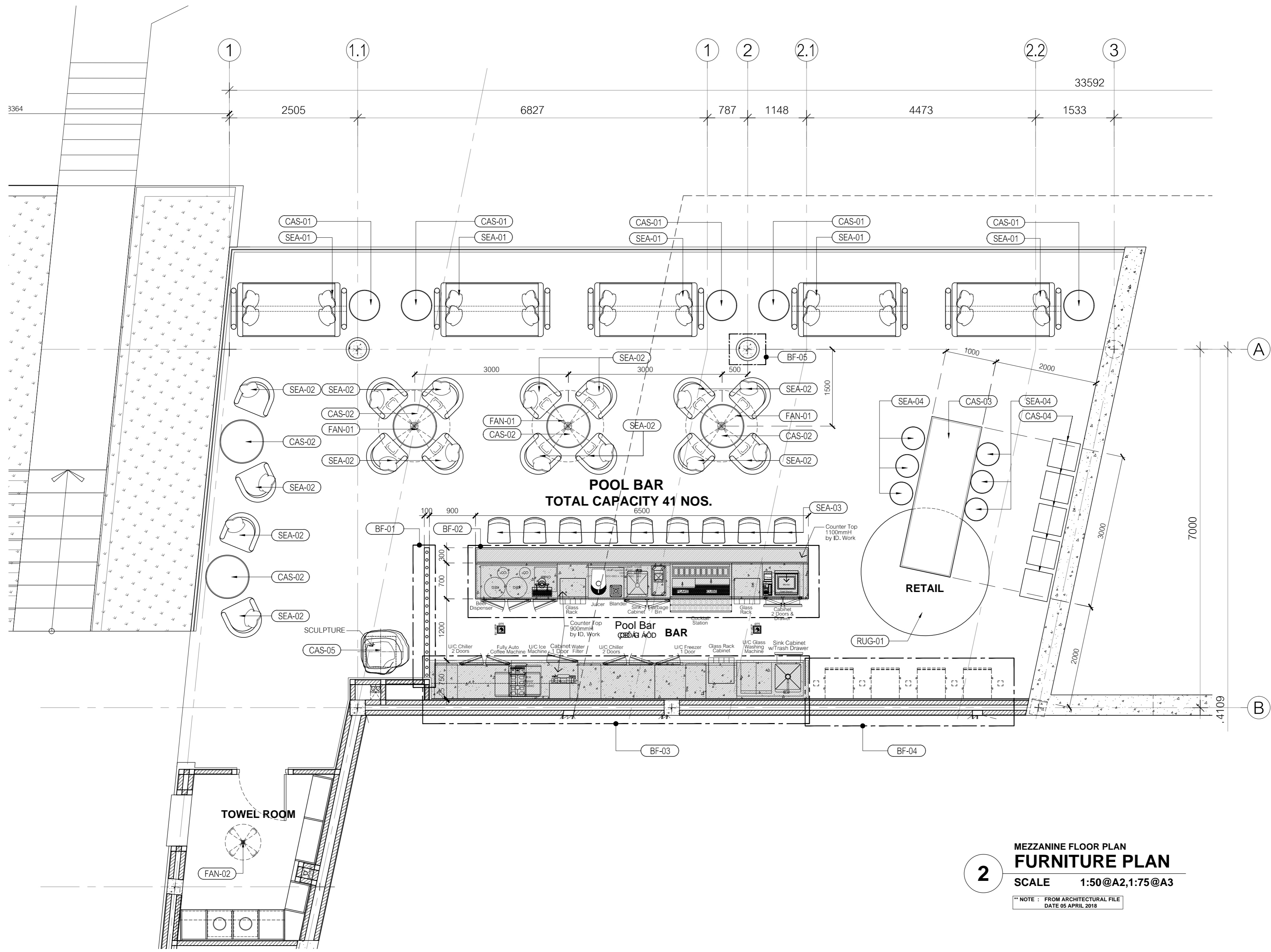
SCALE
1 : 50

REV. 00 SIZE A2

INTERIOR ARCHITECTURE
DESIGNER
LEOINTER

LEO INTERNATIONAL DESIGN GROUP CO., LTD.
39th FLOOR OCEAN TOWER II
75/108-109 SUKHUMVIT SOI 19 ROAD
BANGKOK 10110 THAILAND
TEL : 66 (0) 2261 7733
FAX : 66 (0) 2261 7734
E-MAIL : lidg@lidg.co.th
www.leointer.com

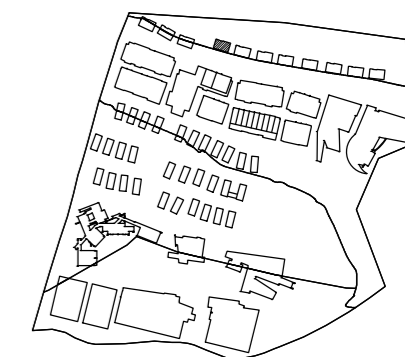
ALL DESIGNS ARE THE PROPERTY OF LEO
INTERNATIONAL DESIGN GROUP AND CANNOT BE USED
WITHOUT THEIR WRITTEN PERMISSION DO NOT SCALE
DRAWINGS ALL MEASUREMENTS MUST BE CHECKED AT
THE SITE BY CONTRACTOR



2

MEZZANINE FLOOR PLAN
FURNITURE PLAN
SCALE 1:50@A2,1:75@A3

** NOTE : FROM ARCHITECTURAL FILE
DATE 05 APRIL 2018



Rev No.	Revision Note	Date

PROJECT DESIGNER
DR. KONGSAK YUKTASEVI
KARUNA SUDACHIT

CLIENT'S APPROVAL

APPROVED BY

DRAWN BY
RUNGTHIP

DATE
25 JAN 2019

DRAWING TITLE
MEZZANINE FLOOR PLAN
POOL BAR

POWER OUTLET PLAN

DWG NO.

PB-1-04

SCALE

1 : 50

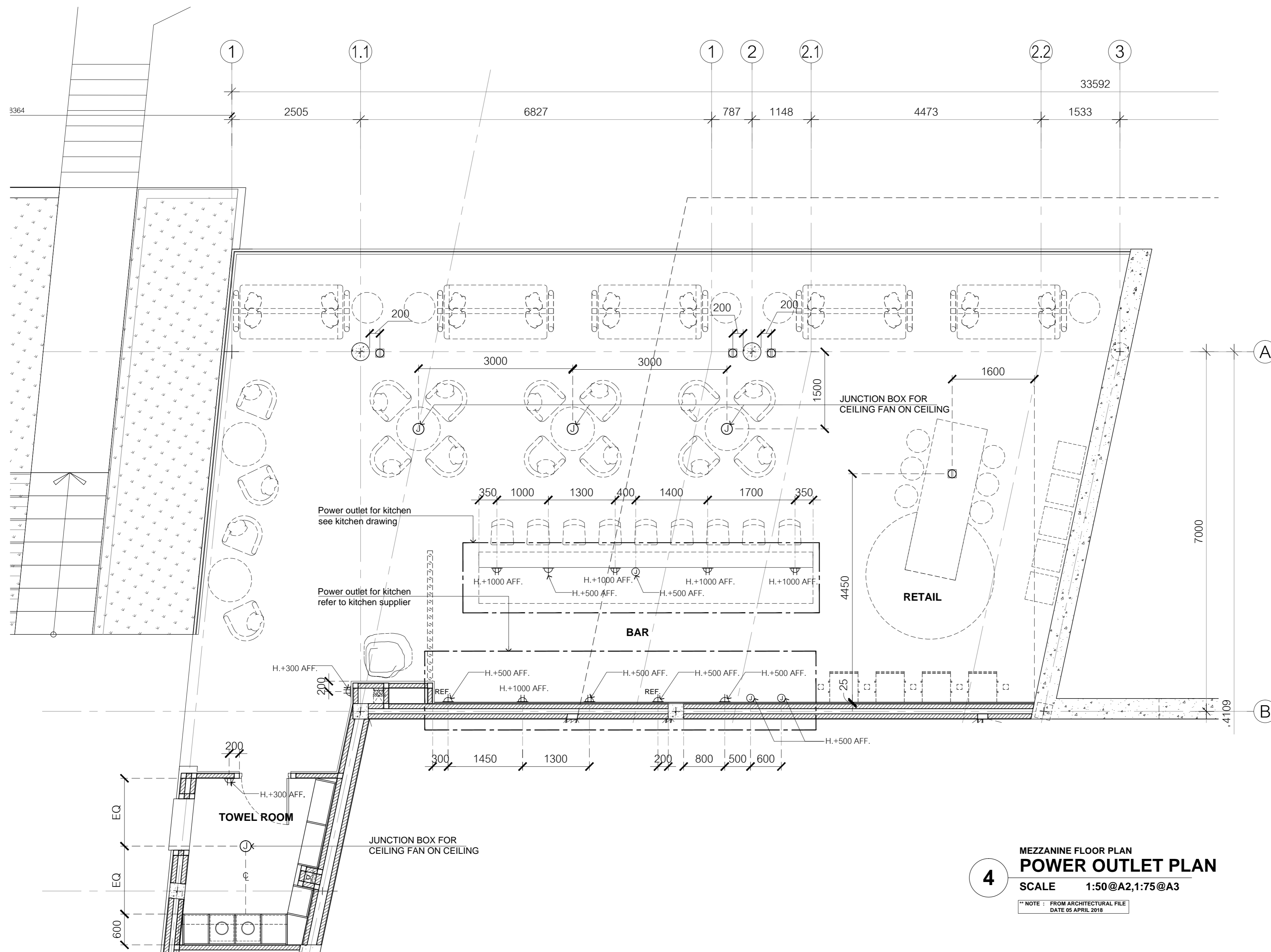
REV.
00

SIZE
A2

INTERIOR ARCHITECTURE
DESIGNER
LEOINTER

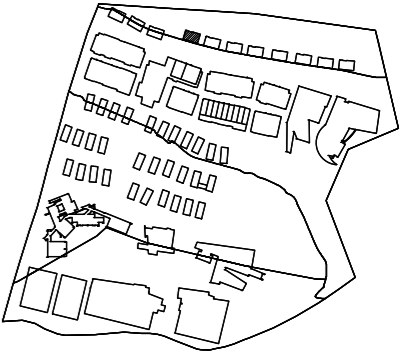
LEO INTERNATIONAL DESIGN GROUP CO., LTD.
39th FLOOR OCEAN TOWER II
75/108-109 SUKHUMVIT SOI 19 ROAD
BANGKOK 10110 THAILAND
TEL : 66 (0) 2261 7733
FAX : 66 (0) 2261 7734
E-MAIL : lidg@lidg.co.th
www.leointer.com

ALL DESIGNS ARE THE PROPERTY OF LEO INTERNATIONAL DESIGN GROUP AND CANNOT BE USED WITHOUT THEIR WRITTEN PERMISSION DO NOT SCALE DRAWINGS ALL MEASUREMENTS MUST BE CHECKED AT THE SITE BY CONTRACTOR



4 MEZZANINE FLOOR PLAN
POWER OUTLET PLAN
SCALE 1:50@A2,1:75@A3

** NOTE : FROM ARCHITECTURAL FILE
DATE 05 APRIL 2018



Rev No.	Revision Note	Date

PROJECT DESIGNER
DR. KONGSAK YUKTASEVI
KARUNA SUDACHIT

CLIENT'S APPROVAL

APPROVED BY

DRAWN BY
RUNGTHIP

DATE
25 JAN 2019

DRAWING TITLE
MEZZANINE FLOOR PLAN
POOL BAR

REFLECTED CEILING &
LIGHTING PLAN

DWG NO.

PB-1-05

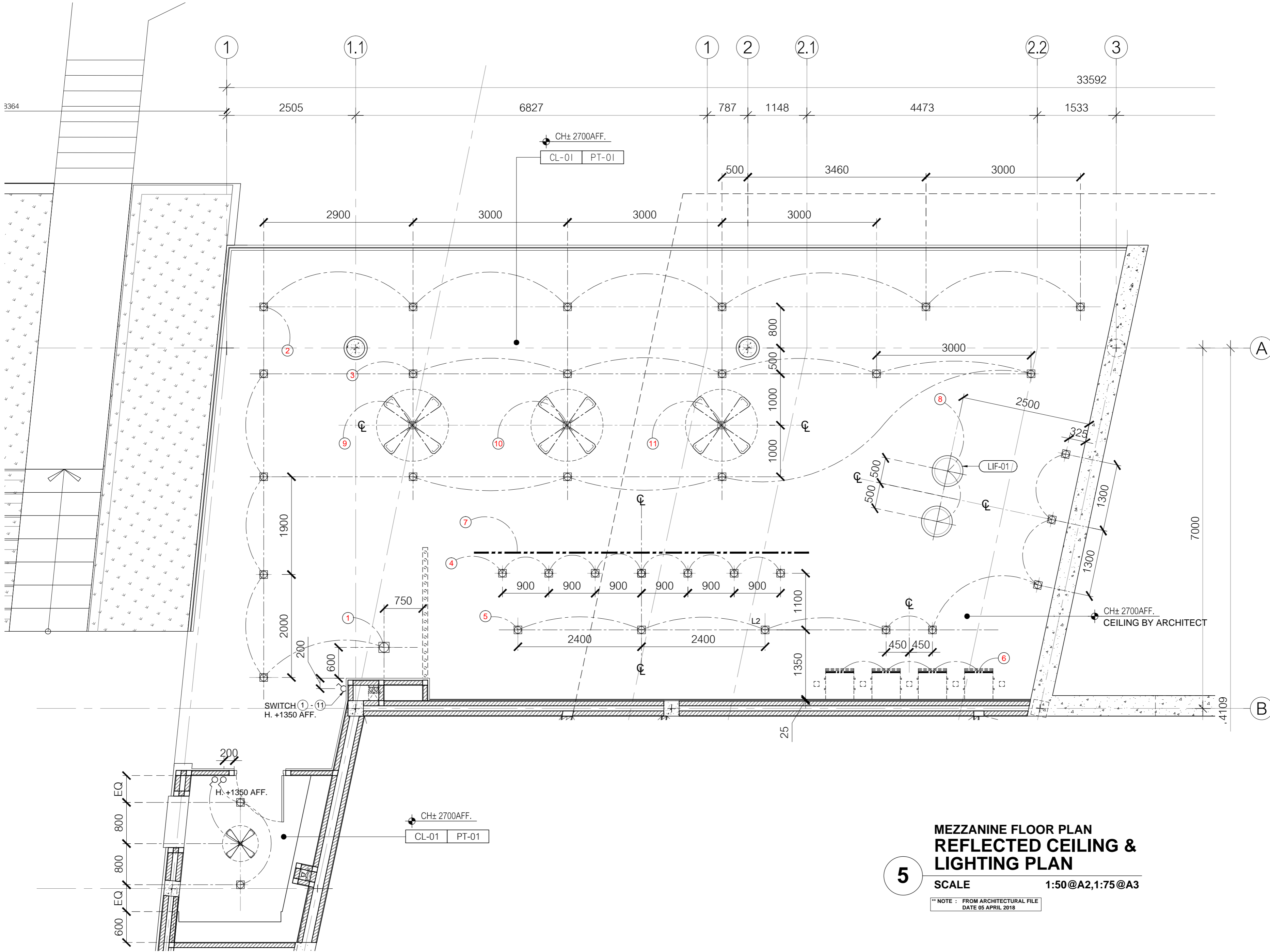
SCALE
1 : 50

REV.	SIZE
00	A2

INTERIOR ARCHITECTURE
DESIGNER
LEONTER

LEO INTERNATIONAL DESIGN GROUP CO., LTD.
39th FLOOR OCEAN TOWER II
75/108-109 SUKHUMVIT SOI 19 ROAD
BANGKOK 10110 THAILAND
TEL : 66 (0) 2261 7734
FAX : 66 (0) 2261 7734
E-MAIL : ledg@lidg.co.th
www.leonter.com

ALL DESIGNS ARE THE PROPERTY OF LEO INTERNATIONAL DESIGN GROUP AND CANNOT BE USED WITHOUT THEIR WRITTEN PERMISSION DO NOT SCALE DRAWINGS ALL MEASUREMENTS MUST BE CHECKED AT THE SITE BY CONTRACTOR

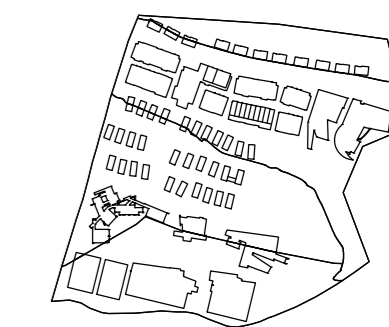


5

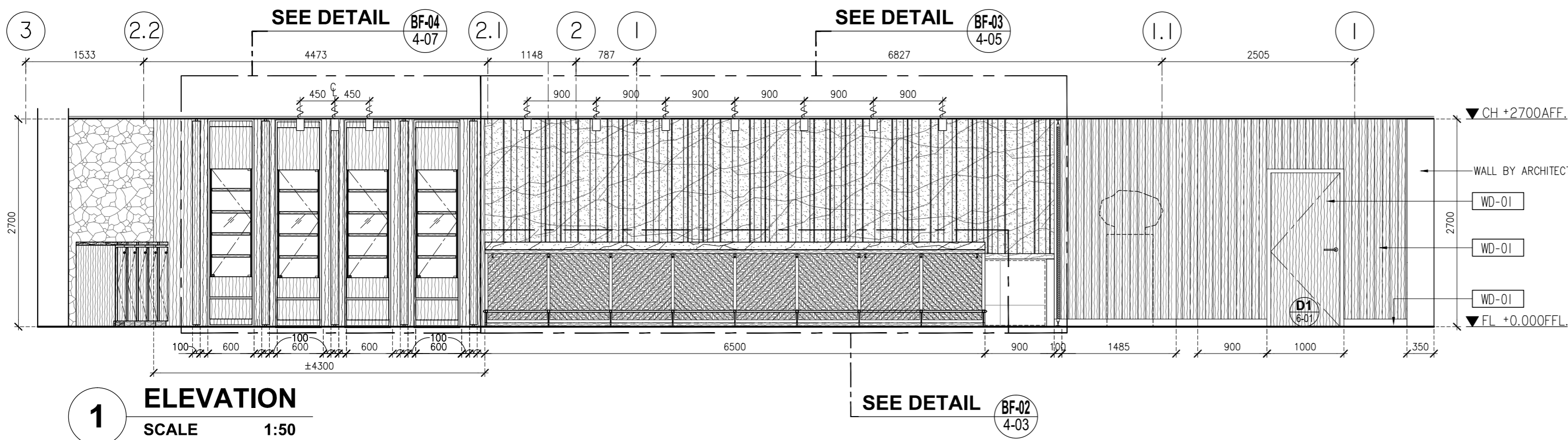
**MEZZANINE FLOOR PLAN
REFLECTED CEILING &
LIGHTING PLAN**

SCALE 1:50@A2, 1:75@A3

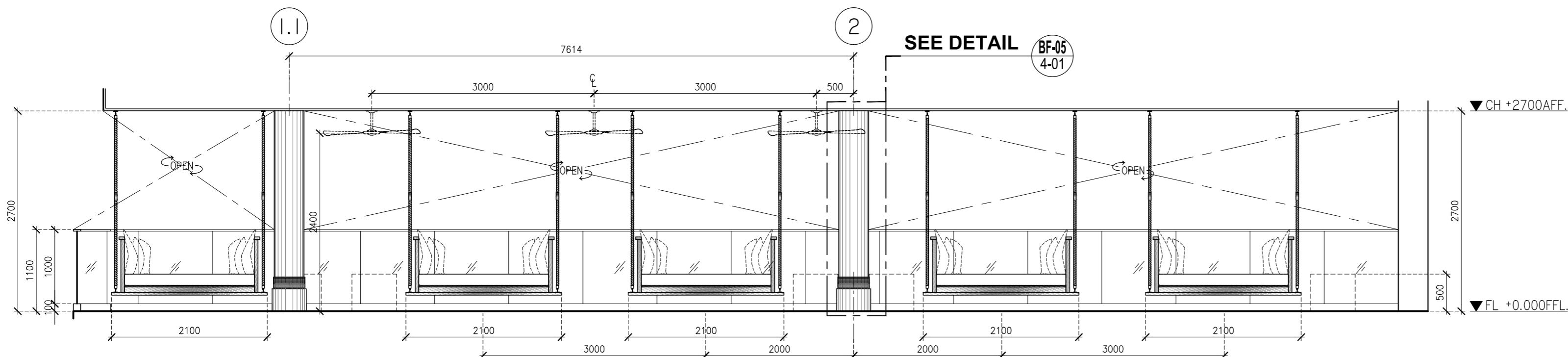
** NOTE : FROM ARCHITECTURAL FILE
DATE 05 APRIL 2018



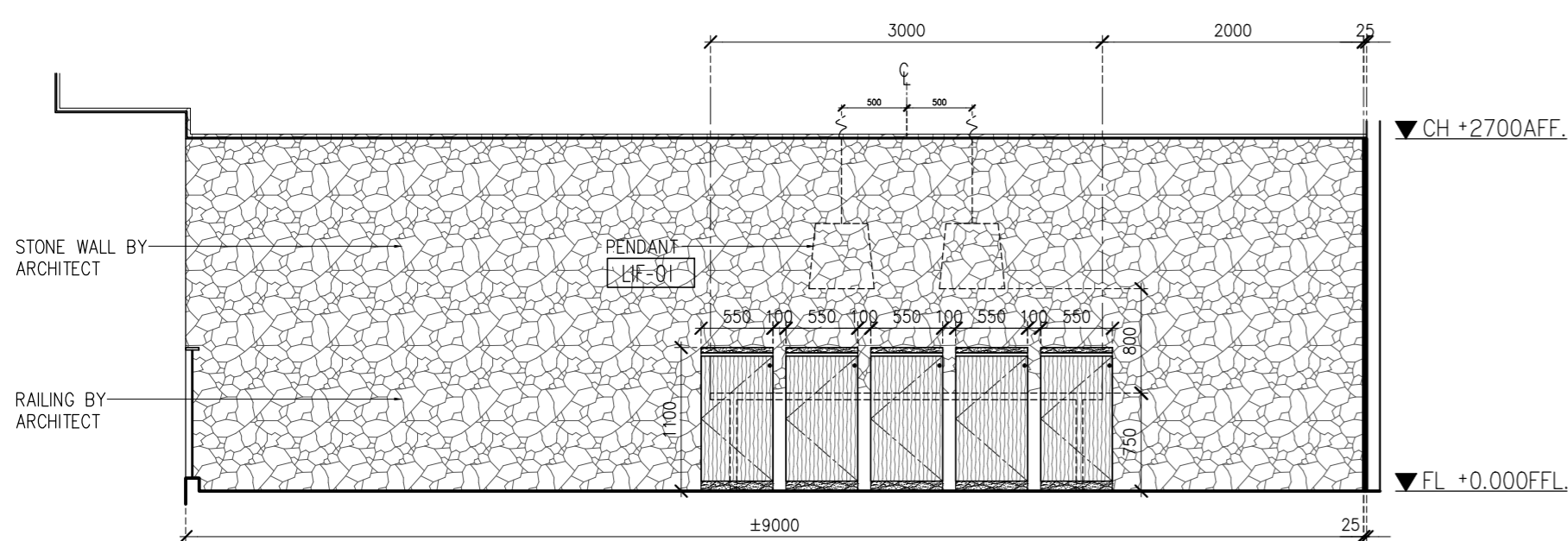
Rev No.	Revision Note	Date



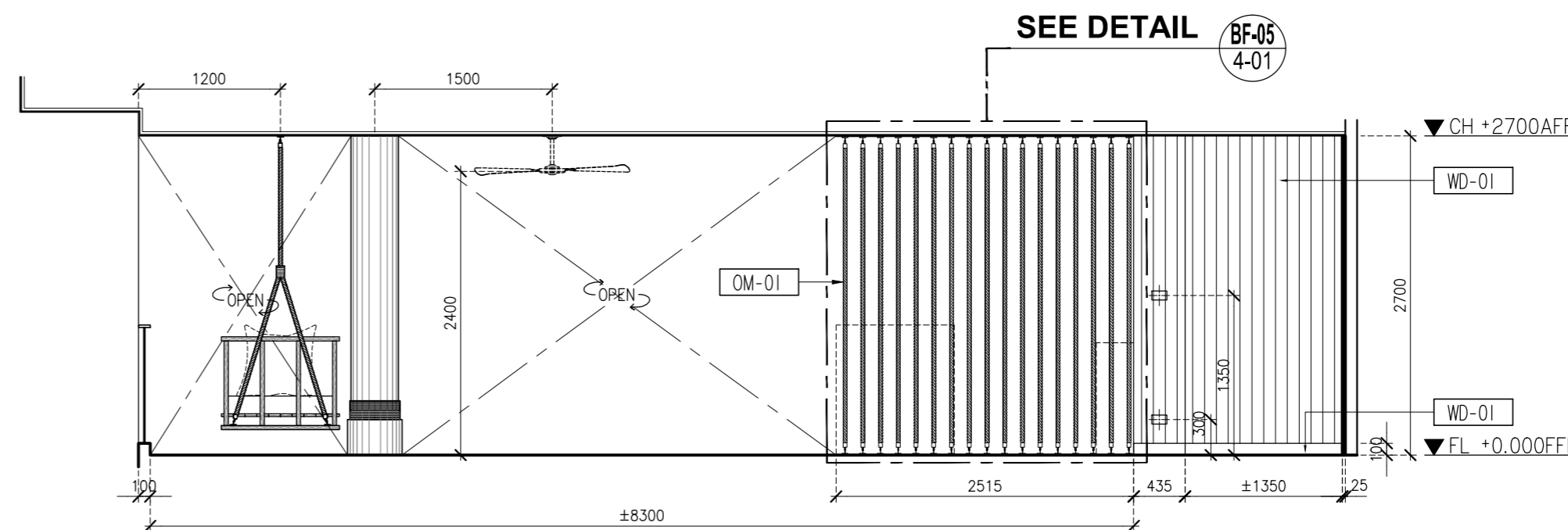
1 ELEVATION
SCALE 1:50



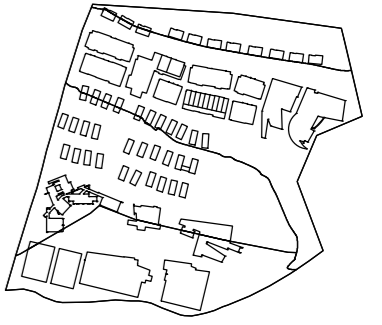
2 ELEVATION
SCALE 1:50



3 ELEVATION
SCALE 1:50



4 ELEVATION
SCALE 1:50



Rev No.	Revision Note	Date

PROJECT DESIGNER
KONGSAK YUKTASEVI
KARUNA SUDACHIT

APPROVED BY

DRAWN BY
RUNGTHIP

DATE
25 JAN 2019

DRAWING TITLE
MEZANINE FLOOR PLAN
POOL BAR

ELEVATION 5 - 8

DWG NO.

PB-2-02

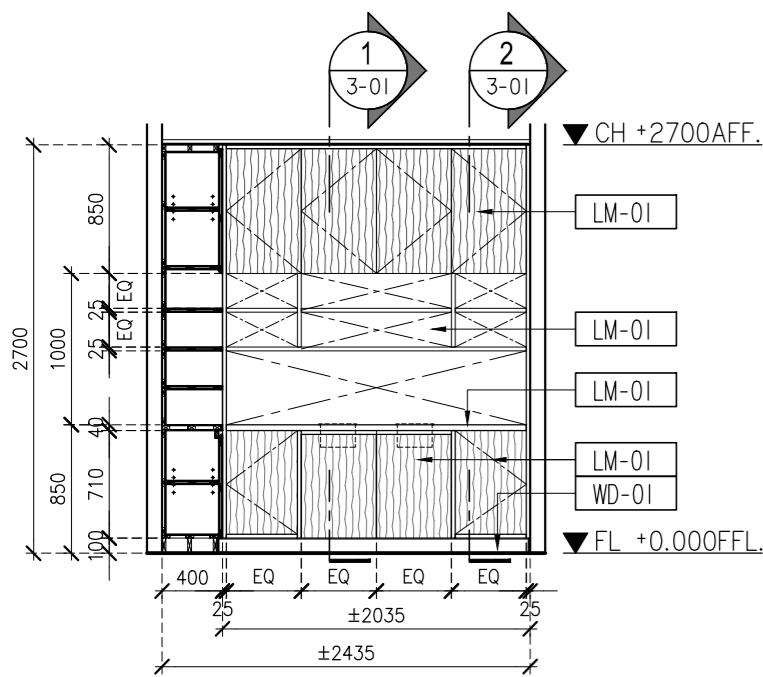
SCALE
1:50

REV.	SIZE
	A2

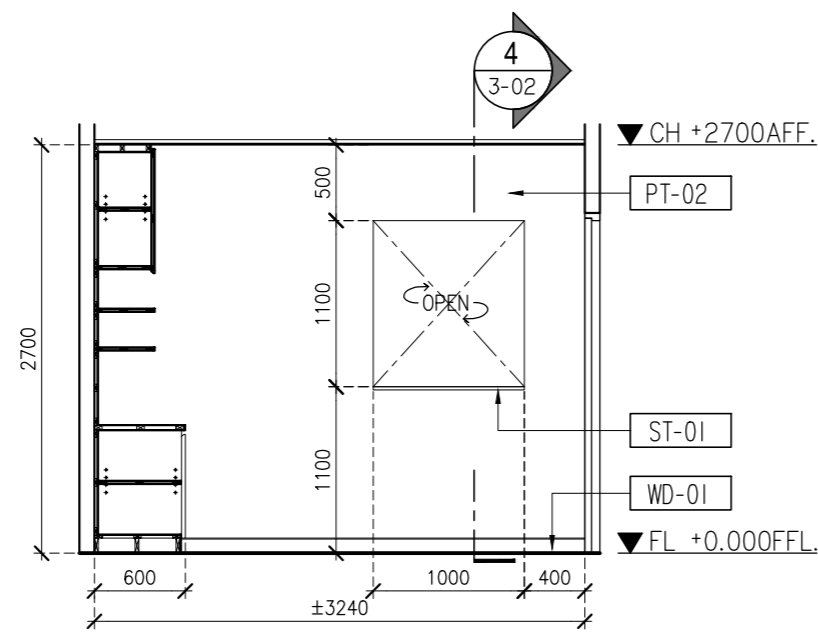
**INTERIOR ARCHITECTURE
DESIGNER**

LEONTER
LEO INTERNATIONAL DESIGN GROUP CO., LTD.
39th FLOOR, OCEAN TOWER 2
75/108-109 SUKHUMVIT 19 ROAD KLONGTOEY NUA,
VADHANA, BANGKOK 10110, THAILAND
TEL : +66 (0) 22617733
FAX : +66 (0) 22617734
E-MAIL : lidg@lidg.co.th
www.lidg.co.th

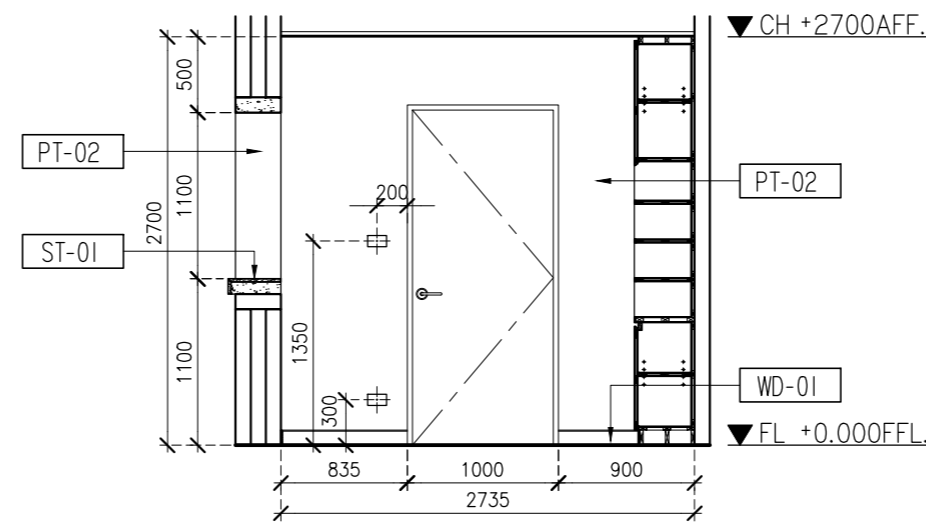
ALL DESIGNS ARE THE PROPERTY OF LEO INTERNATIONAL DESIGN GROUP AND CANNOT BE USED WITHOUT THEIR WRITTEN PERMISSION. DO NOT SCALE DRAWINGS AND ALL MEASUREMENTS MUST BE CHECKED AT THE SITE BY CONTRACTOR



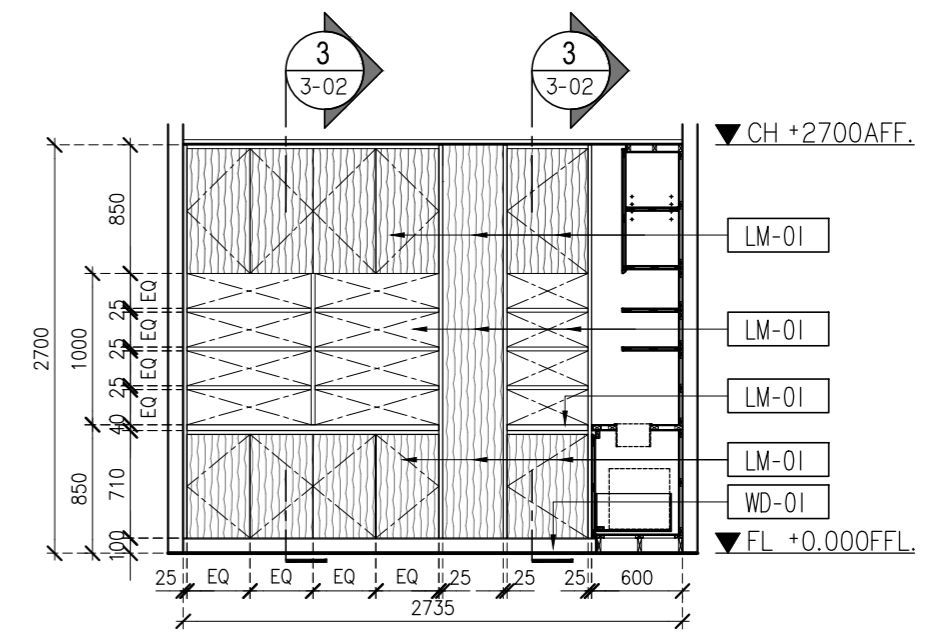
5 ELEVATION
SCALE 1:50



6 ELEVATION
SCALE 1:50



7 ELEVATION
SCALE 1:50

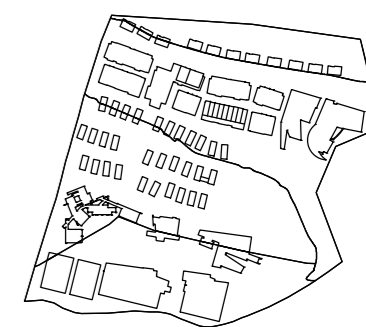


8 ELEVATION
SCALE 1:50

PROJECT

SHERATON GRANDE HOTEL
PHUKET THAILAND

KEY PLAN



REVISION

Rev No.	Revision Note	Date

CLIENT'S APPROVAL

PROJECT DESIGNER
KONGSAK YUKTASEVI
KARUNA SUDACHIT

APPROVED BY

DRAWN BY

RUNGTHIP

DATE

25 JAN 2019

DRAWING TITLE
MEZANINE FLOOR PLAN
POOL BAR

BF-01 , BF-05

DWG NO.

PB-4-01

SCALE

1 : 12.5

REV.

SIZE

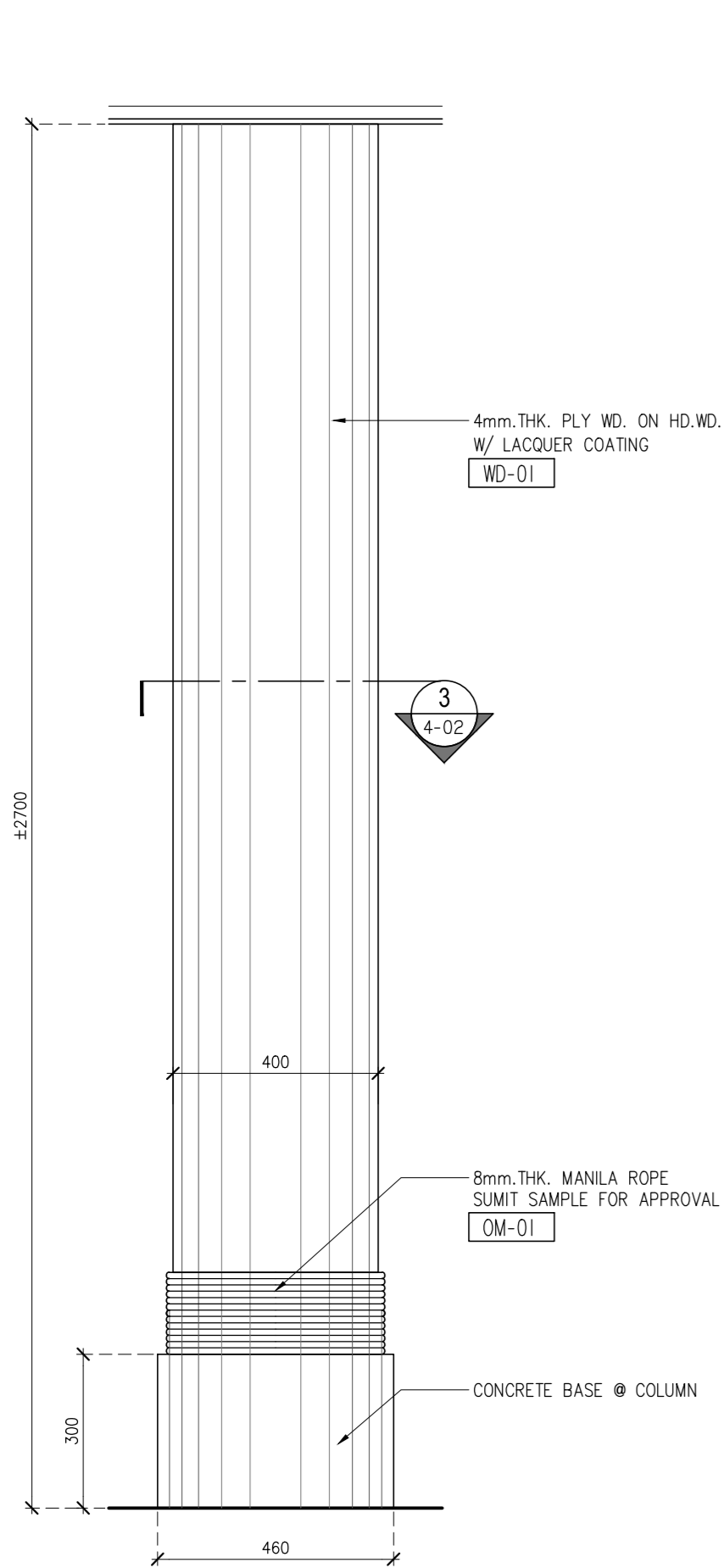
A2

INTERIOR ARCHITECTURE
DESIGNER

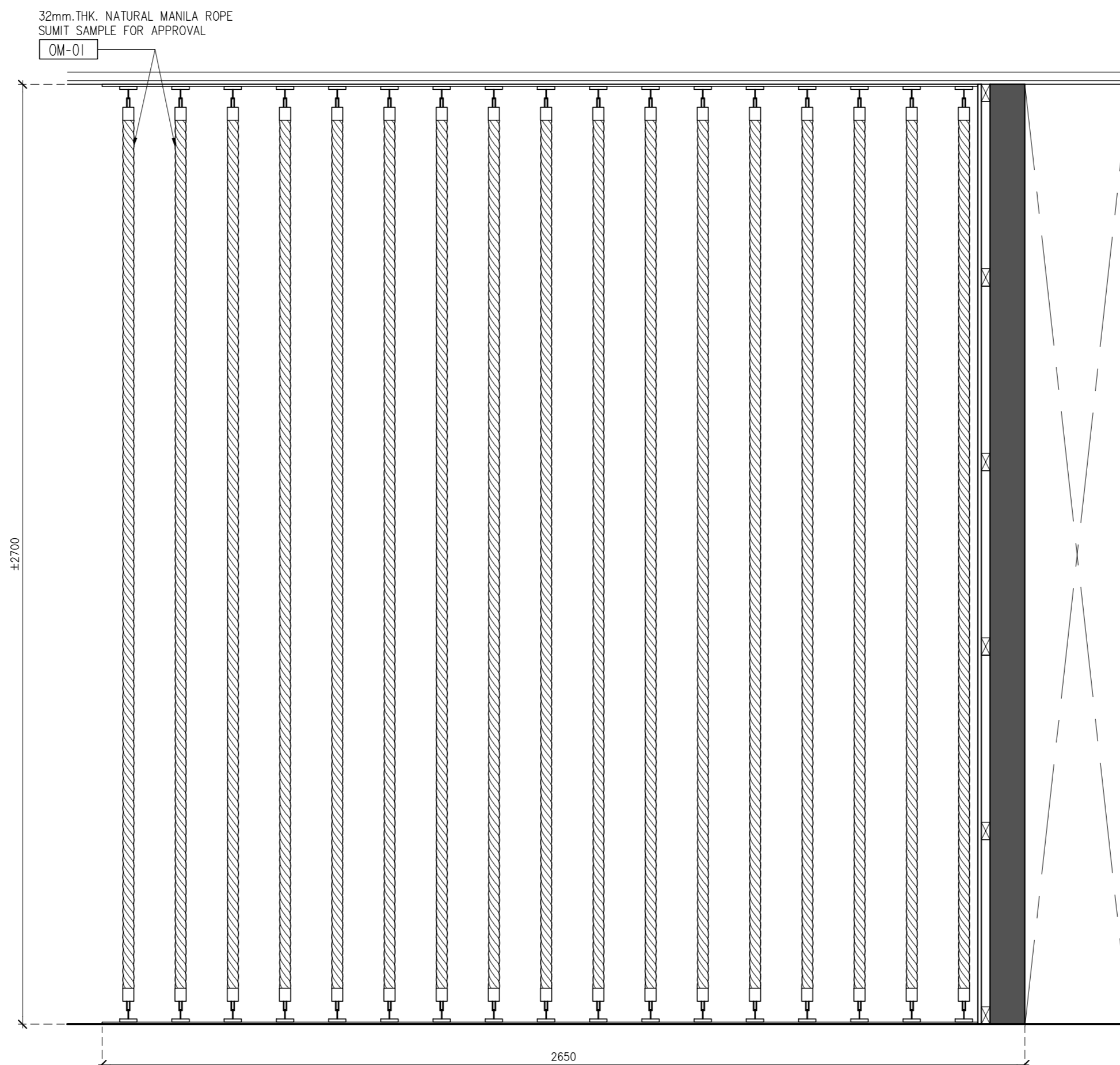
LEONTER

LEO INTERNATIONAL DESIGN GROUP CO., LTD.
39th FLOOR, OCEAN TOWER 2
75/108-109 SUKHUMVIT 19 ROAD KLONGTOEY NUA,
VADHANA, BANGKOK 10110, THAILAND
TEL : +66 (0) 22617733
FAX : +66 (0) 22617734
E-MAIL : lidg@lidg.co.th
www.lidg.co.th

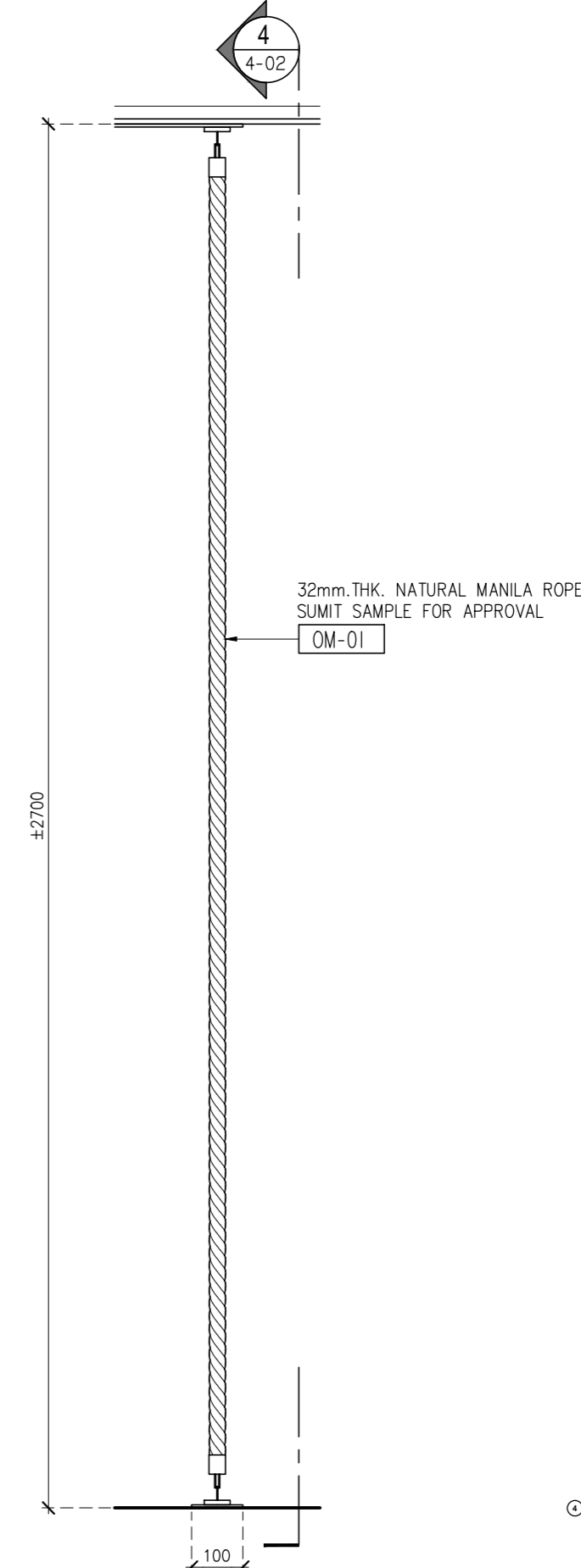
ALL DESIGNS ARE THE PROPERTY OF LEO
INTERNATIONAL DESIGN GROUP AND CANNOT BE
USED WITHOUT THEIR WRITTEN PERMISSION. DO
NOT SCALE DRAWINGS AND ALL MEASUREMENTS
MUST BE CHECKED AT THE SITE BY CONTRACTOR



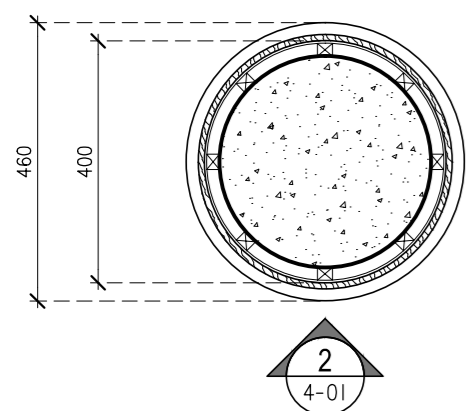
2 BF-05
ELEVATION
SCALE 1:12.5



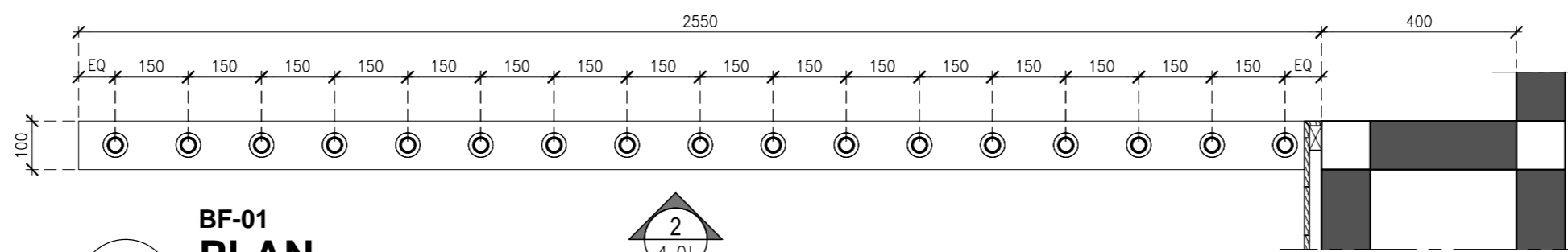
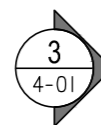
2 BF-01
FRONT ELEVATION
SCALE 1:12.5



3 BF-01
SIDE ELEVATION
SCALE 1:12.5

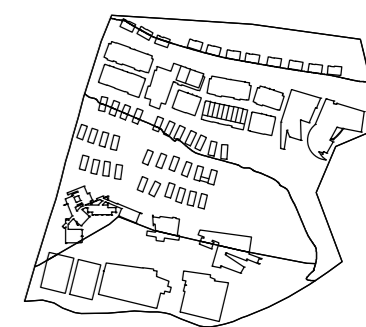


1 BF-05
PLAN
SCALE 1:12.5



1 BF-01
PLAN
SCALE 1:12.5





Rev No.	Revision Note	Date

PROJECT DESIGNER
KONGSAK YUKTASEVI
KARUNA SUDACHIT

APPROVED BY

DRAWN BY

RUNGTHIP

DATE

25 JAN 2019

DRAWING TITLE
MEZANINE FLOOR PLAN
POOL BAR

DETAIL PLAN , SECTION

DWG NO.

PB-4-02

SCALE

AS SHOWN

REV.

SIZE

A2

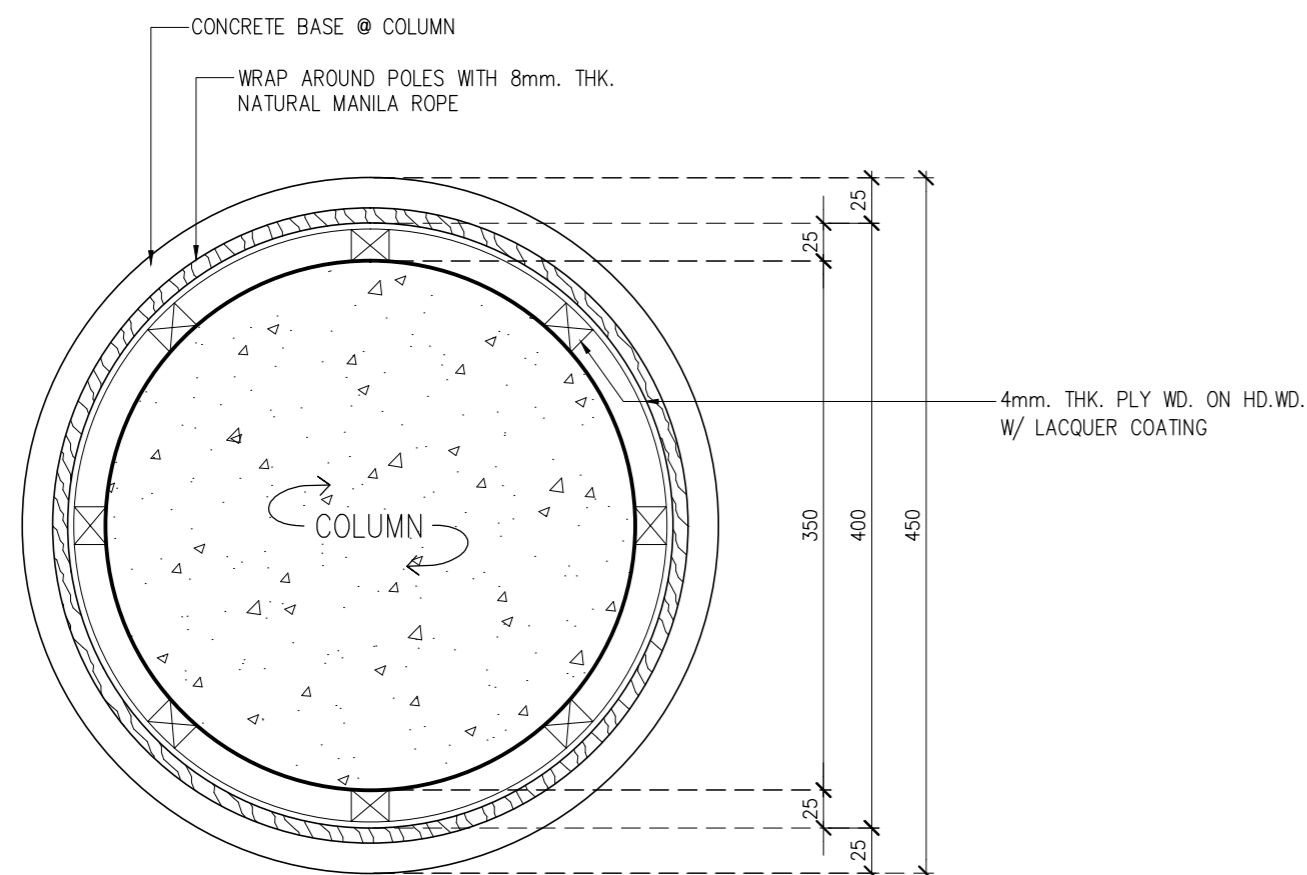
INTERIOR ARCHITECTURE

DESIGNER

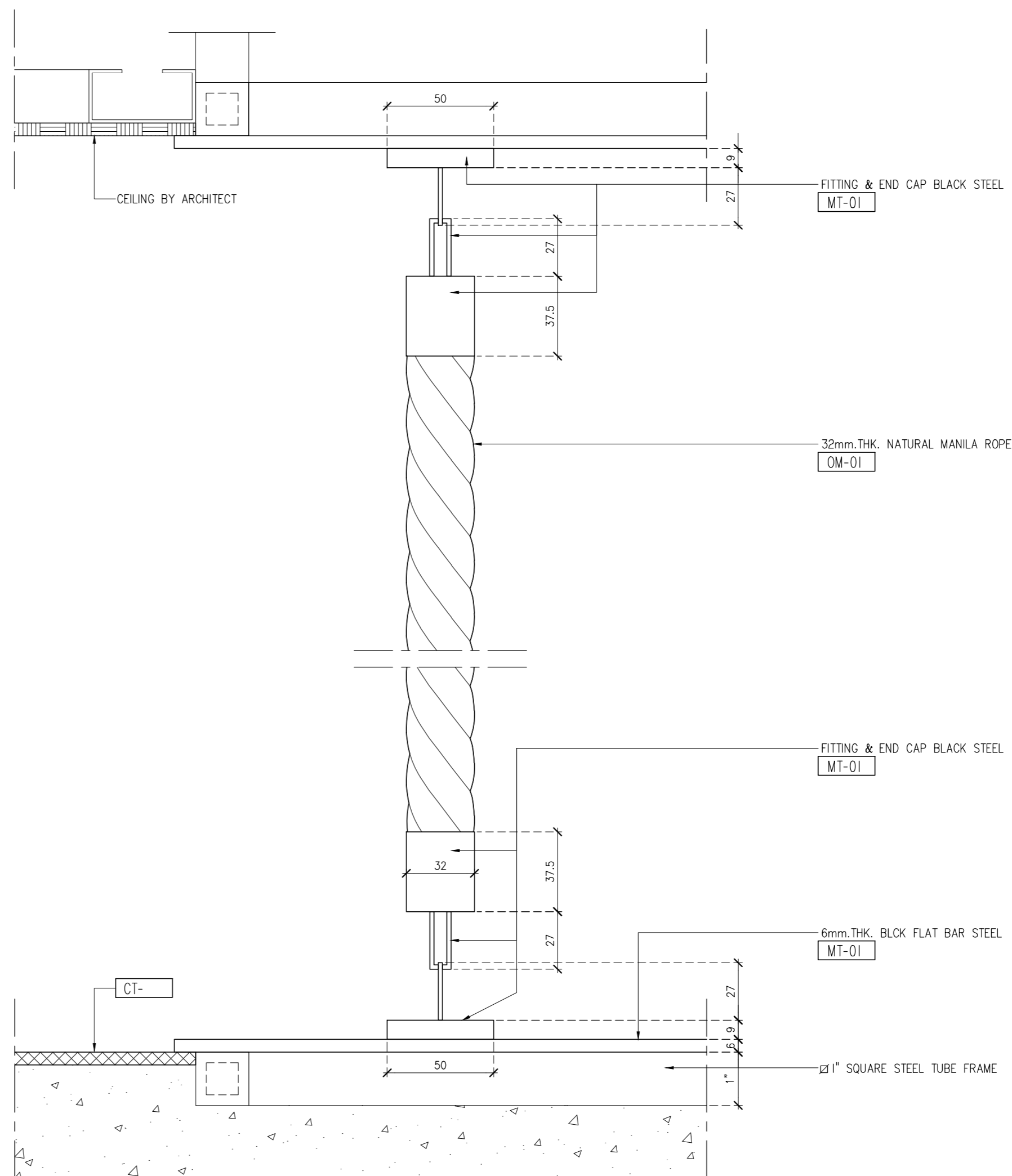
LEONTER

LEO INTERNATIONAL DESIGN GROUP CO., LTD.
39th FLOOR, OCEAN TOWER 2
75/108-109 SUKHUMVIT 19 ROAD KLONGTOEY NUA,
VADHANA, BANGKOK 10110, THAILAND
TEL : +66 (0) 22617733
FAX : +66 (0) 22617734
E-MAIL : lidg@lidg.co.th
www.lidg.co.th

ALL DESIGNS ARE THE PROPERTY OF LEO INTERNATIONAL DESIGN GROUP AND CANNOT BE USED WITHOUT THEIR WRITTEN PERMISSION. DO NOT SCALE DRAWINGS AND ALL MEASUREMENTS MUST BE CHECKED AT THE SITE BY CONTRACTOR

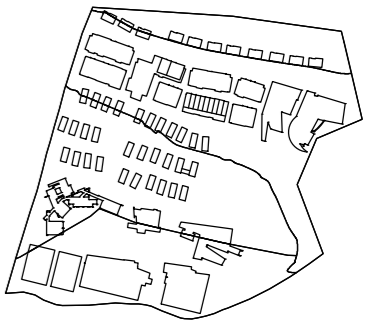


3 BF-05
DETAIL PLAN
SCALE 1:5



4 BF-01
SECTION
SCALE 1:2

KEY PLAN



REVISION

Rev No.	Revision Note	Date

CLIENT'S APPROVAL

PROJECT DESIGNER
KONGSAK YUKTASEVI
KARUNA SUDACHIT

APPROVED BY

DRAWN BY

RUNGTHIP

DATE

25 JAN 2019

DRAWING TITLE
MEZANINE FLOOR PLAN
POOL BAR

BF-02

DWG NO.

PB-4-03

SCALE

AS SHOWN

REV.

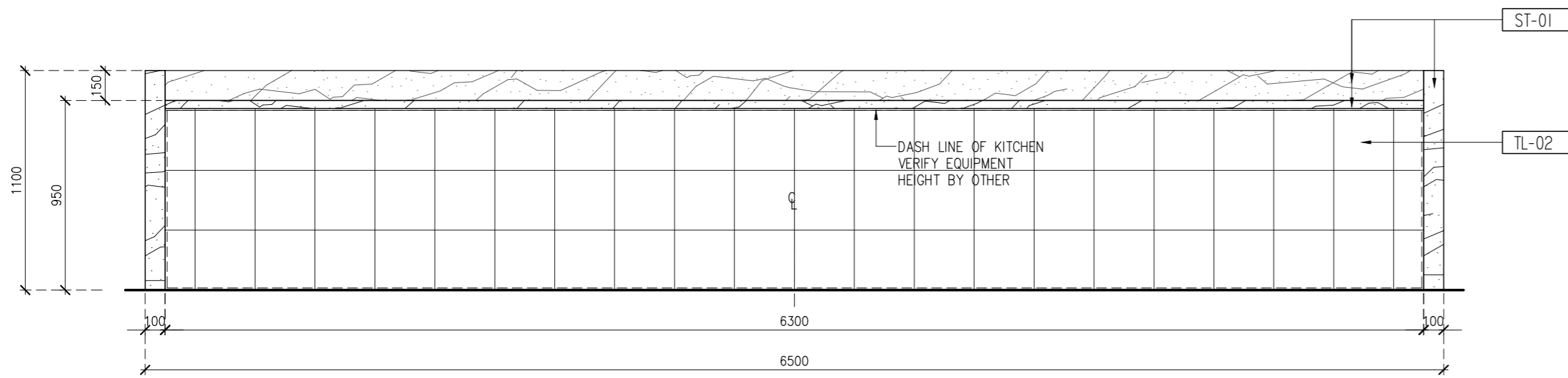
SIZE
A2

INTERIOR ARCHITECTURE
DESIGNER

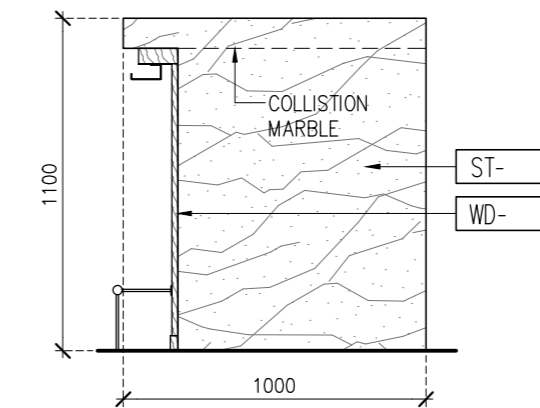
LEONTER

LEO INTERNATIONAL DESIGN GROUP CO., LTD.
39th FLOOR, OCEAN TOWER 2
75/108-109 SUKHUMVIT 19 ROAD KLONGTOEY NUA,
VADHANA, BANGKOK 10110, THAILAND
TEL : +66 (0) 22617733
FAX : +66 (0) 22617734
E-MAIL : lidg@lidg.co.th
www.lidg.co.th

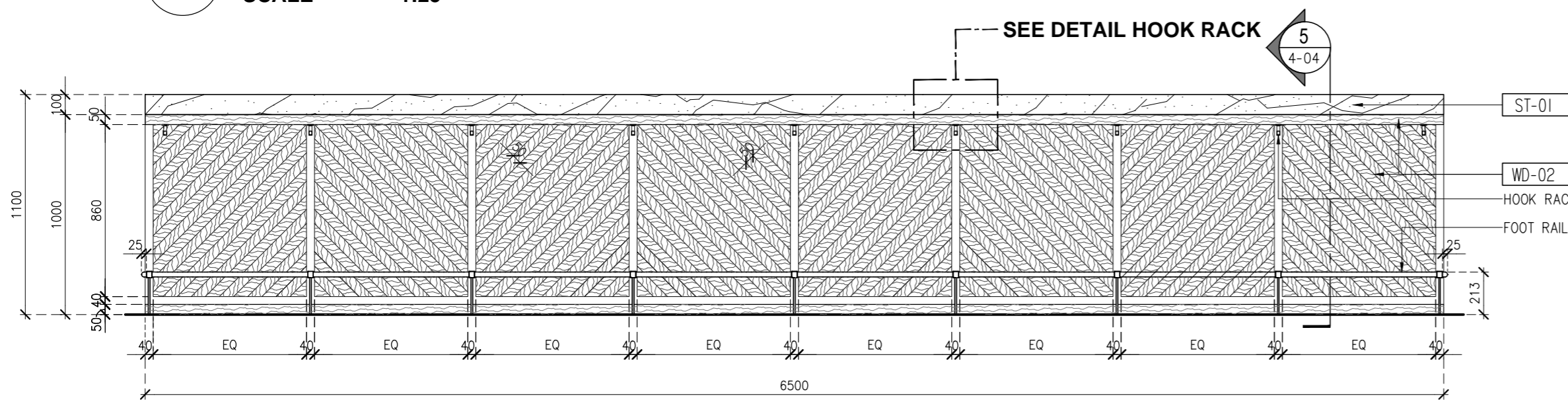
ALL DESIGNS ARE THE PROPERTY OF LEO INTERNATIONAL DESIGN GROUP AND CANNOT BE USED WITHOUT THEIR WRITTEN PERMISSION. DO NOT SCALE DRAWINGS AND ALL MEASUREMENTS MUST BE CHECKED AT THE SITE BY CONTRACTOR



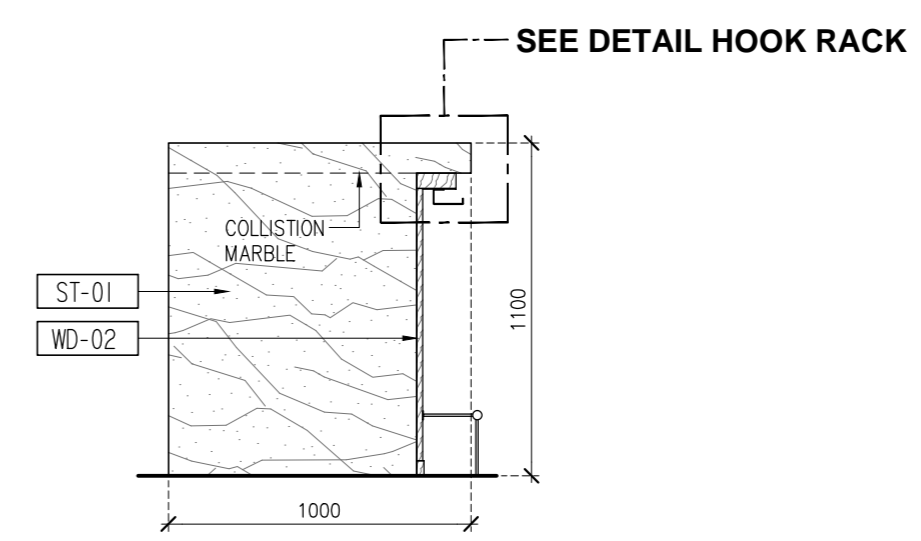
2
BF-02
ELEVATION
SCALE 1:25



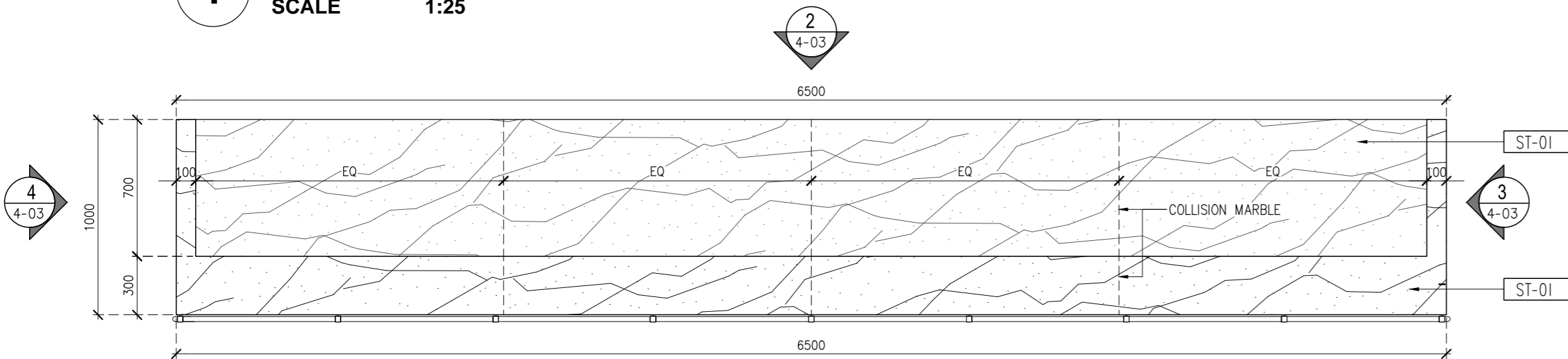
3
BF-02
ELEVATION
SCALE 1:25



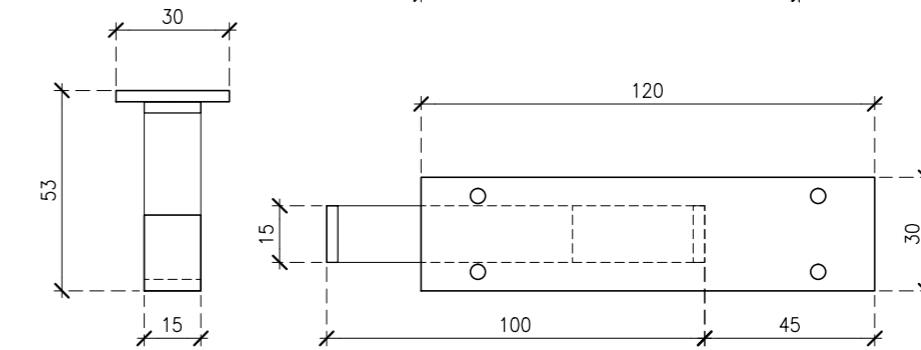
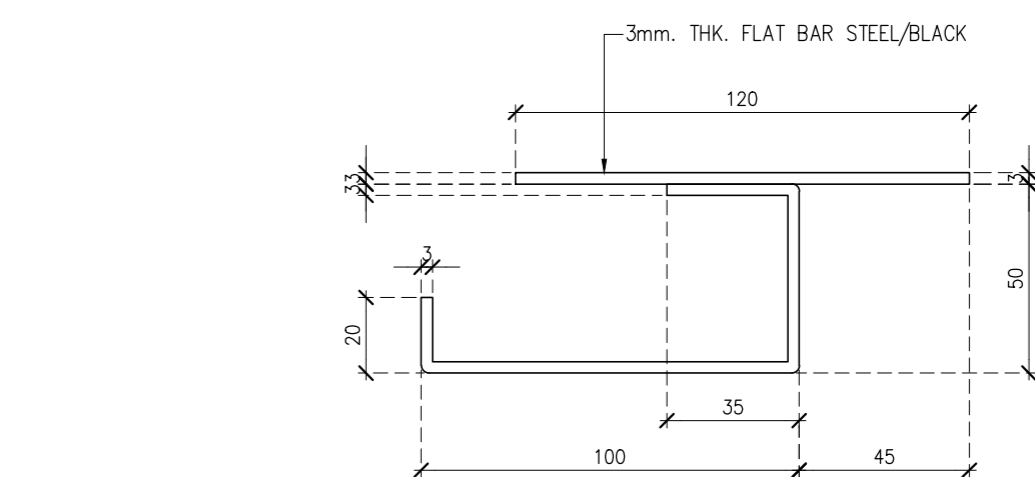
1
BF-02
ELEVATION
SCALE 1:25



4
BF-02
ELEVATION
SCALE 1:25

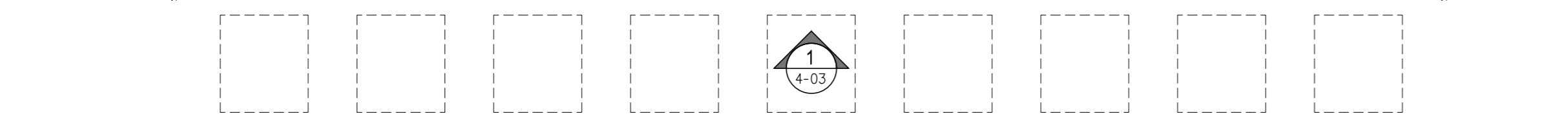


3
BF-02
ELEVATION
SCALE 1:25

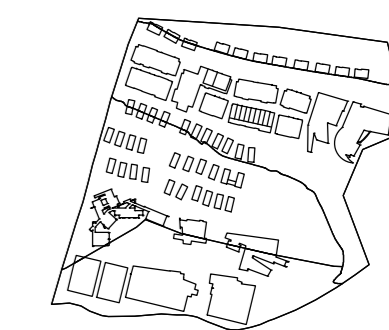


HOOK RACK
SCALE 1:2

**BF-02
PLAN**
SCALE 1:25



KEY PLAN



REVISION

Rev No.	Revision Note	Date

CLIENT'S APPROVAL

PROJECT DESIGNER
KONGSAK YUKTASEVI
KARUNA SUDACHIT

APPROVED BY

DRAWN BY

RUNGTHIP

DATE

25 JAN 2019

DRAWING TITLE
MEZANINE FLOOR PLAN
POOL BAR

SECTION 5 , DETAIL 5.1

DWG NO.

PB-4-04

SCALE

AS SHOWN

REV.

SIZE

A2

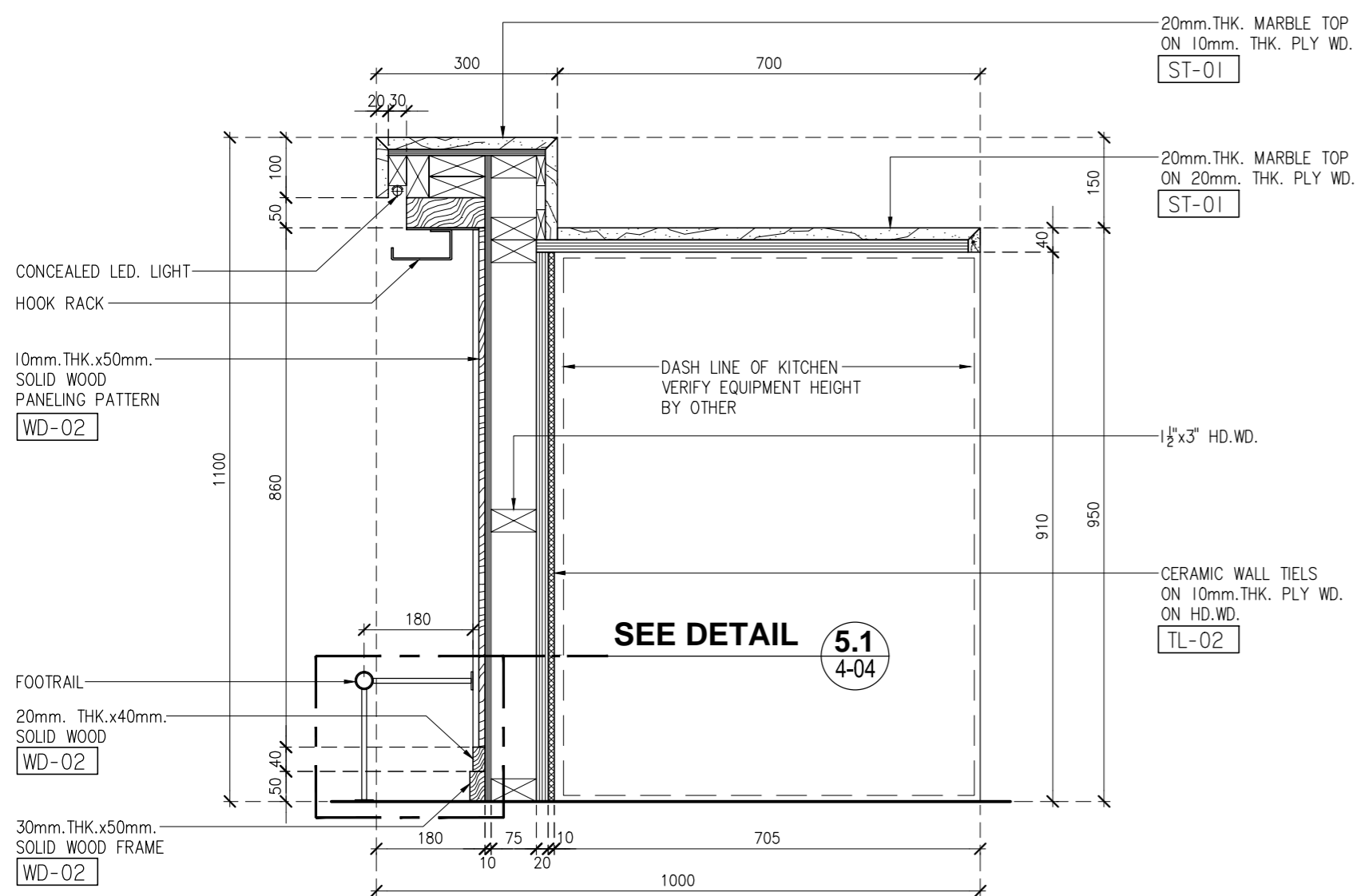
INTERIOR ARCHITECTURE

DESIGNER

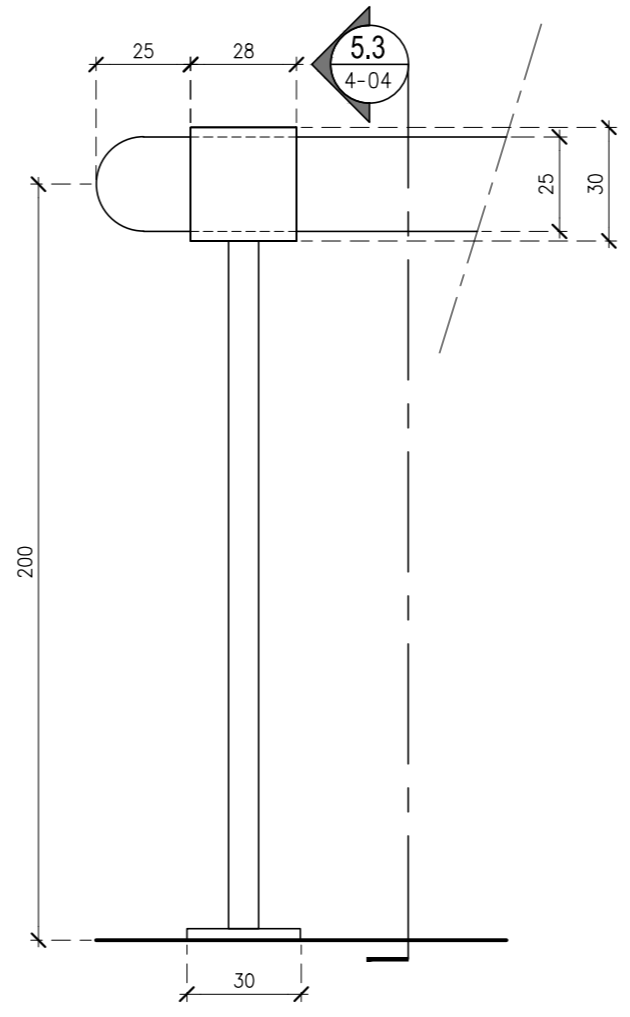
LEONTER

LEO INTERNATIONAL DESIGN GROUP CO., LTD.
39th FLOOR, OCEAN TOWER 2
75/108-109 SUKHUMVIT 19 ROAD KLONGTOEY NUA,
VADHANA, BANGKOK 10110, THAILAND
TEL : +66 (0) 22617733
FAX : +66 (0) 22617734
E-MAIL : lidg@lidg.co.th
www.lidg.co.th

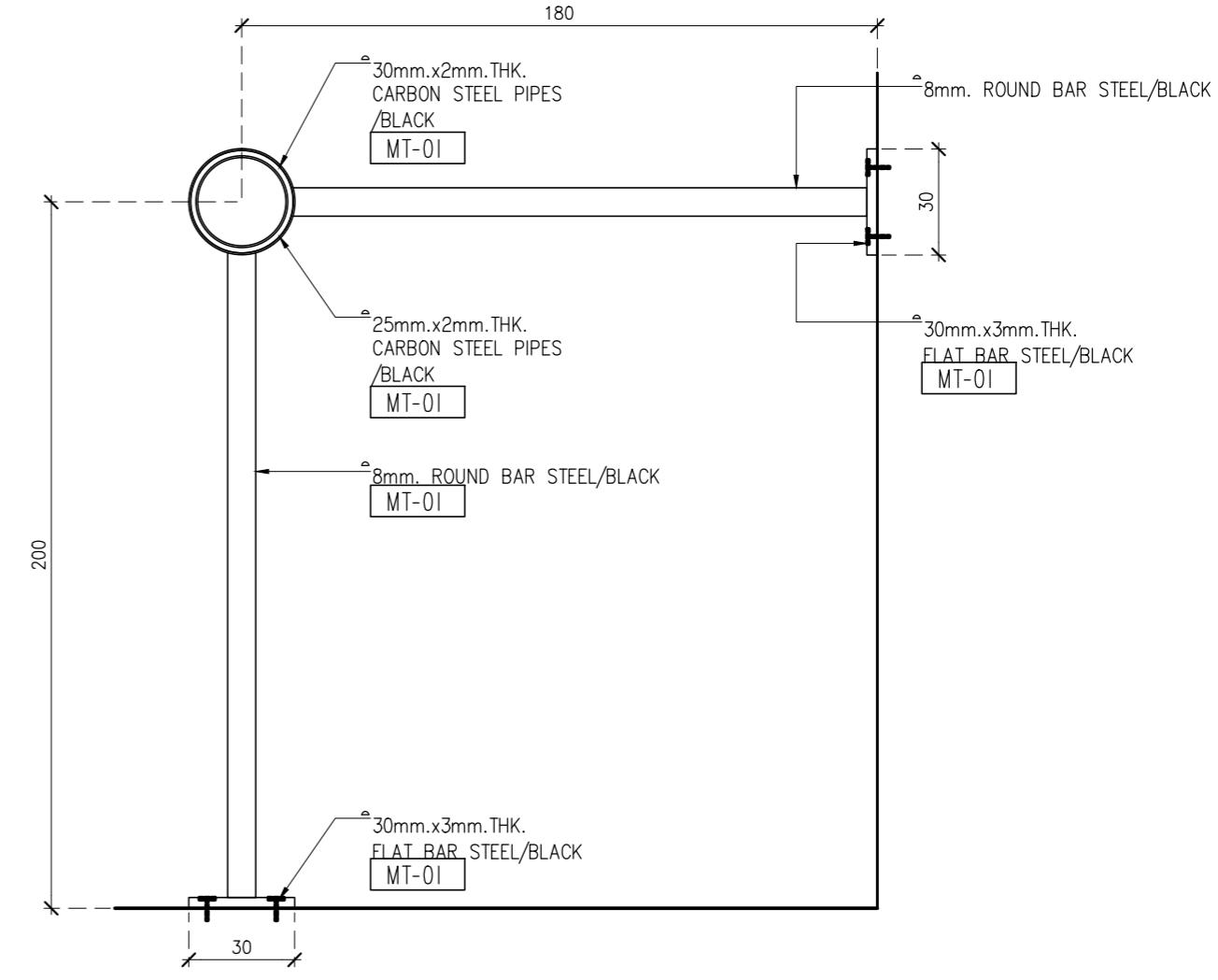
ALL DESIGNS ARE THE PROPERTY OF LEO INTERNATIONAL DESIGN GROUP AND CANNOT BE USED WITHOUT THEIR WRITTEN PERMISSION. DO NOT SCALE DRAWINGS AND ALL MEASUREMENTS MUST BE CHECKED AT THE SITE BY CONTRACTOR



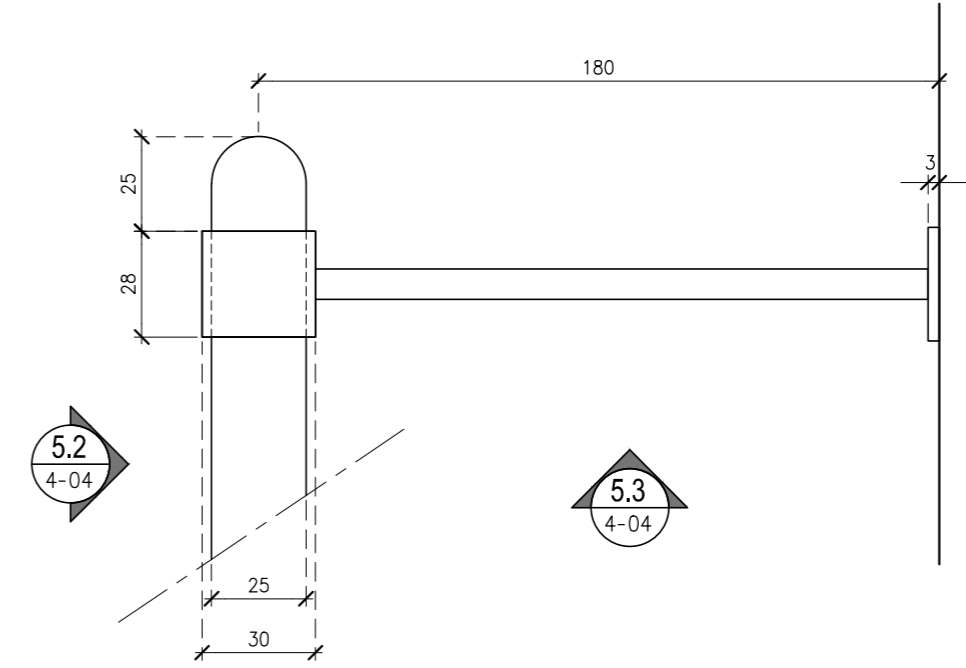
5 BF-02 SECTION
SCALE 1:10



5.2 PARTIAL ELEVATION
SCALE 1:2

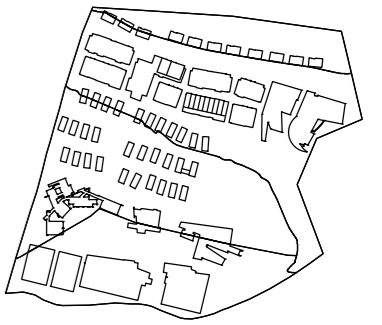


5.3 SECTION
SCALE 1:2



5.1 PLAN
SCALE 1:2

KEY PLAN



REVISION

Rev No.	Revision Note	Date

CLIENT'S APPROVAL

PROJECT DESIGNER
KONGSAK YUKTASEVI
KARUNA SUDACHIT

APPROVED BY

DRAWN BY

RUNGTHIP

DATE

25 JAN 2019

DRAWING TITLE
MEZANINE FLOOR PLAN
POOL BAR

BF-04

DWG NO.

PB-4-07

SCALE

AS SHOWN

REV.

SIZE

A2

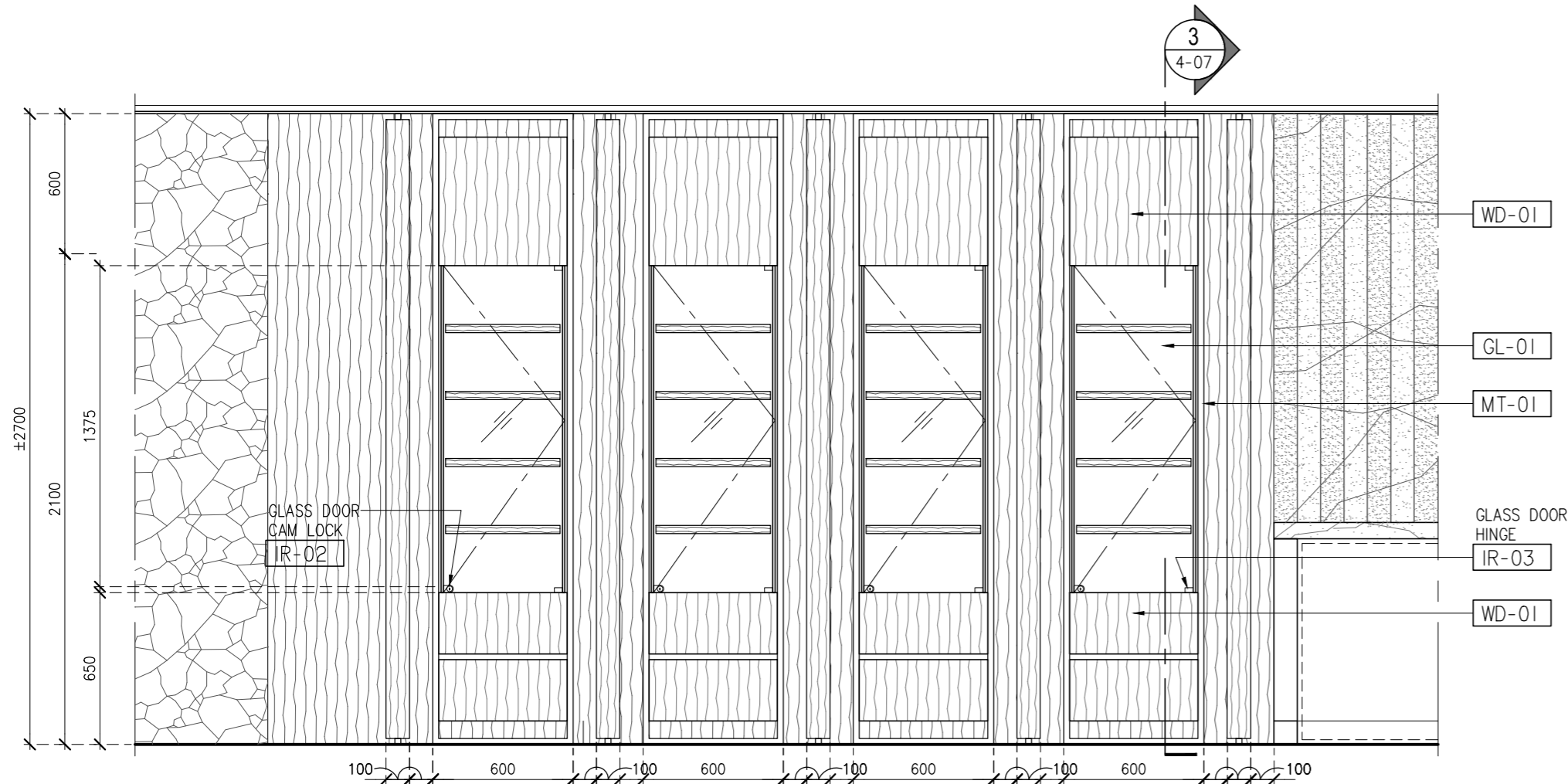
INTERIOR ARCHITECTURE

DESIGNER

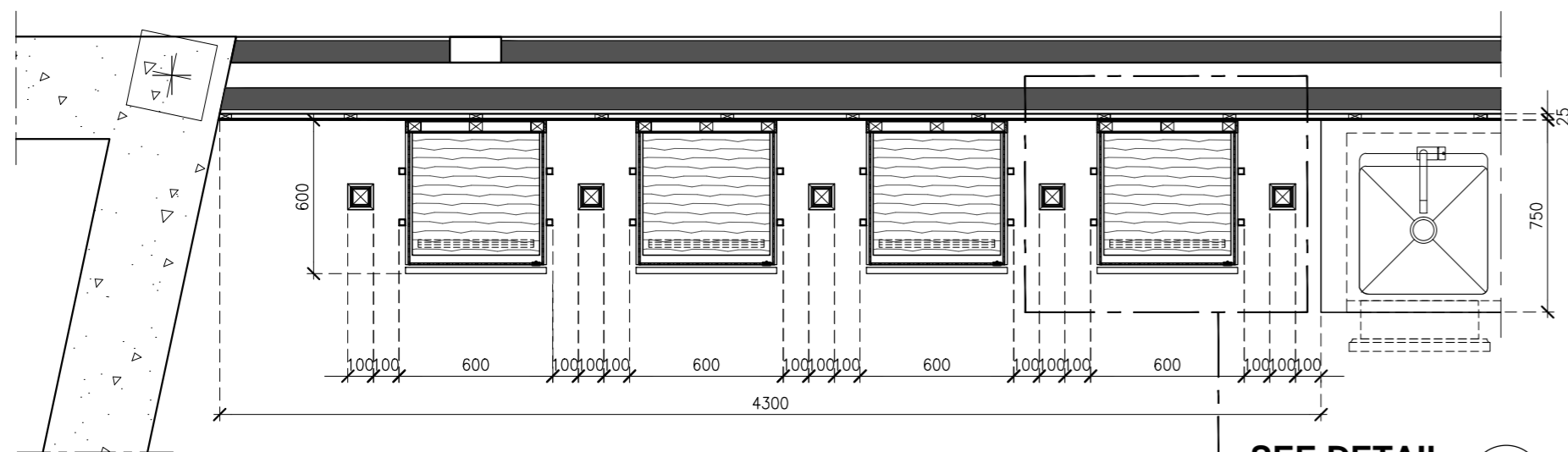
LEONTER

LEO INTERNATIONAL DESIGN GROUP CO., LTD.
39th FLOOR, OCEAN TOWER 2
75/108-109 SUKHUMVIT 19 ROAD KLONGTOEY NUA,
VADHANA, BANGKOK 10110, THAILAND
TEL : +66 (0) 22617733
FAX : +66 (0) 22617734
E-MAIL : lidg@lidg.co.th
www.lidg.co.th

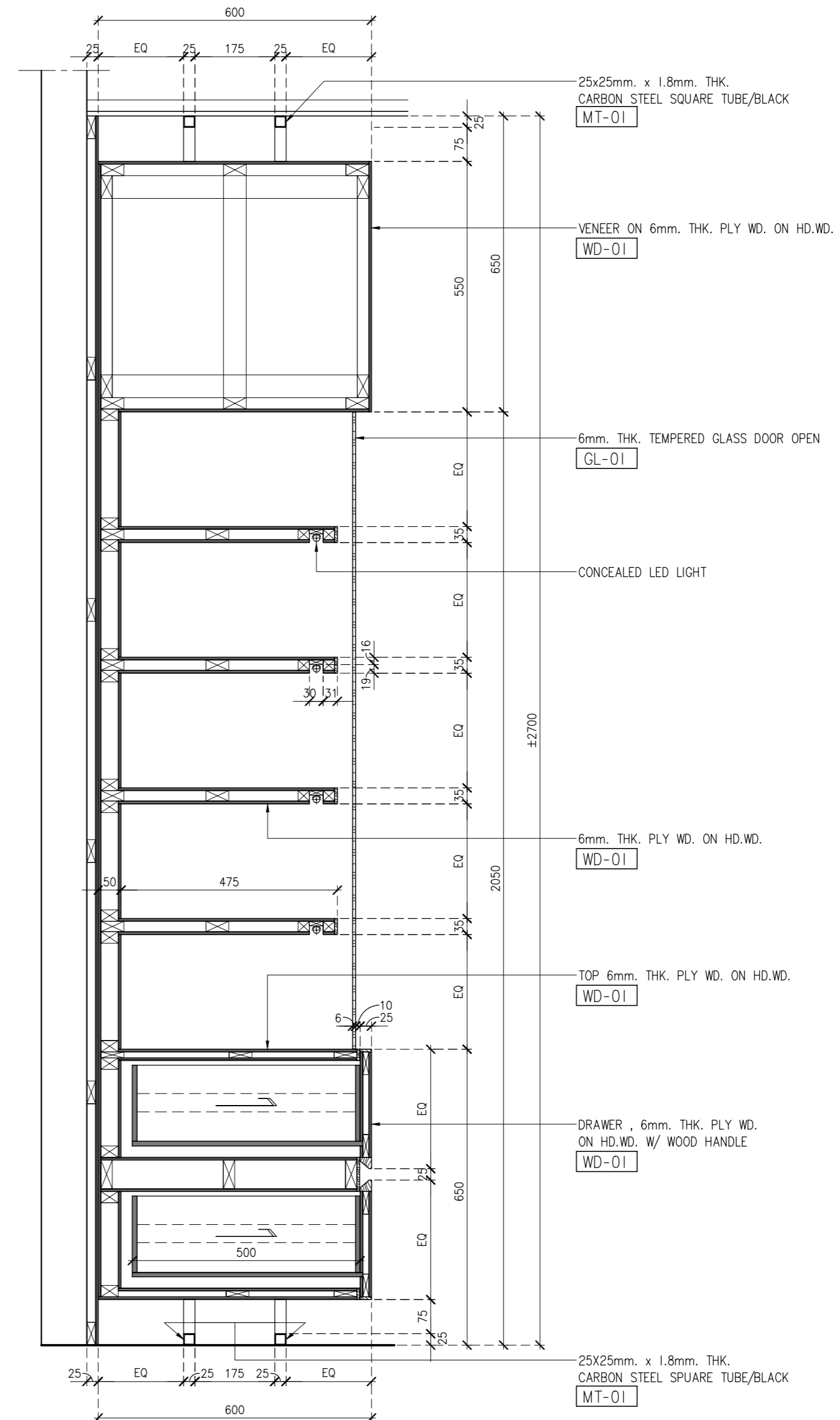
ALL DESIGNS ARE THE PROPERTY OF LEO INTERNATIONAL DESIGN GROUP AND CANNOT BE USED WITHOUT THEIR WRITTEN PERMISSION. DO NOT SCALE DRAWINGS AND ALL MEASUREMENTS MUST BE CHECKED AT THE SITE BY CONTRACTOR



1 BF-04
PARTIAL ELEVATION
SCALE 1:25



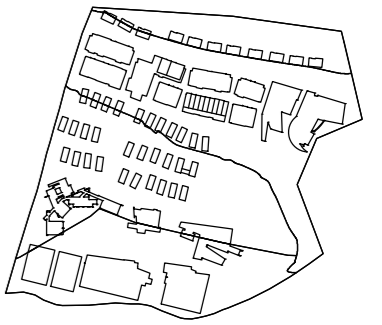
2 BF-04
PLAN
SCALE 1:25



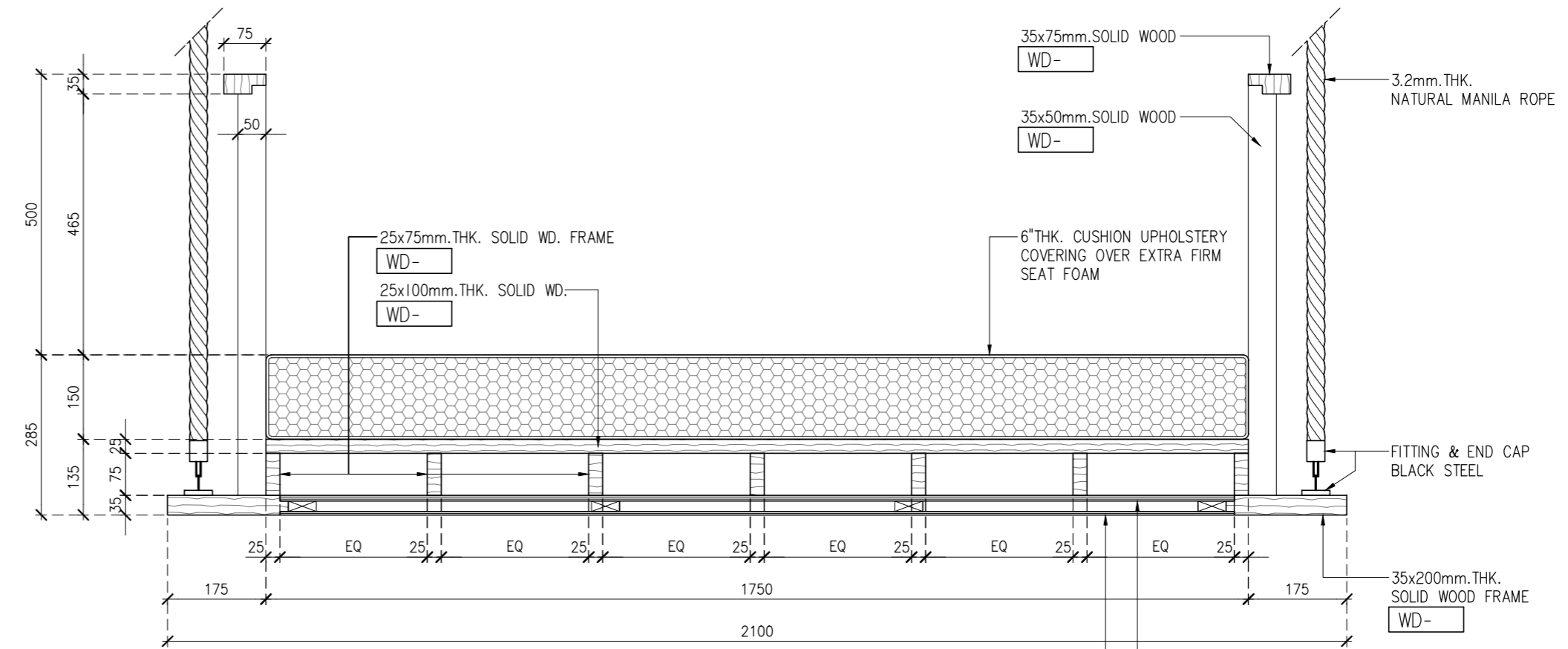
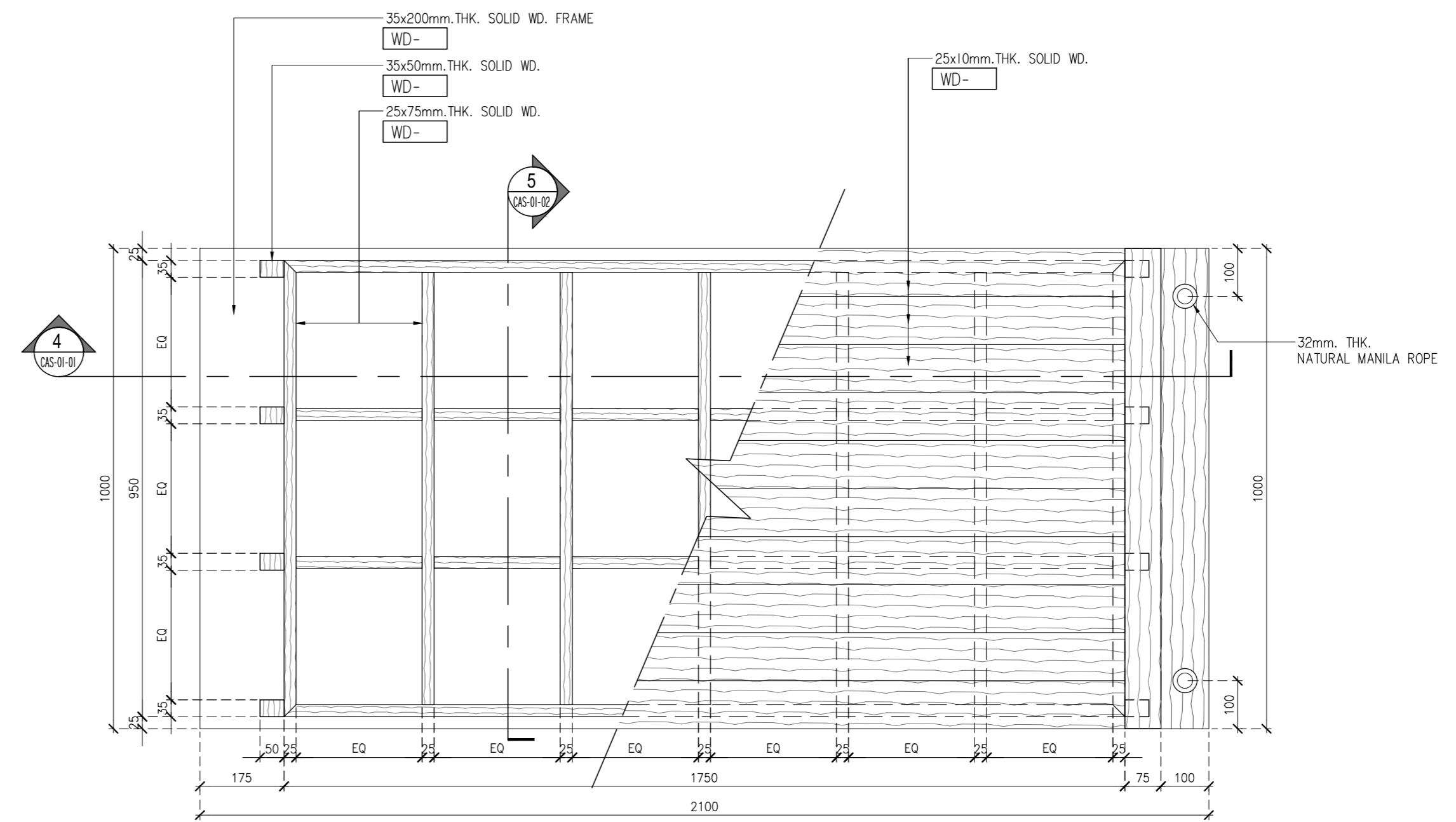
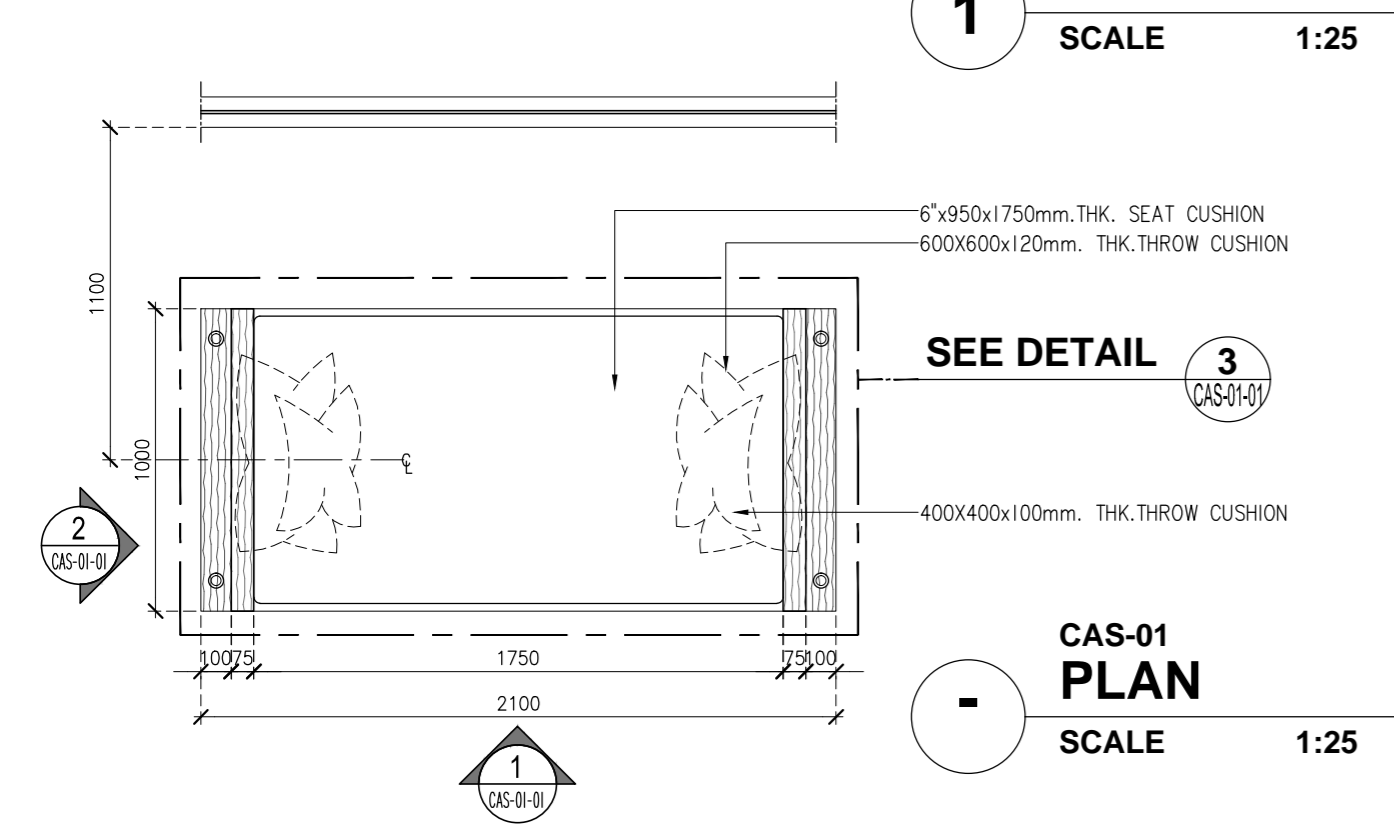
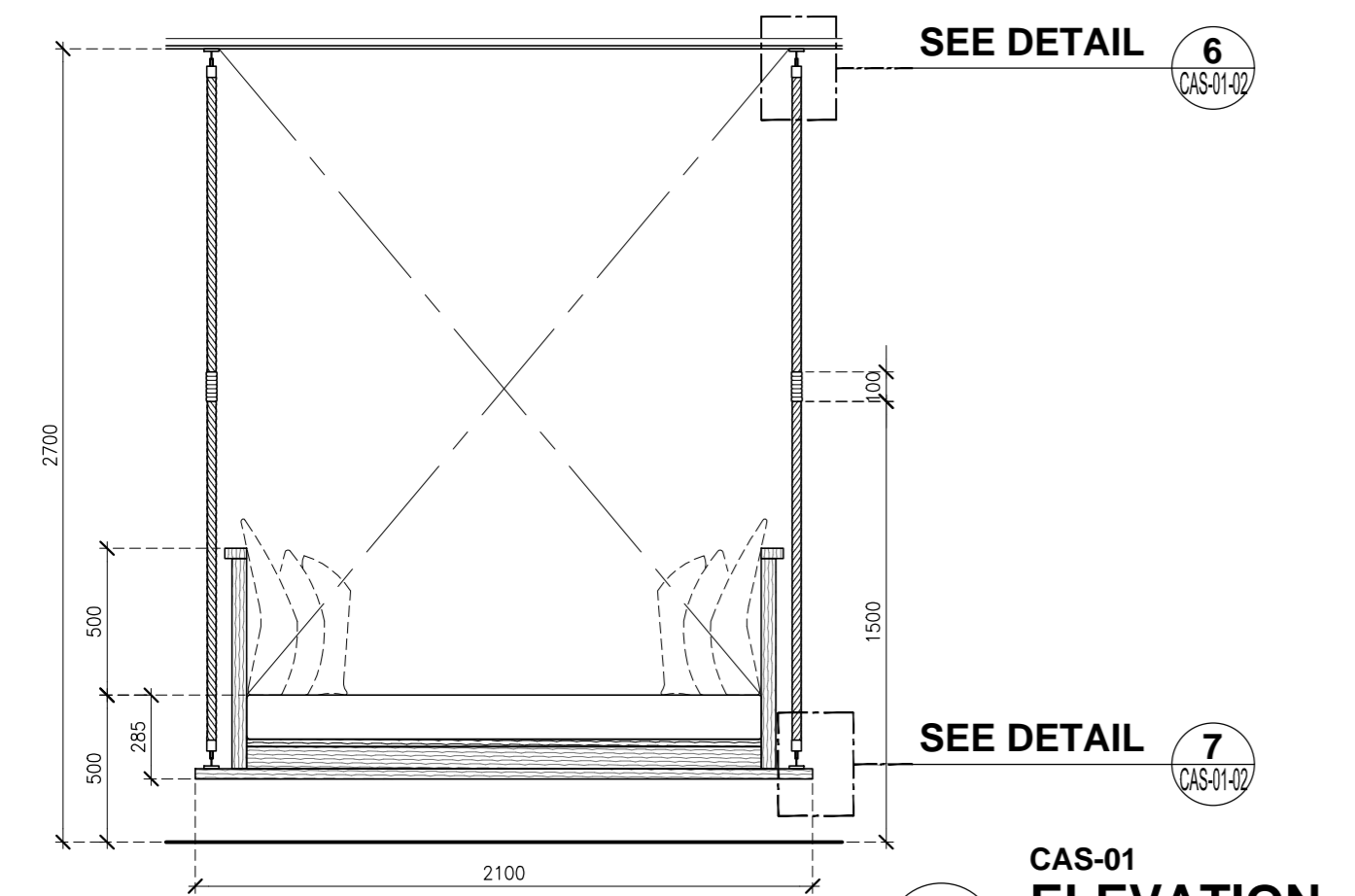
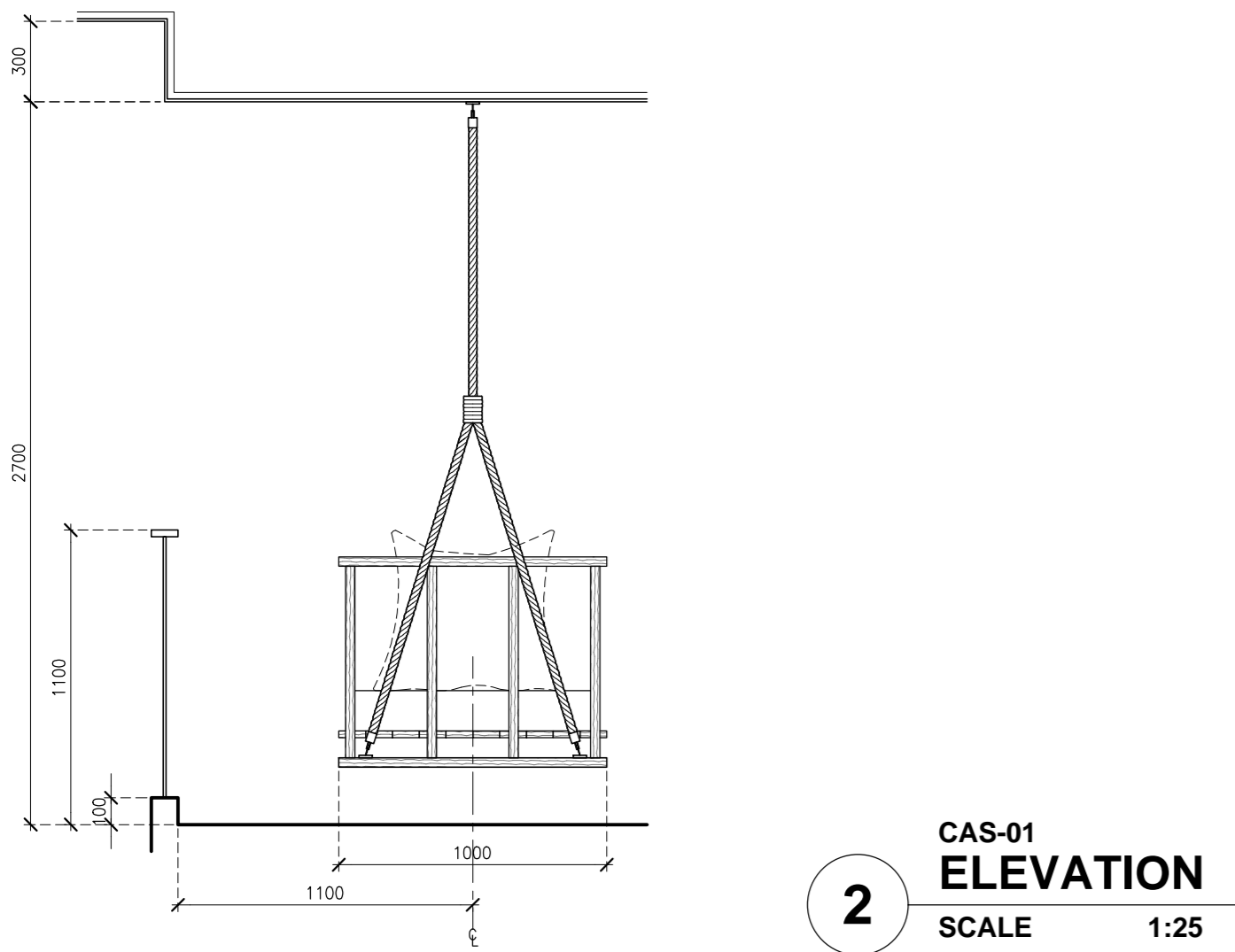
3 BF-04
SECTION
SCALE 1:10

3
4-07

SEE DETAIL
4
4-08



Rev No.	Revision Note	Date
01	FOR INFORMATION	DD MMM YYYY
T1	FOR TENDER	DD MMM YYYY
C1	FOR CONSTRUCTION	DD MMM YYYY



2
CAS-01
ELEVATION
SCALE 1:25

SEE DETAIL **6**
CAS-01-02

SEE DETAIL **7**
CAS-01-02

1
CAS-01
ELEVATION
SCALE 1:25

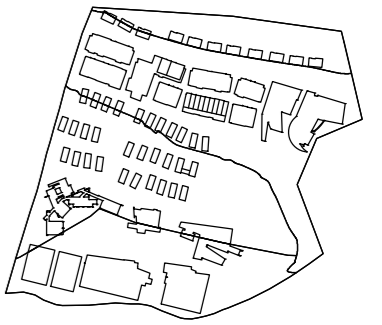
SEE DETAIL **3**
CAS-01-01

1
CAS-01-01

3
SEA-01
PLAN DETAIL
SCALE 1:10

4
SEA-01
SECTION
SCALE 1:10

KEY PLAN



REVISION

Rev No.	Revision Note	Date
O1	FOR INFORMATION	DD MMM YYYY
T1	FOR TENDER	DD MMM YYYY
C1	FOR CONSTRUCTION	DD MMM YYYY

CLIENT'S APPROVAL

PROJECT DESIGNER
KONGSAK YUKTASEVI
KARUNA SUDACHIT

APPROVED BY

DRAWN BY

RUNGTHIP

DATE

25 JAN 2019

DRAWING TITLE
MEZANINE FLOOR PLAN
POOL BAR

DETAIL 2

DWG NO.

CAS-01-02

SCALE

AS SHOWN

REV.

SIZE

A2

INTERIOR ARCHITECTURE

DESIGNER

LEONTER

LEO INTERNATIONAL DESIGN GROUP CO., LTD.
39th FLOOR, OCEAN TOWER 2
75/108-109 SUKHUMVIT 19 ROAD KLONGTOEY NUA,
VADHANA, BANGKOK 10110, THAILAND
TEL : +66 (0) 22617733
FAX : +66 (0) 22617734
E-MAIL : lidg@lidg.co.th
www.lidg.co.th

ALL DESIGNS ARE THE PROPERTY OF LEO INTERNATIONAL DESIGN GROUP AND CANNOT BE USED WITHOUT THEIR WRITTEN PERMISSION. DO NOT SCALE DRAWINGS AND ALL MEASUREMENTS MUST BE CHECKED AT THE SITE BY CONTRACTOR

