

RESIDENTIAL



THE EN^S
NIGHT

tel : +66 (0)87 542 1200 mail : theendisnightteam@gmail.com

Stylish and
Decorations
with interior
vision and
experience.

RESIDENTIAL

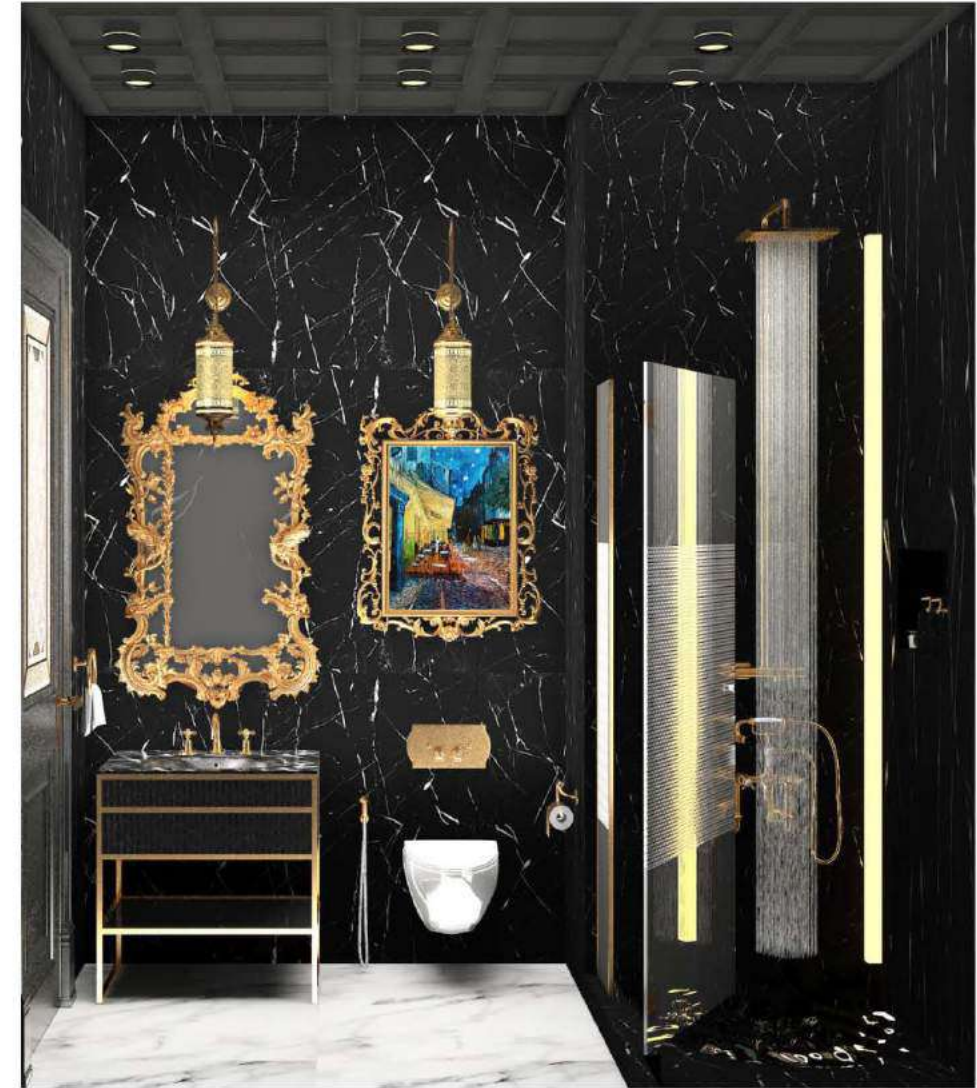


THE EN^S
NIGHT

tel : +66 (0)87 542 1200 mail : theendisnightteam@gmail.com

Stylish and
Decorations
with interior
vision and
experience.

RESIDENTIAL



THE EN^S
NIGHT

tel : +66 (0)87 542 1200 mail : theendisnightteam@gmail.com

Stylish and
Decorations
with interior
vision and
experience.

RESIDENTIAL





tel. : 087-542-1200

mail : nuttapon_sira@hotmail.com

Stylish and
Decorations
with interior
vision and
experience



RESIDENTIAL + COFFEE SHOP



tel. : 087-542-1200

mail : nuttapong_sira@hotmail.com



SHOP & COMMERCIAL



Stylish and
Decorations
with interior
vision and
experience



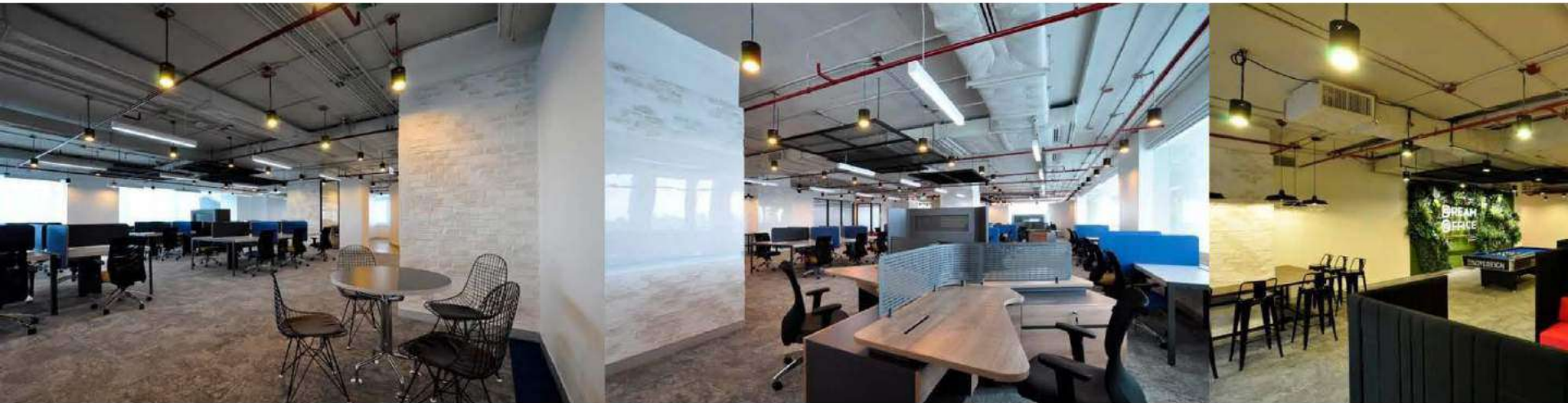
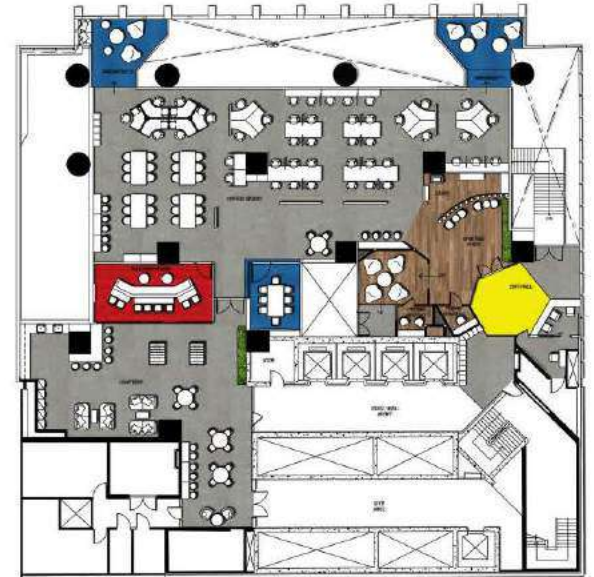
Stylish and
Decorations
with interior
vision and
experience



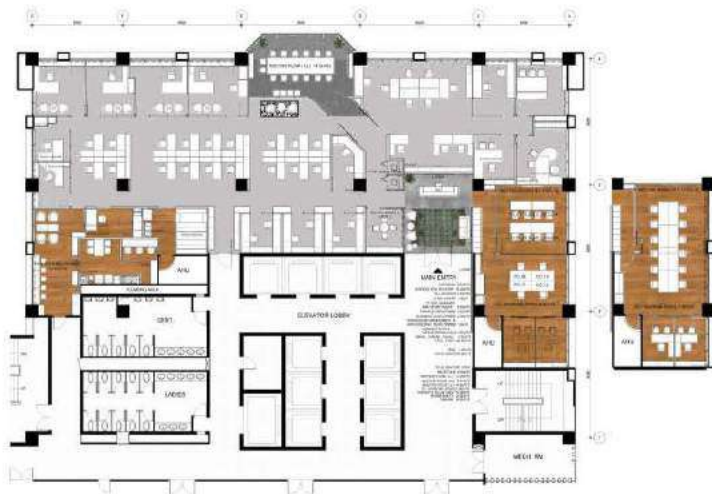
Stylish and
Decorations
with interior
vision and
experience



OFFICE



OFFICE



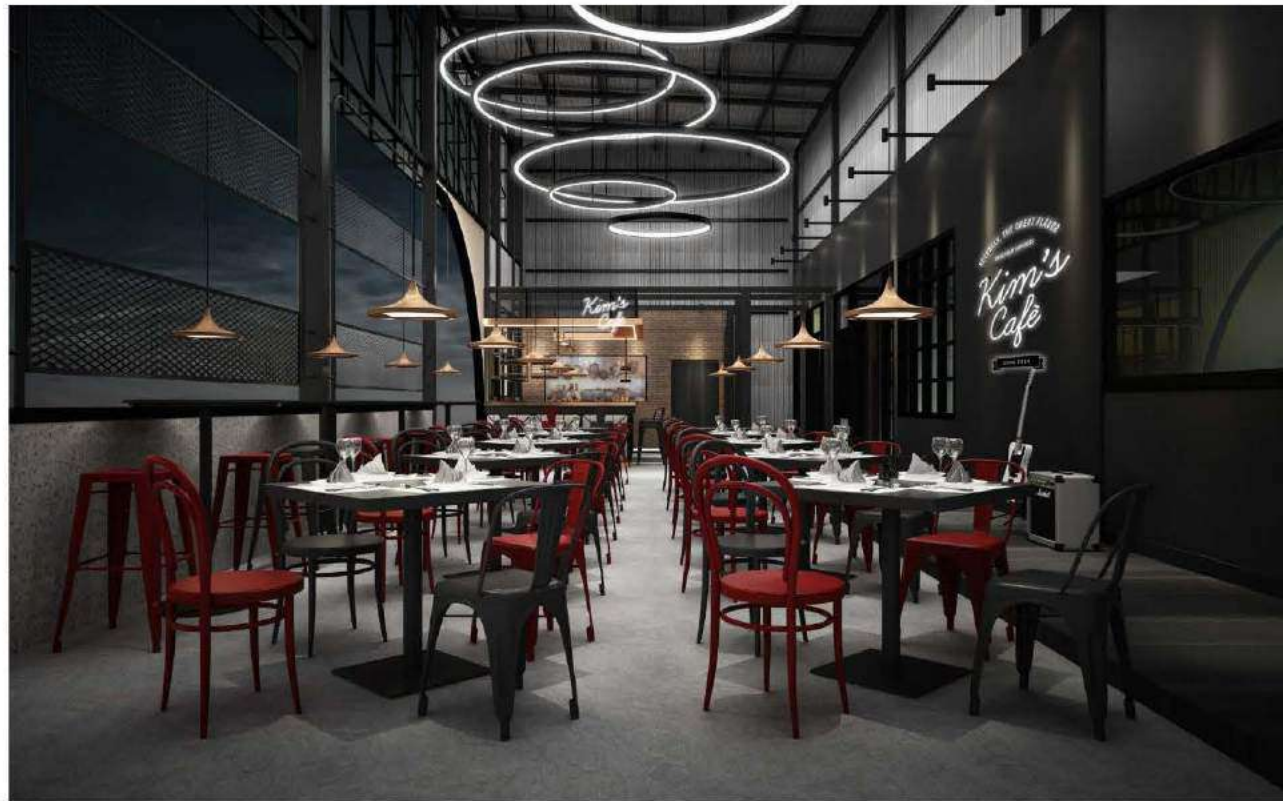
CLINIC



CLINIC



RESTAURANT



Kim's cafe
Bar &
Restaurant



RESORT , HOTEL



Stylish and
Decorations
with interior
vision and
experience



Stylish and
Decorations
with interior
vision and
experience

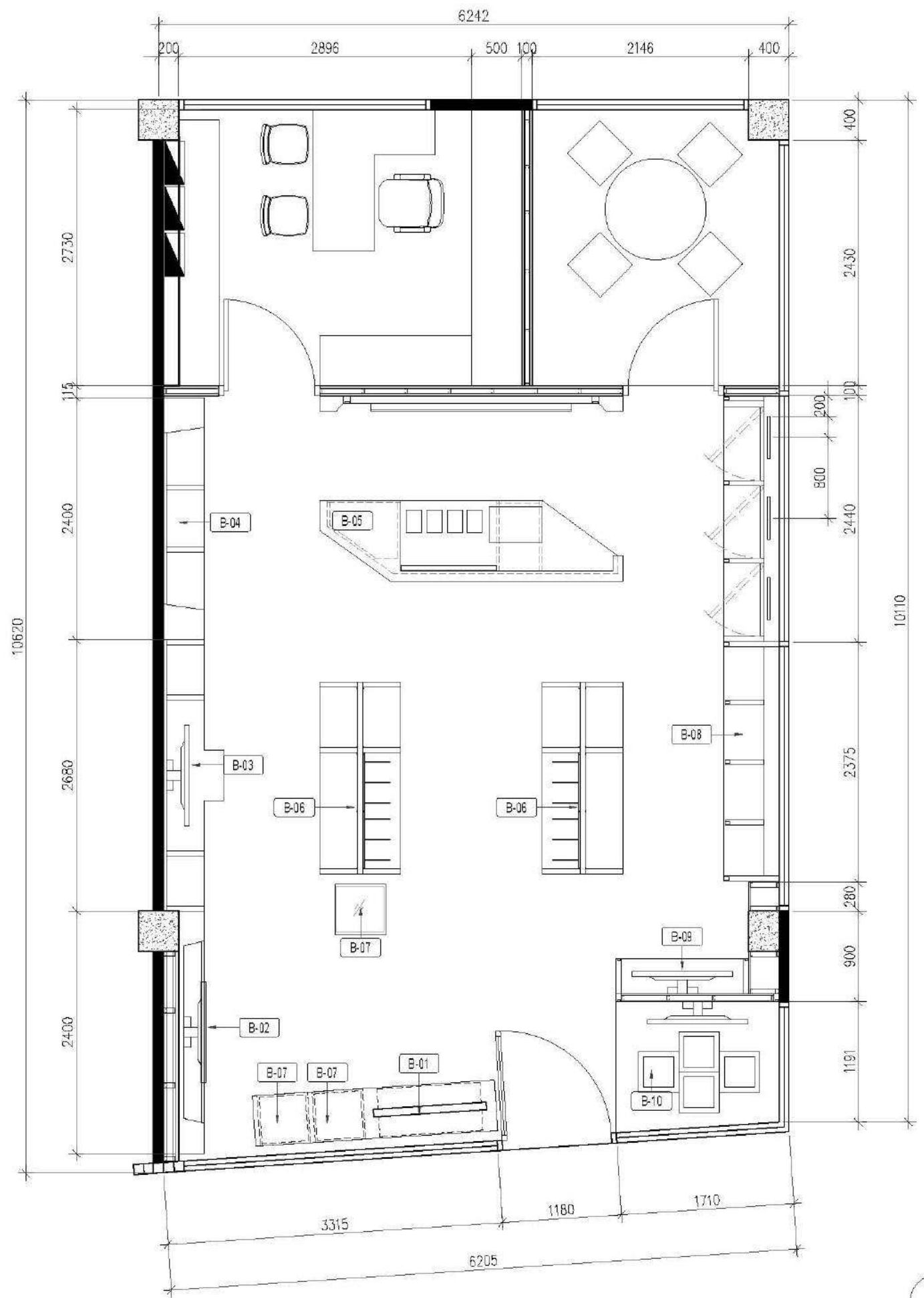


tel. : 087-542-1200

mail : nuttapong_sira@hotmail.com

Stylish and
Decorations
with interior
vision and
experience

THE EN^S
NIGHT | Design and
Decorations



1 FURNITURE LAYOUT PLAN
 ID-101 SCALE 1:50

WVK "Design Solutions"
 T 66(0)2 214 8 750
 F 66(0)2 214 8 755
 M 66(0)99 761 1 447

PHAYATHAI PLAZA 128/116 11th FL.
 ZONE C, PHAYATHAI ROAD
 THUNG-PHAYATHAI, RAIDHEVEE,
 BANGKOK 10400, THAILAND
 WWW.WVKGROUP.COM

Project

**Showroom
 Play Station**

Owner

คุณสุกิตติ แซ่เตี๋ย

Location

Im Park, Samyan, BANGKOK,
 THAILAND

Keyplan

REV.	DESCRIPTION	DATE

DRAWING TITLE

FURNITURE LAYOUT PLAN

DRAWN BY	CHECK BY	DATE	TOTAL
WVK	WVK	21.03.61	
CAD FILE NAME	SCALE	PROJECT NO.	
TH18-001_E-01-HUMIDERS	1:50 @ A3	TH18-002	

DRAWING NUMBER

ID-101

©COPYRIGHT 2018 PLOT DATE: 30.03.2061

The design as presented in this drawing is the property of WVK Group Co., Ltd. and must not be re-issued, copied or reproduced without written permission from WVK Group Co., Ltd. This drawing must not be used for construction prior to WVK approval of shop drawings.

FOR CONSTRUCTION

Project

**Showroom
Play Station**

Owner

คุณสุกิตติ แซ่เตี๋ย

Location

Im Park, Samyan, BANGKOK,
THAILAND

Keyplan

REV.	DESCRIPTION	DATE

DRAWING TITLE

REFLECTED CEILING PLAN

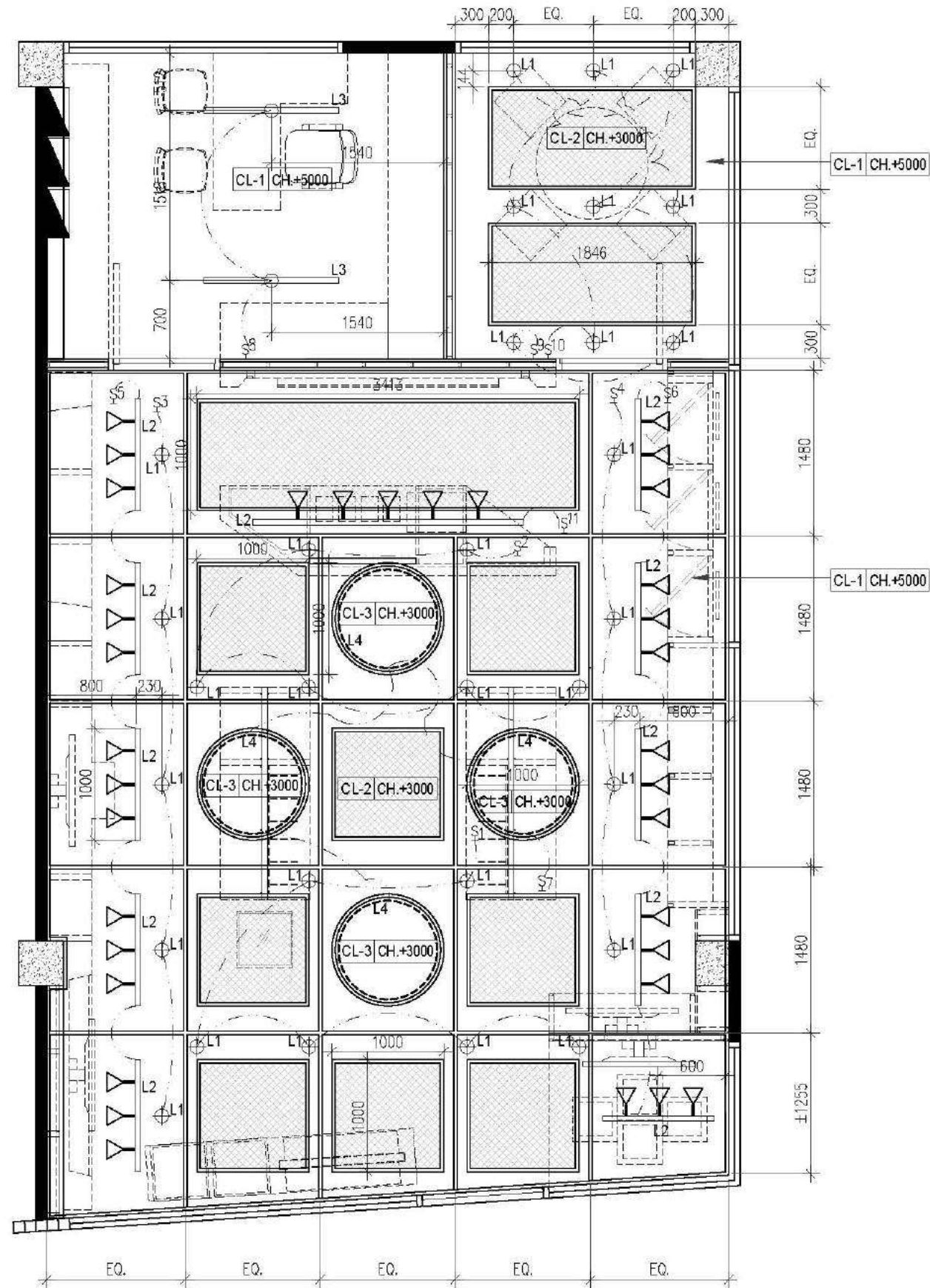
DRAWN BY	CHECK BY	DATE	TOTAL
WVK	WVK	21.03.61	
CAD FILE NAME	SCALE	PROJECT NO.	
TH1P-001_01-CEILING	1:50 @ A3	TH1P-002	

DRAWING NUMBER

ID-102

©COPYRIGHT 2018 PLOT DATE: 30.03.2061

The design as presented in this drawing is the property of WVK Group Co., Ltd. and must not be re-issued, copied or reproduced without written permission from WVK Group Co., Ltd. This drawing must not be used for construction prior to WVK approval of shop drawings.

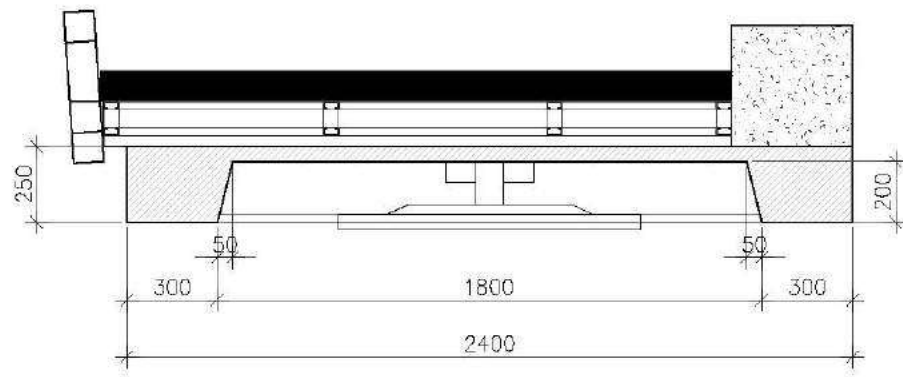


LIGHTING SCHEDULE		
SYMBOLS	NO.	DESCRIPTION
⊕	L1	DOWNLIGHT PL 22w. (8")
⌒	L2	TRACK LIGHT
—○—	L3	FLUORESCENT 36w.
—	L4	LED STRIP LIGHT

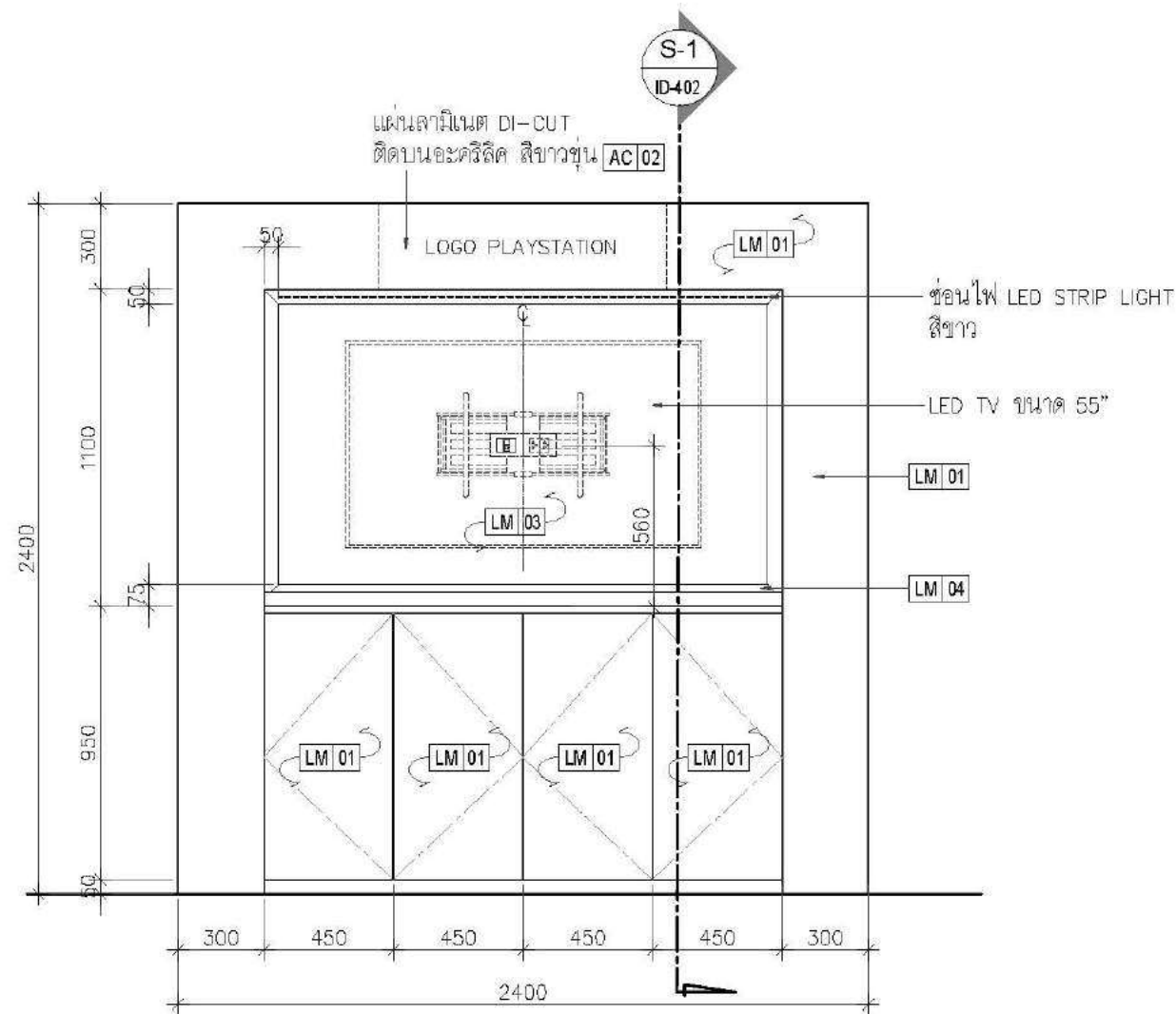
CEILING FINISH LEGEND		
SYMBOLS	DESCRIPTION	FINISHING
CL-1	ท้องพื้นทาสีเทาตัว	
CL-2	ฝ้าแขวนระแนงเหล็กฉีกพร้อมโครงเหล็กทำสีดำด้าน	
CL-3	กล่องไฟแขวนติดสติ๊กเกอร์ตามแบบ	

1 REFLECTED CEILING PLAN
ID-102 SCALE 1:50

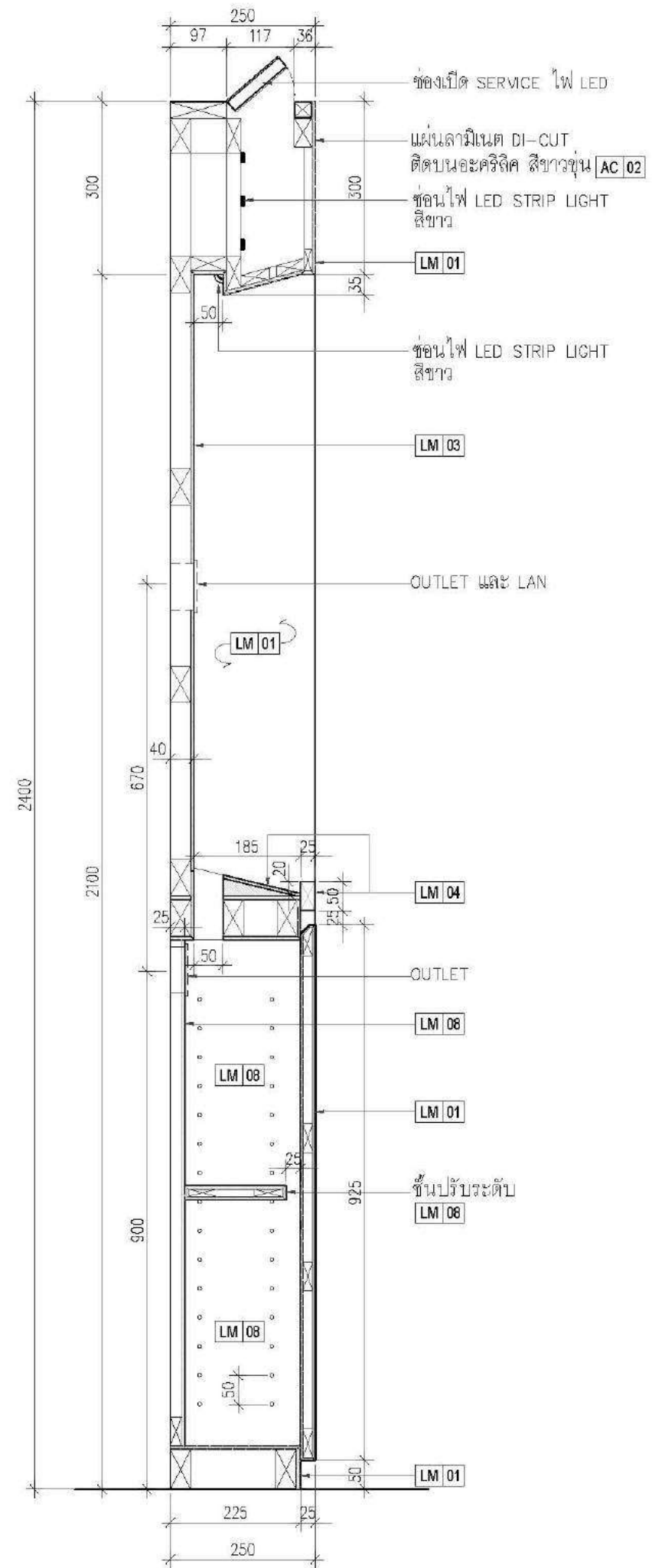
FOR CONSTRUCTION



PLAN BF-02
ID-402 SCAL 1/25



FRONT
ID-402 SCAL 1/25



S-1 SECTION
ID-402 SCAL 1/10

FOR CONSTRUCTION



T 66(0)2 214 8 750
F 66(0)2 214 8 755
M 66(0)99 761 1 447

PHAYATHAI PLAZA 128/116 111h FL.
ZONE C, PHAYATHAI ROAD
THUNG-PHAYATHAI, RAIDHEVEE,
BANGKOK 10400, THAILAND
WWW.WVKGROUP.COM

Project

Showroom
Play Station

Owner

คุณสุกิตติ แซ่เตี๋ย

Location

Im Park, Samyan, BANGKOK,
THAILAND

Keyplan

REV.	DESCRIPTION	DATE

DRAWING TITLE

BUILT IN 02

SECTION 1, 2

DRAWN BY	CHECK BY	DATE	TOTAL
WVK	WVK	21.03.61	-
CAD FILE NAME	SCALE	PROJECT NO.	
	AS NOTE	TH16-002	

DRAWING NUMBER

ID-402

©COPYRIGHT 2018 PLOT DATE: 30.03.2061

The design as presented in this drawing is the property of WVK Group Co., Ltd. and must not be re-issued, copied or reproduced without written permission from WVK Group Co., Ltd. This drawing must not be used for construction prior to WVK approval of shop drawings.

Project

**Showroom
Play Station**

Owner

คุณสุกิตติ แซ่เตี๋ย

Location

Im Park, Samyan, BANGKOK,
THAILAND

Keyplan

REV.	DESCRIPTION	DATE

DRAWING TITLE

BUILT IN 03

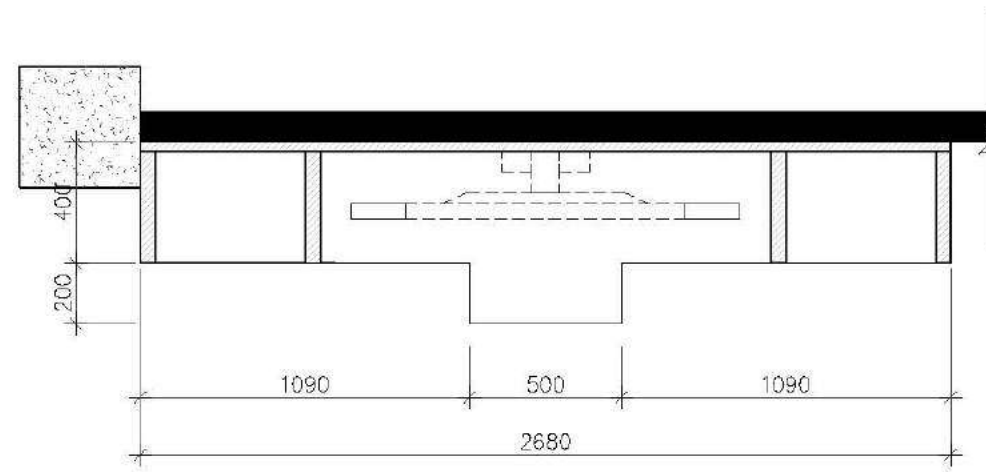
DRAWN BY	CHECK BY	DATE	TOTAL
WVK	WVK	21.03.61	-
CAD FILE NAME	SCALE	PROJECT NO.	
	1:25 @A3	TH16-002	

DRAWING NUMBER

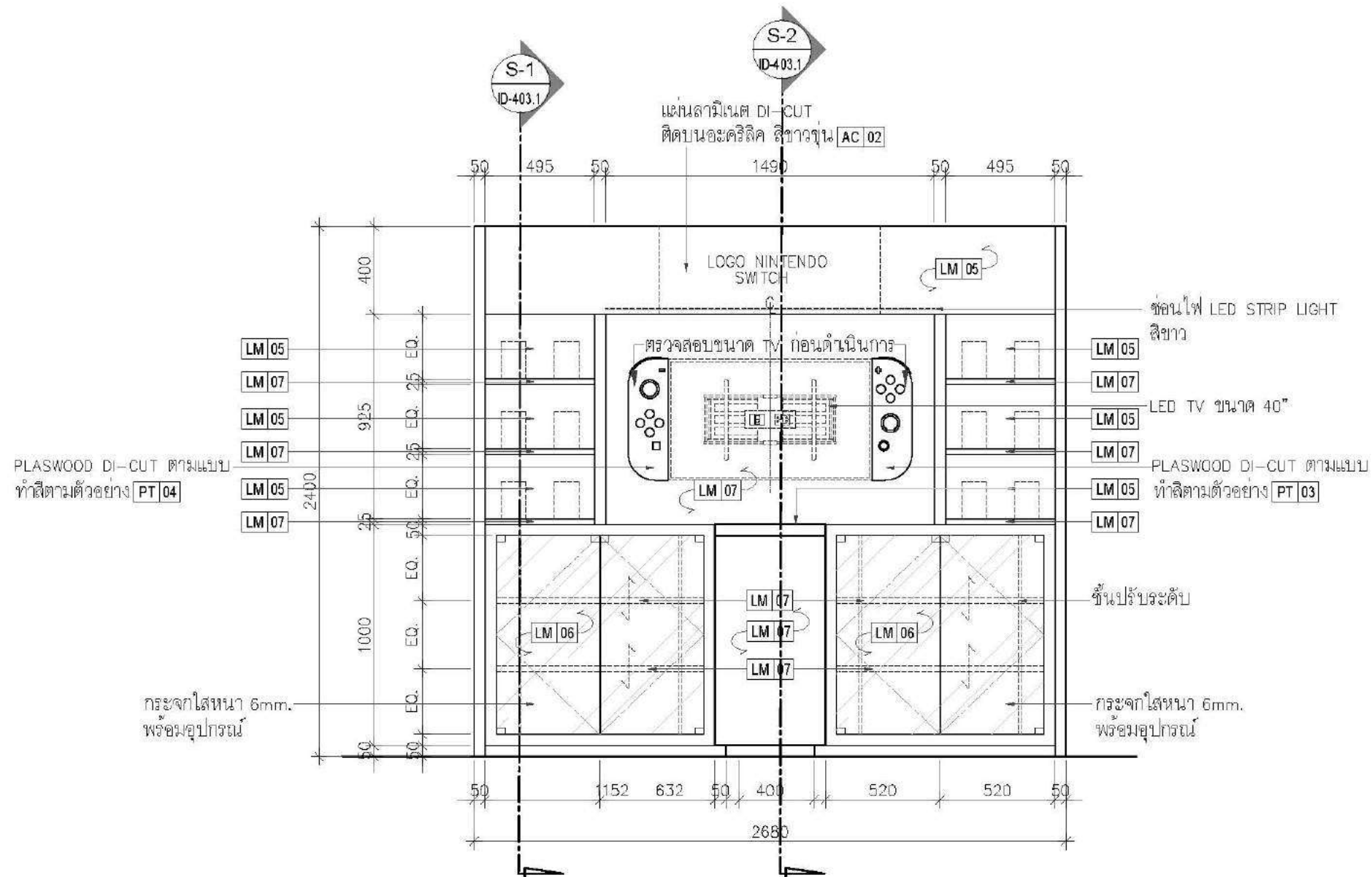
ID-403

©COPYRIGHT 2018 PLOT DATE: 30.03.2061

The design as presented in this drawing is the property of WVK Group Co., Ltd. and must not be re-issued, copied or reproduced without written permission from WVK Group Co., Ltd. This drawing must not be used for construction prior to WVK approval of shop drawings.

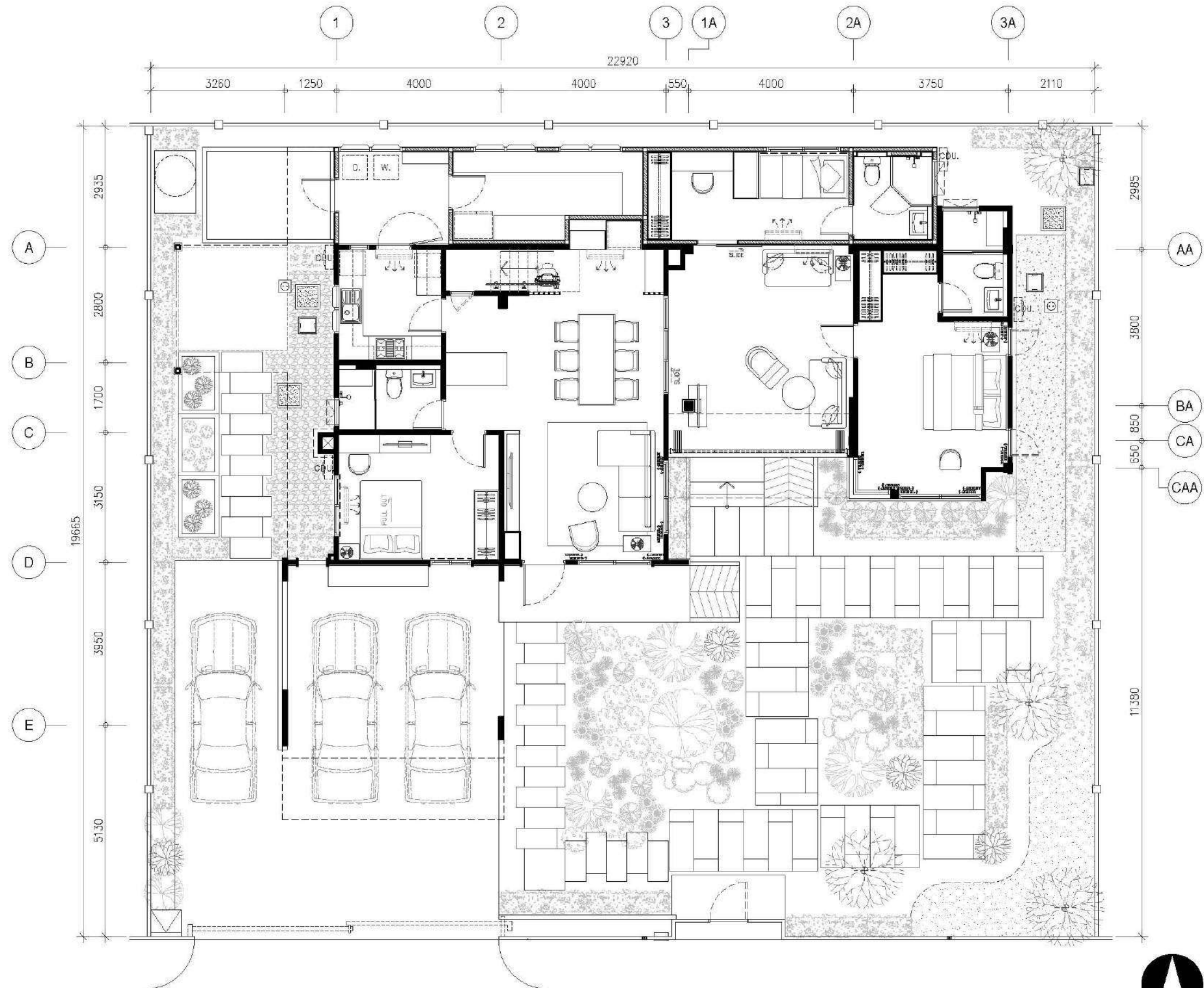


PLAN BF-03
ID-403 SCAL □ 1/25



FRONT
ID-403 SCAL □ 1/25

FOR CONSTRUCTION



1 1ST FLOOR : LANDSCAPE LAYOUT PLAN
 L-100 SCALE 1:100

WVK Design Solutions
 T 66(0)2 214 8 750
 F 66(0)2 214 8 755
 M 66(0)88 761 1 447

PHAYATHAI PLAZA 128/116 11th FL.
 ROOM C PHAYATHAI ROAD
 THUNG-PHAYATHAI, RAIHAYEE,
 BANGKOK 10400 THAILAND
 WWW.WVKGROUP.COM

Project

Khun Triphong
 Residence

Owner

Khun Triphong

Location
 มัดพันนา อ่างทอง- บางบ่อ
 , 172-71717

Key Plan

REV.	DESCRIPTION	DATE
-	-	-

DRAWING TITLE

1st FLOOR

LANDSCAPE LAYOUT PLAN

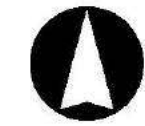
DRAWN BY	CHECK BY	DATE	TOTAL
WVK	WVK	21.12.61	-
CAD FILE NAME	SCALE	PROJECT NO.	
TH18-005-L-100-LANDS	1:100 @ A3	THM18-006	

DRAWING NUMBER

L-100

©COPYRIGHT 2019 PLOT DATE: 21.12.2018

The design as presented in this drawing is the property of WVK Group Ltd., and must not be re-used, copied or reproduced without written permission from WVK Group Ltd. This drawing must not be used for construction prior to WVK approval of shop drawings.



อะนุทิศเหนือ

FOR CONSTRUCTION

Project

**Khun Triphong
Residence**

Owner

Khun Triphong

Location

มัยนพนา อ่างทอง- บางบอน
กรุงเทพฯ

Key Plan

REV.	DESCRIPTION	DATE
-	-	-

DRAWING TITLE

ELEVATION 1

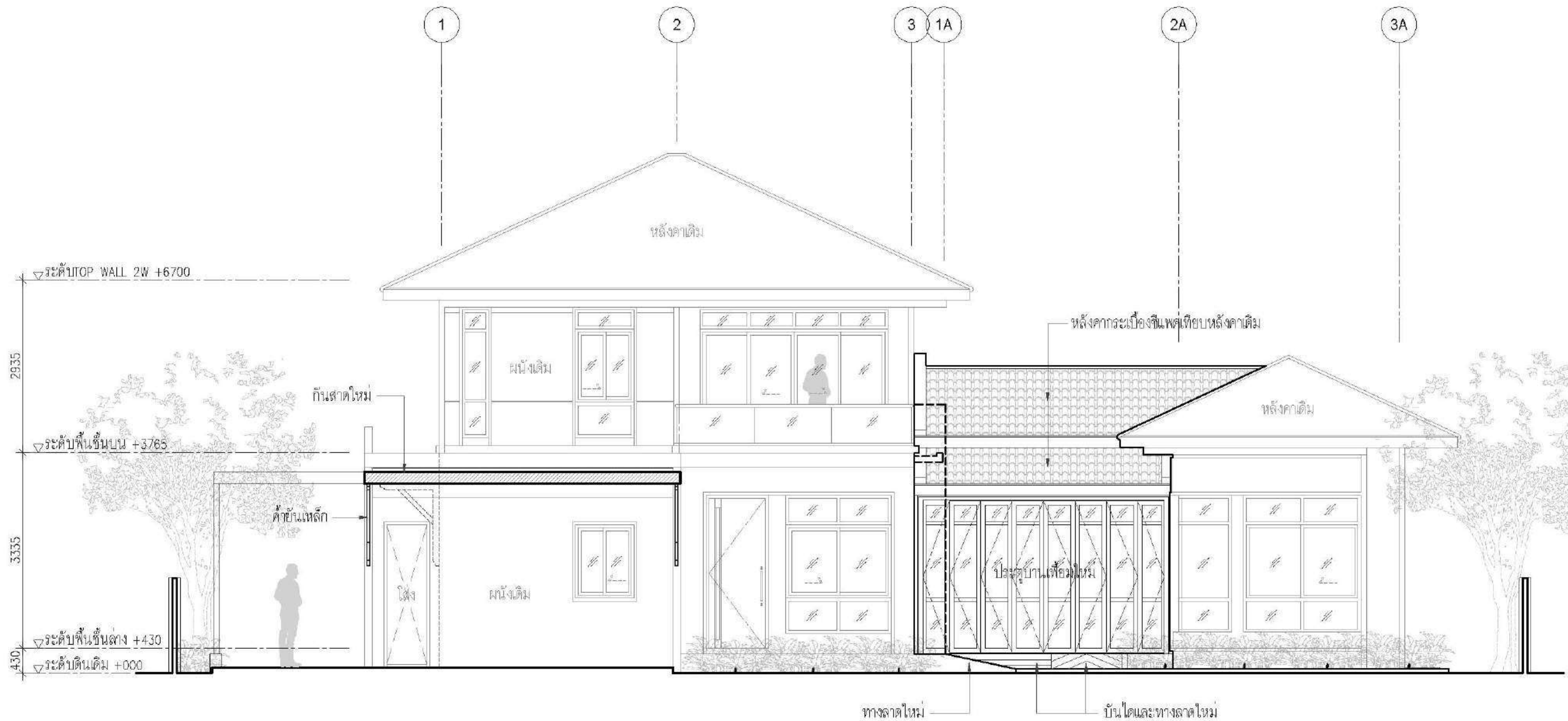
DRAWN BY	CHECK BY	DATE	TOTAL
WVK	WVK	20.12.61	-
CAD FILE NAME	SCALE	PROJECT NO.	
THS-003_A-201-ELEV01	1:75 @ A3	THM18-005	

DRAWING NUMBER

A-201

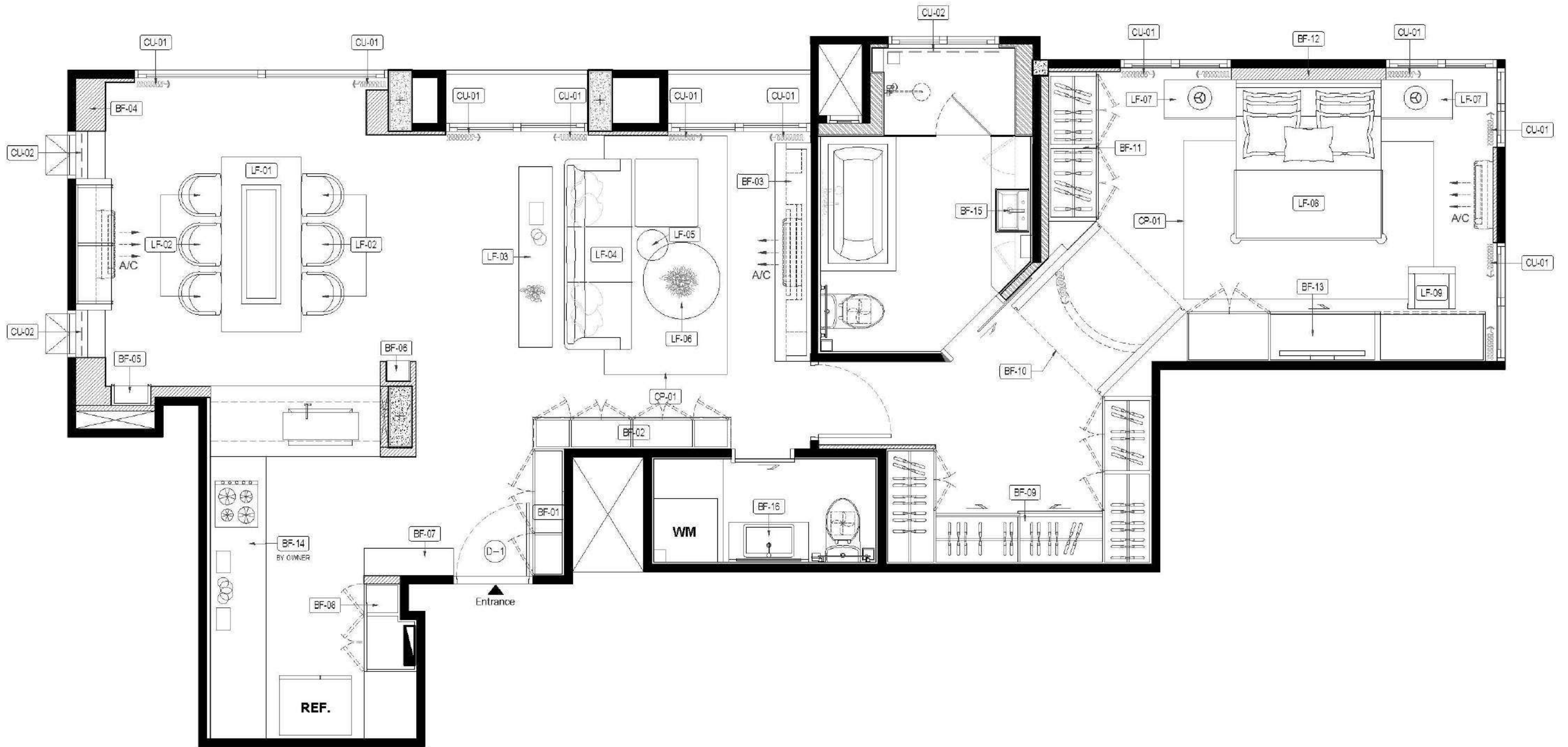
©COPYRIGHT 2019 PLOT DATE: 21.12.2019

The design as presented in this drawing is the property of WVK Group Ltd., and must not be re-used, copied or reproduced without written permission from WVK Group Ltd. This drawing must not be used for construction prior to WVK approval of shop drawings.



1 EXTERIOR ELEVATION
A-201 SCALE 1:75

FOR CONSTRUCTION



1 FURNITURE LAYOUT PLAN
 ID-101 SCALE 1:50

FOR CONSTRUCTION

WVK *Design Solutions*
 T 66(0)2 214 6 750
 F 66(0)2 214 6 755
 M 66(0)89 761 1 447
 PHAYATHAI PLAZA 128/116 11th FL., ZONE C
 PHAYATHAI ROAD, THUNG-PHAYATHAI
 RAJDEVEE, BANGKOK 10400, THAILAND
 W W W . W V K G R O U P . C O M

Project :
Khun Nini @Sarasini Residence
 Location :
ชั้น 7 ห้อง 80 ถนนสารสิน ลุมพินี ปทุมวัน กรุงเทพมหานคร 10330

Owner :
Khun Nini

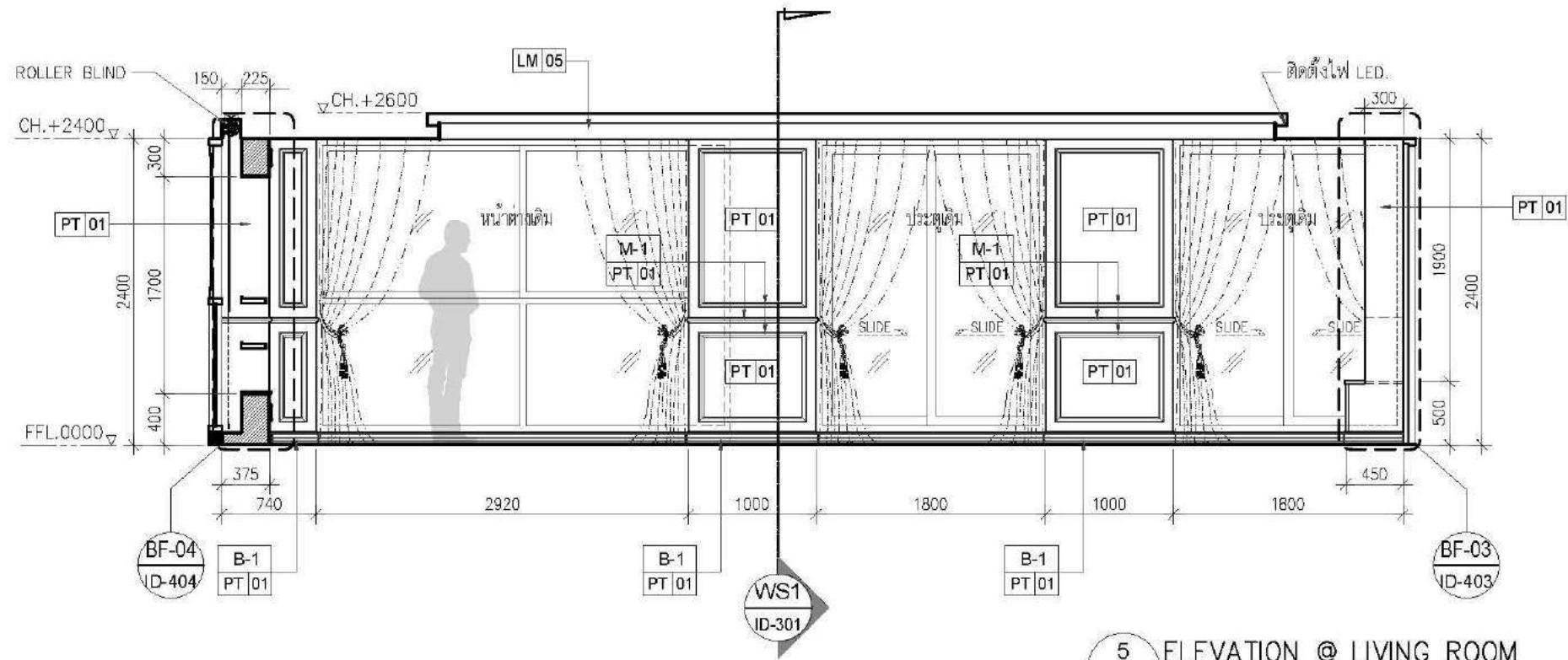
REV.	DESCRIPTION	DATE
-	-	-
-	-	-
-	-	-

PROJECT NO. : MKT18-007
 SCALE : 1:50 @ A3
 PLOT DATE : 11.05.2561

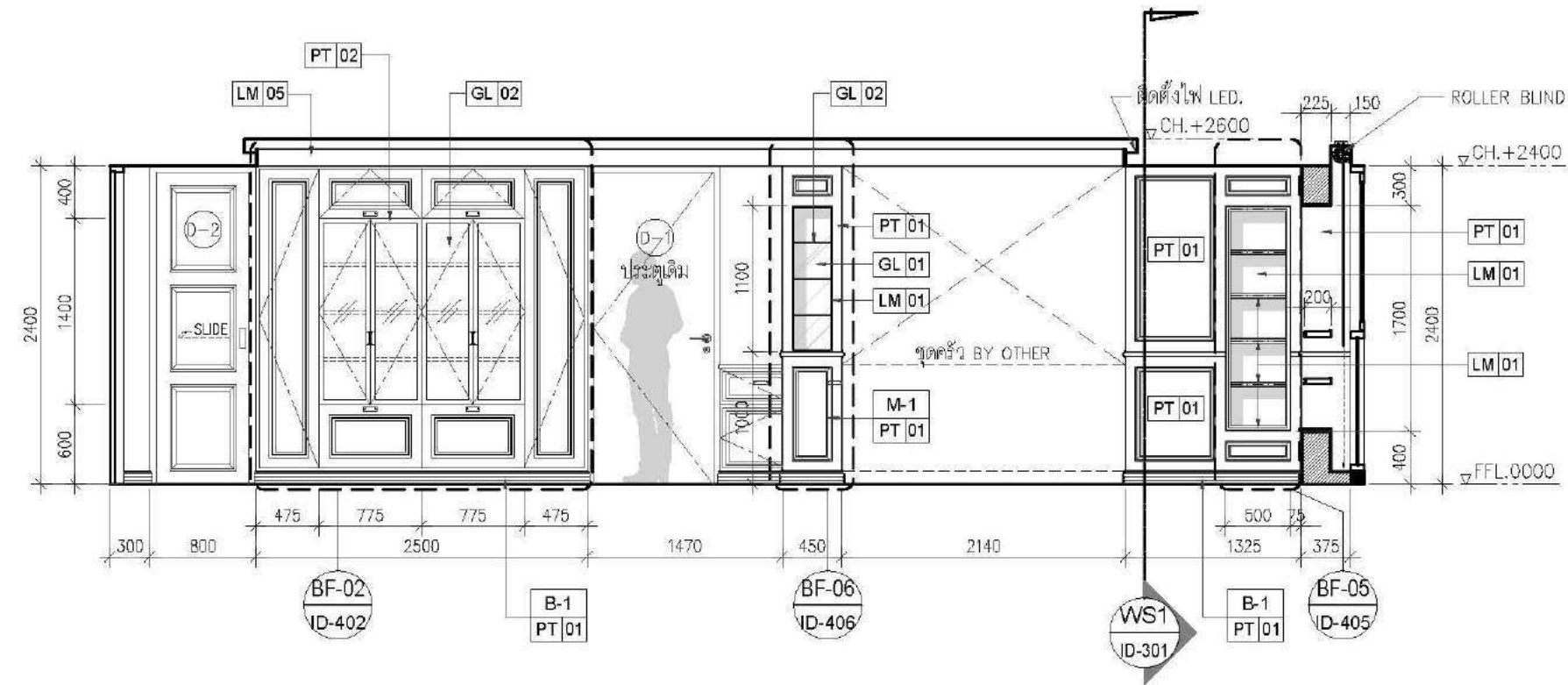
DRAWN BY : WVK
 CHECK BY : WVK
 CAD FILE NAME: MKT18-007_ID-101 - RVDWG

DRAWING TITLE	DRAWING NUMBER
FURNITURE LAYOUT PLAN	ID-101

© copyright 2018. The design as presented in this drawing is the property of WVK . Ltd., and must not be re-issue, copied or reproduce without written permission from WVK Group Ltd. This drawing must not be used for construction prior to WVK approval of shop drawings.



5 ELEVATION @ LIVING ROOM
ID-202 SCALE 1:50



6 ELEVATION @ LIVING ROOM
ID-202 SCALE 1:50

MOLDING SPECIFICATION	
SYMBOL	DESCRIPTION
M-1	บัวประดับผนัง By GAUDI DECOR - No. CR610
B-1	บัวพื้น By GAUDI DECOR - No. CR306B

WVK *WVK Group Solutions*
 T 66(0)2 214 6 750
 F 66(0)2 214 6 755
 M 66(0)89 761 1 447
 PHAYATHAI PLAZA 128/116 11th FL., ZONE C
 PHAYATHAI ROAD, THUNG-PHAYATHAI
 RAJDHEVEE, BANGKOK 10400, THAILAND
 W W W . W V K G R O U P . C O M

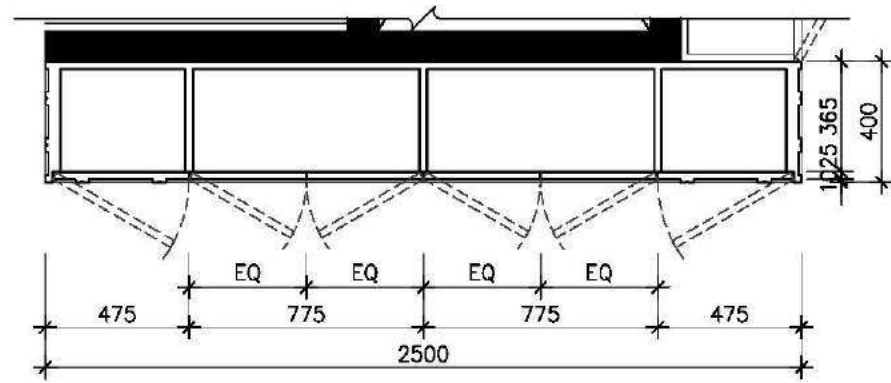
Project : Khun Nini @Sarasini Residence
 Owner : Khun Nini
 Location : ชั้น 7 ห้อง 80 ถนนสารสิน ลุมพินี ปทุมวัน กรุงเทพมหานคร 10330

REV.	DESCRIPTION	DATE
-	-	-

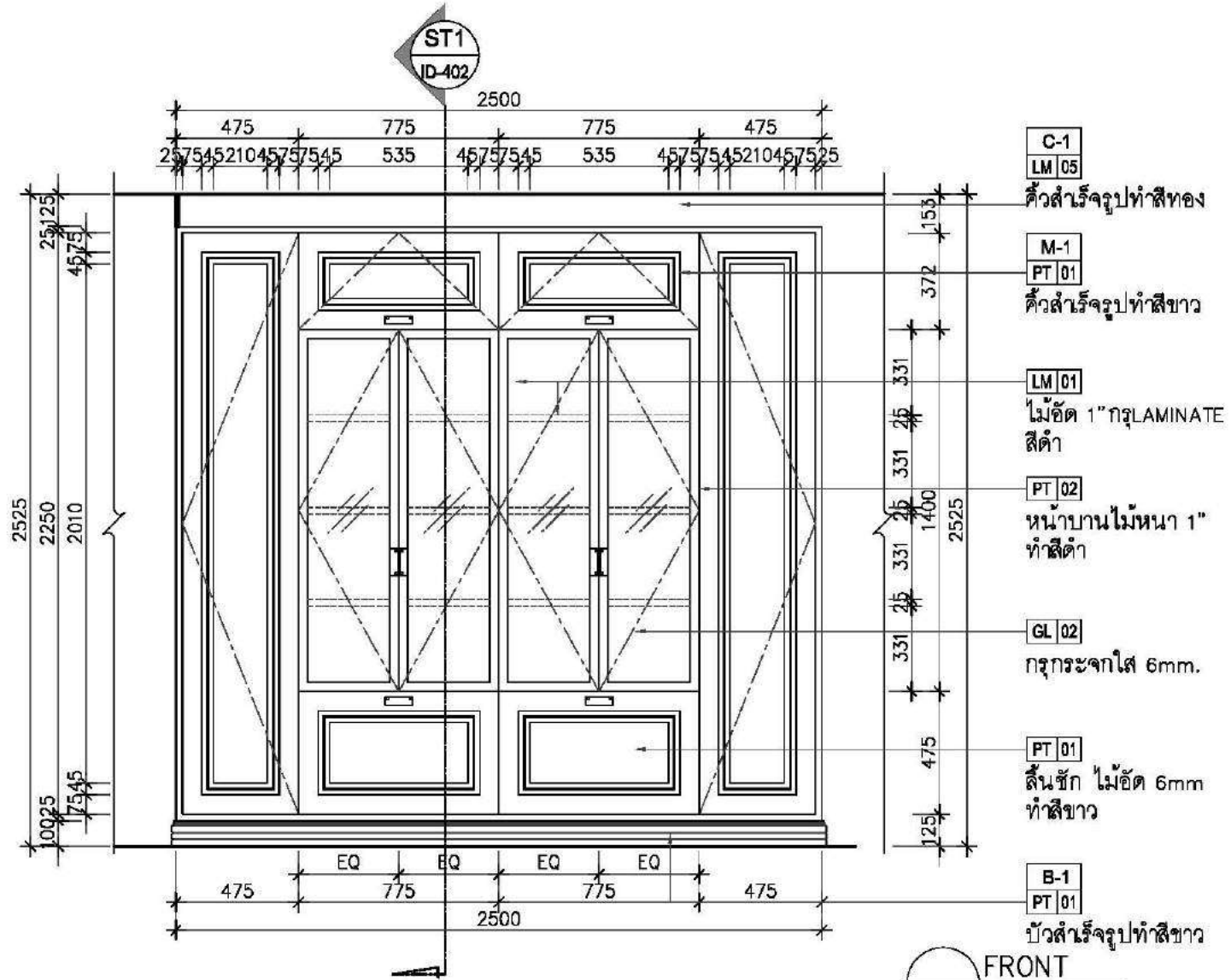
PROJECT NO. : MKT18-007
 SCALE : 1:50 @ A3
 PLOT DATE : 11.05.2561
 DRAWN BY : WVK
 CHECK BY : WVK
 CAD FILE NAME : MKT18-007-JI-01-01V-010301.DWG

FOR CONSTRUCTION	
DRAWING TITLE	DRAWING NUMBER
INTERIOR ELEVATION	ID-202

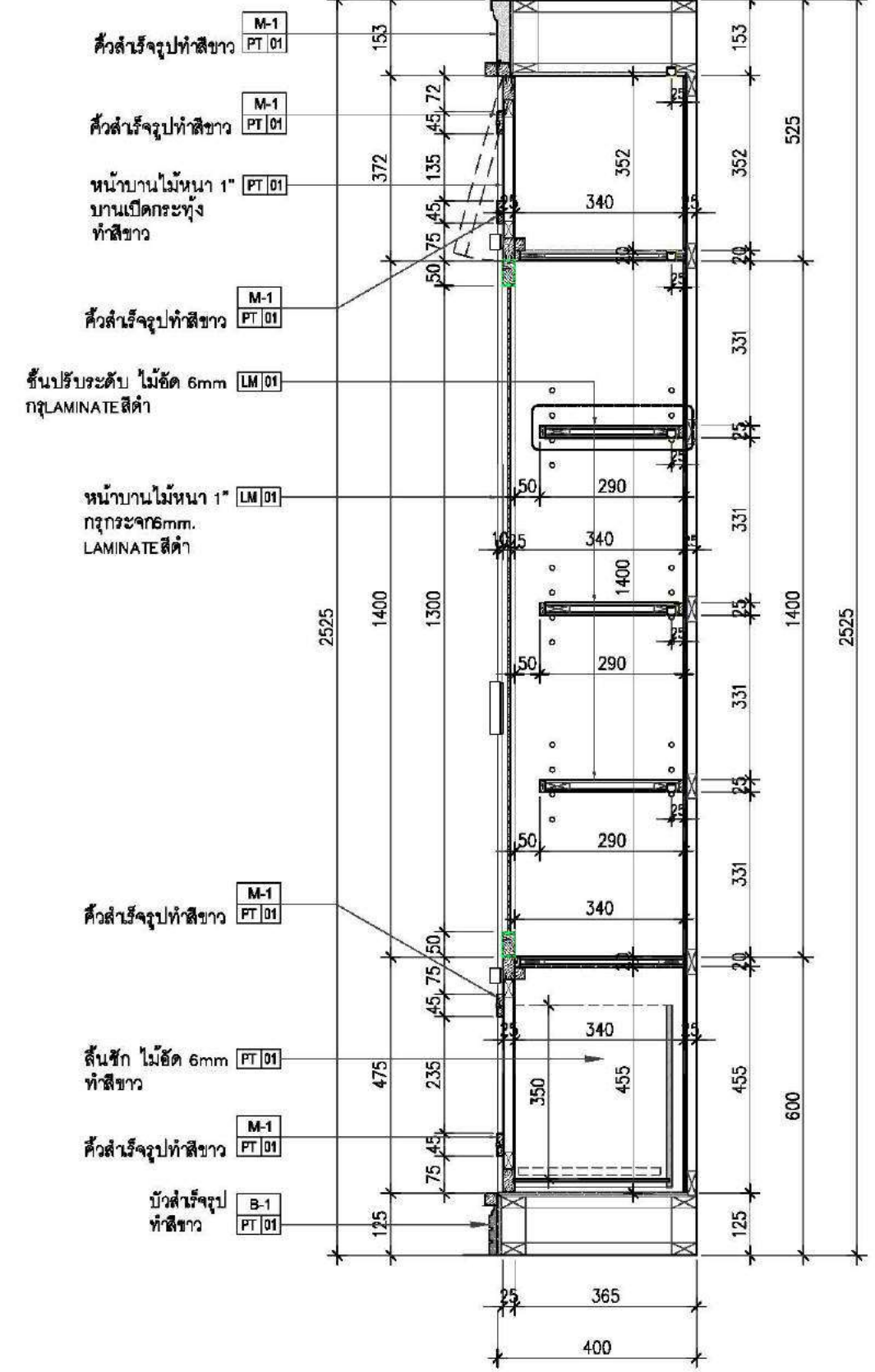
© copyright 2018. The design as presented in this drawing is the property of WVK . Ltd., and must not be re-issue, copied or reproduce without written permission from WVK Group Ltd. This drawing must not be used for construction prior to WVK approval of shop drawings.



LAYOUT PLAN
ID-402 SCALE 1 : 25



FRONT
ID-402 SCALE 1 : 25



SECTION
ID-402 SCALE 1 : 12.5

FOR INFORMATION

WVK "Design Solutions"
T 66(0)2 214 6 750
F 66(0)2 214 6 755
M 66(0)89 761 1 447
PHAYATHAI PLAZA 128/116 11TH FL., ZONE C
PHAYATHAI ROAD, THUNG-PHAYATHAI
RAJDHEVEE, BANGKOK 10400, THAILAND
W W W . W V K G R O U P . C O M

Project : Khun Nini @Sarasini Residence
Location : ชั้น 7 ห้อง 80 ถนนสารสิน ลุมพินี ปทุมวัน กรุงเทพมหานคร 10330
Owner : Khun Nini

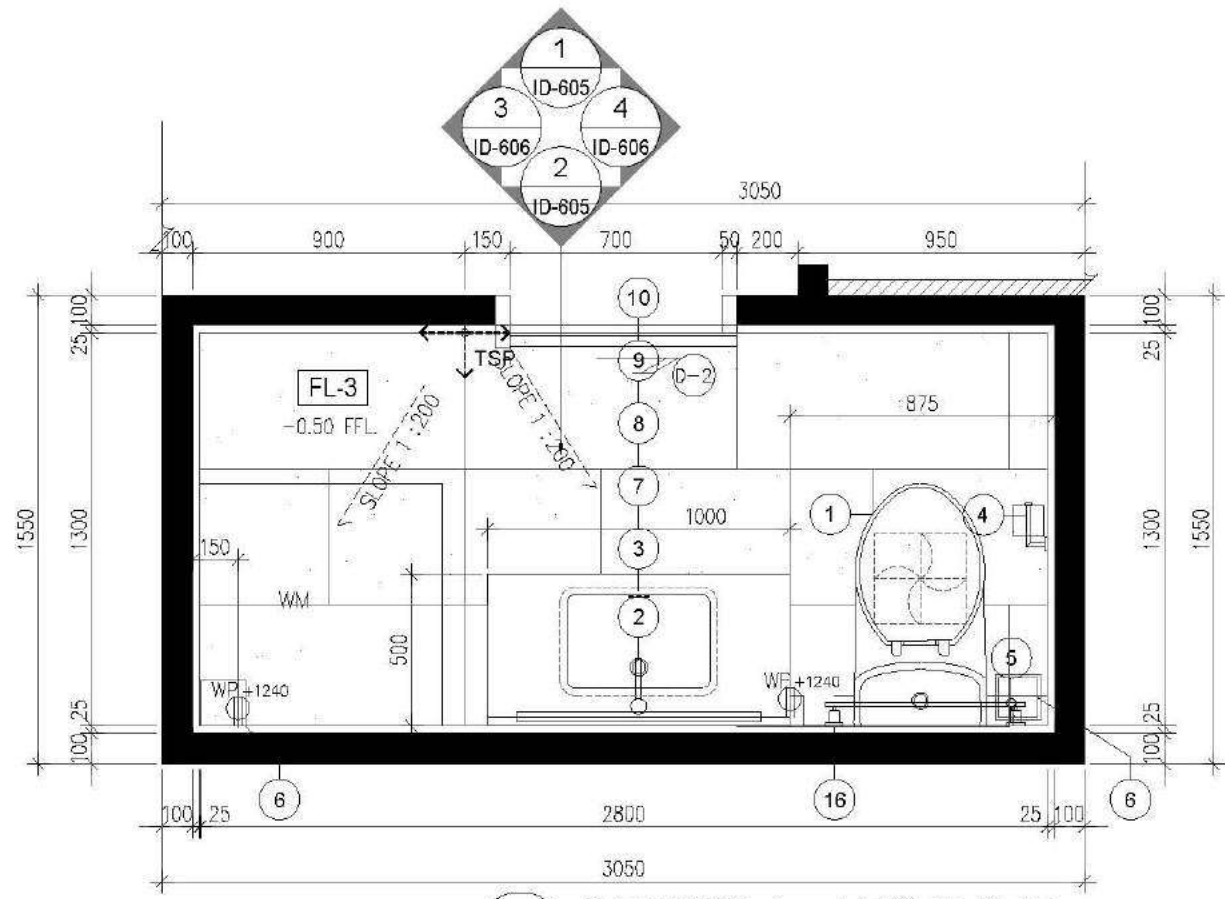
REV.	DESCRIPTION	DATE
-	-	-

PROJECT NO. : MKT18-007
SCALE : 1:50 @ A3
PLOT DATE : 11.05.2561

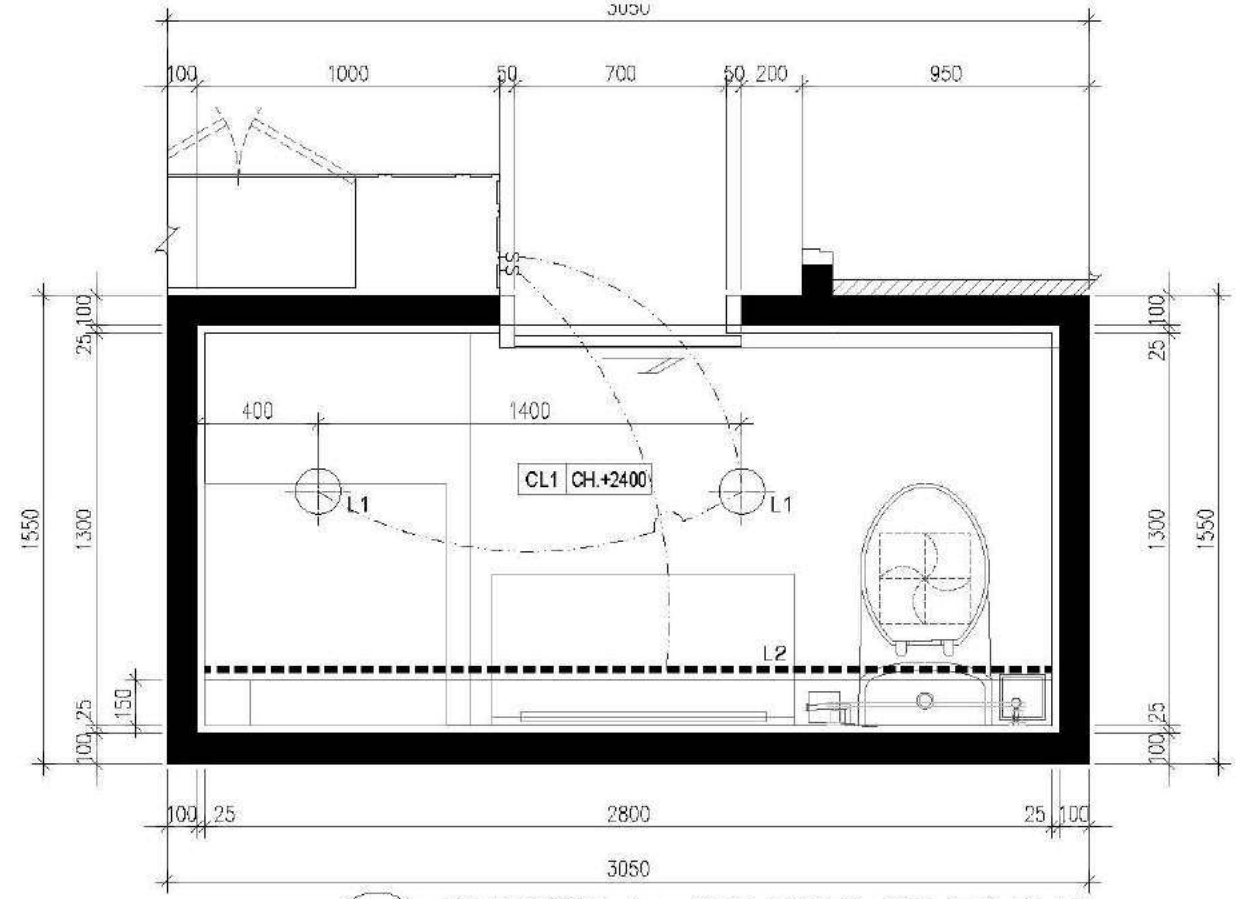
DRAWN BY : WVK
CHECK BY : WVK
CAD FILE NAME: MKT18-007-D-001-BLUM180526.DWG

DRAWING TITLE	DRAWING NUMBER
BUILT-IN DETAIL BF-02	ID-402

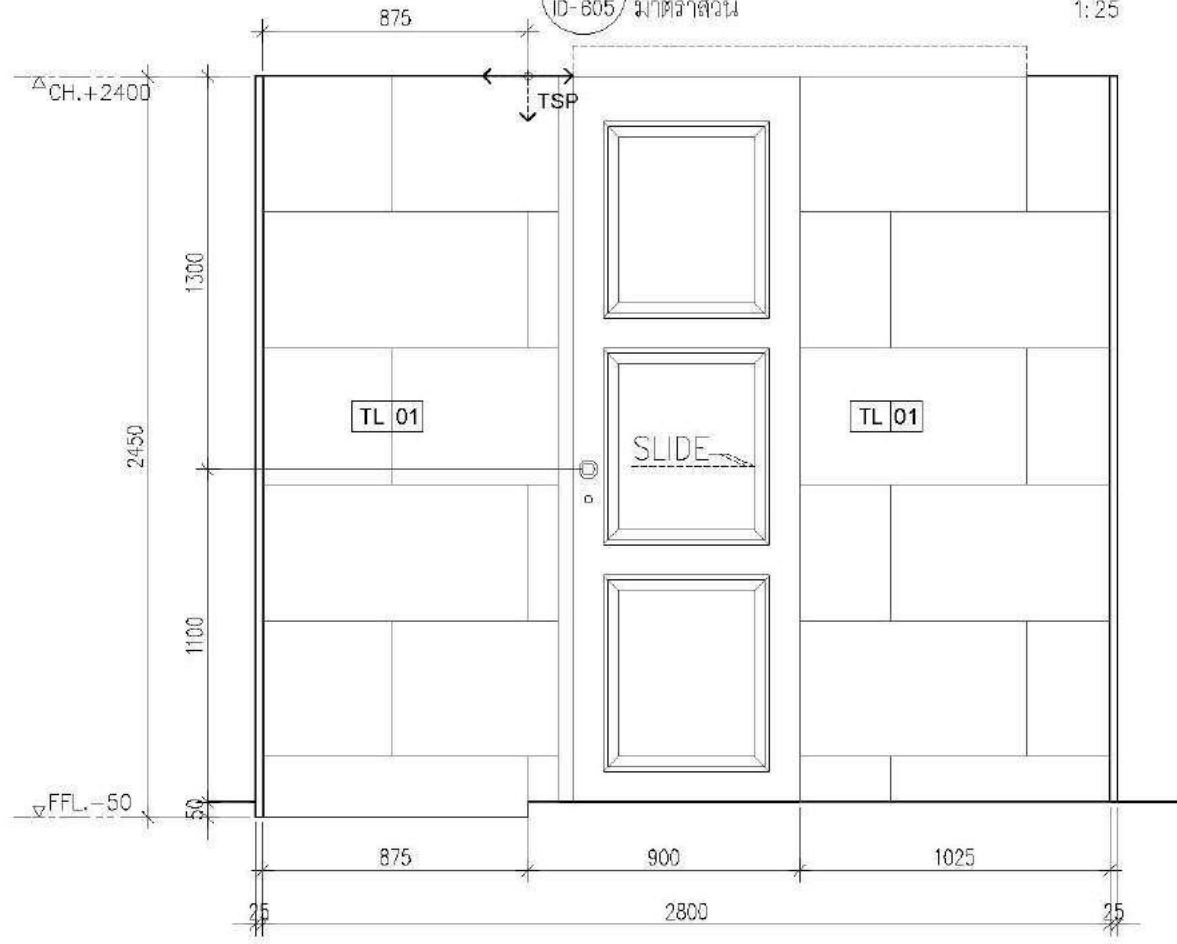
© COPYRIGHT 2018 The design as presented in this drawing is the property of WVK . Ltd., and must not be re-issue, copied or reproduce without written permission from WVK Group Ltd. This drawing must not be used for construction prior to WVK approval of shop drawings.



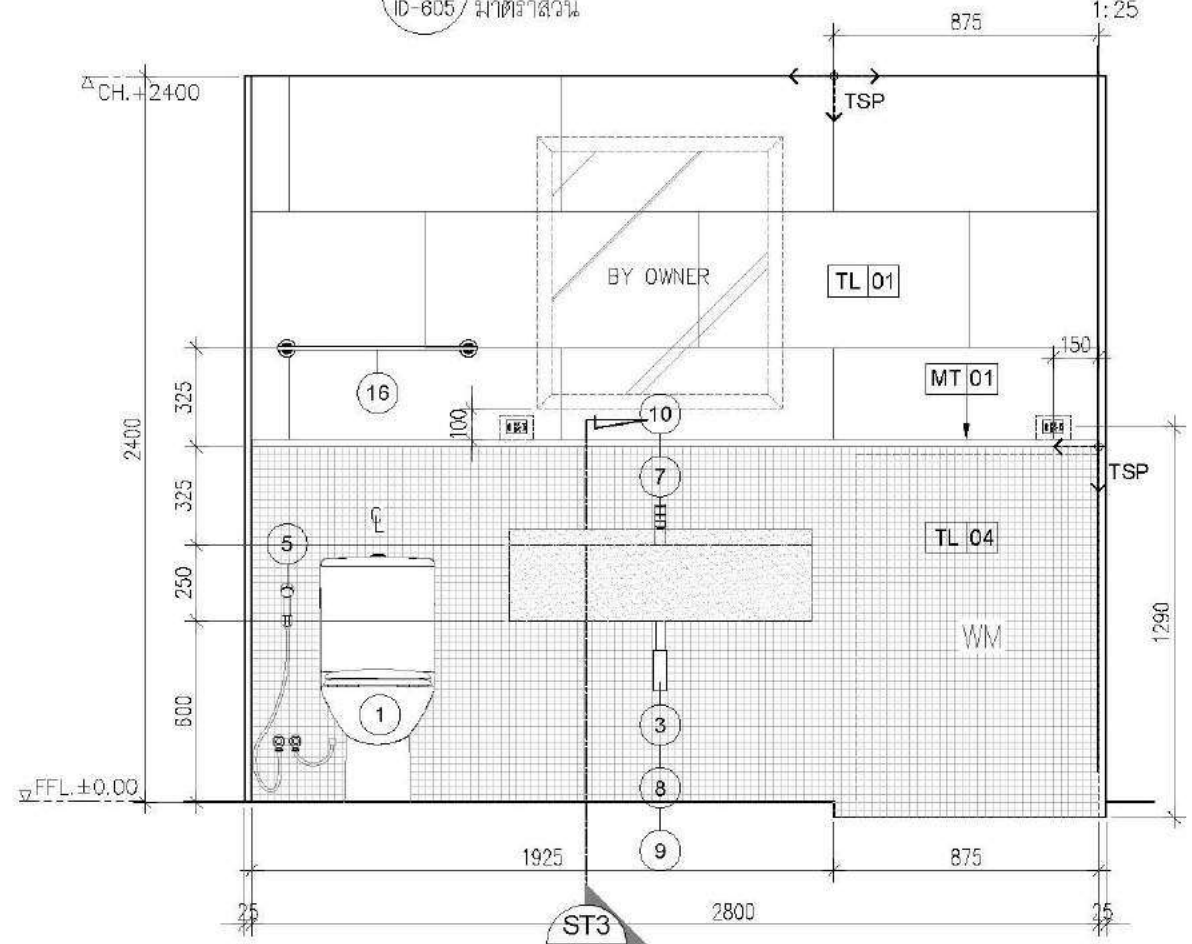
1 BATHROOM 1 : LAYOUT PLAN
ID-605 มาตรฐาน 1:25



2 BATHROOM 1 : REFLECTED CEILING PLAN
ID-605 มาตรฐาน 1:25



1 BATHROOM 1 : ELEVATION 1
ID-605 มาตรฐาน 1:25



2 BATHROOM 1 : ELEVATION 2
ID-605 มาตรฐาน 1:25

FOR CONSTRUCTION

WVK Design Solutions
T 66(0)2 214 6 750
F 66(0)2 214 6 755
M 66(0)89 761 1 447
PHAYATHAI PLAZA 128/116 11th FL., ZONE C
PHAYATHAI ROAD, THUNG-PHAYATHAI
RAJDEVEE, BANGKOK 10400, THAILAND
WWW.WVKGROUP.COM

Project : Khun Nini @Sarasini Residence
Owner : Khun Nini
Location : ชั้น 7 ห้อง 80 ถนนสารสิน ลุมพินี ปทุมวัน กรุงเทพมหานคร 10330

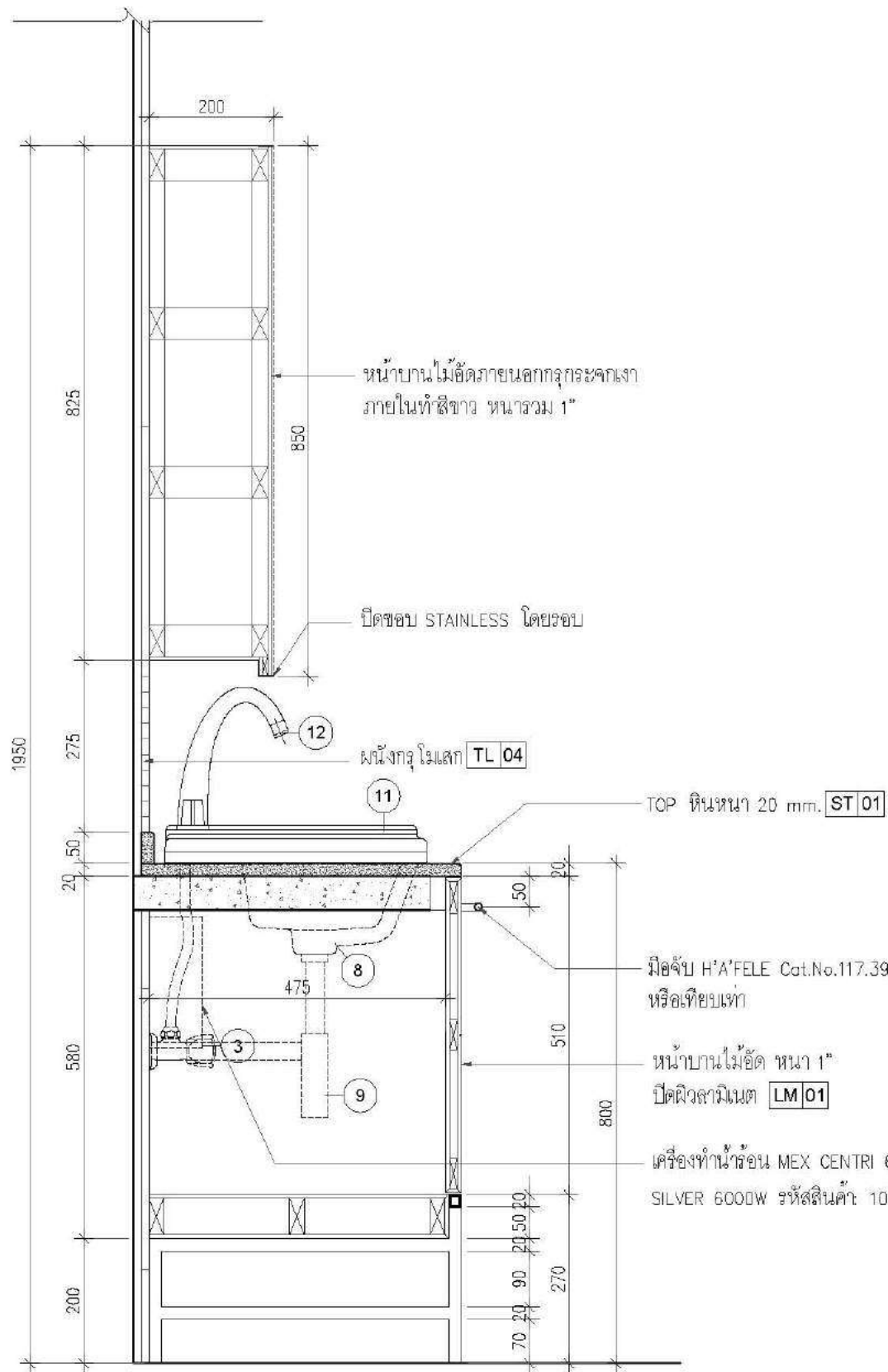
REV.	DESCRIPTION	DATE

PROJECT NO. : MKT18-007
SCALE : 1:50 @ A3
PLOT DATE : 11.05.2561

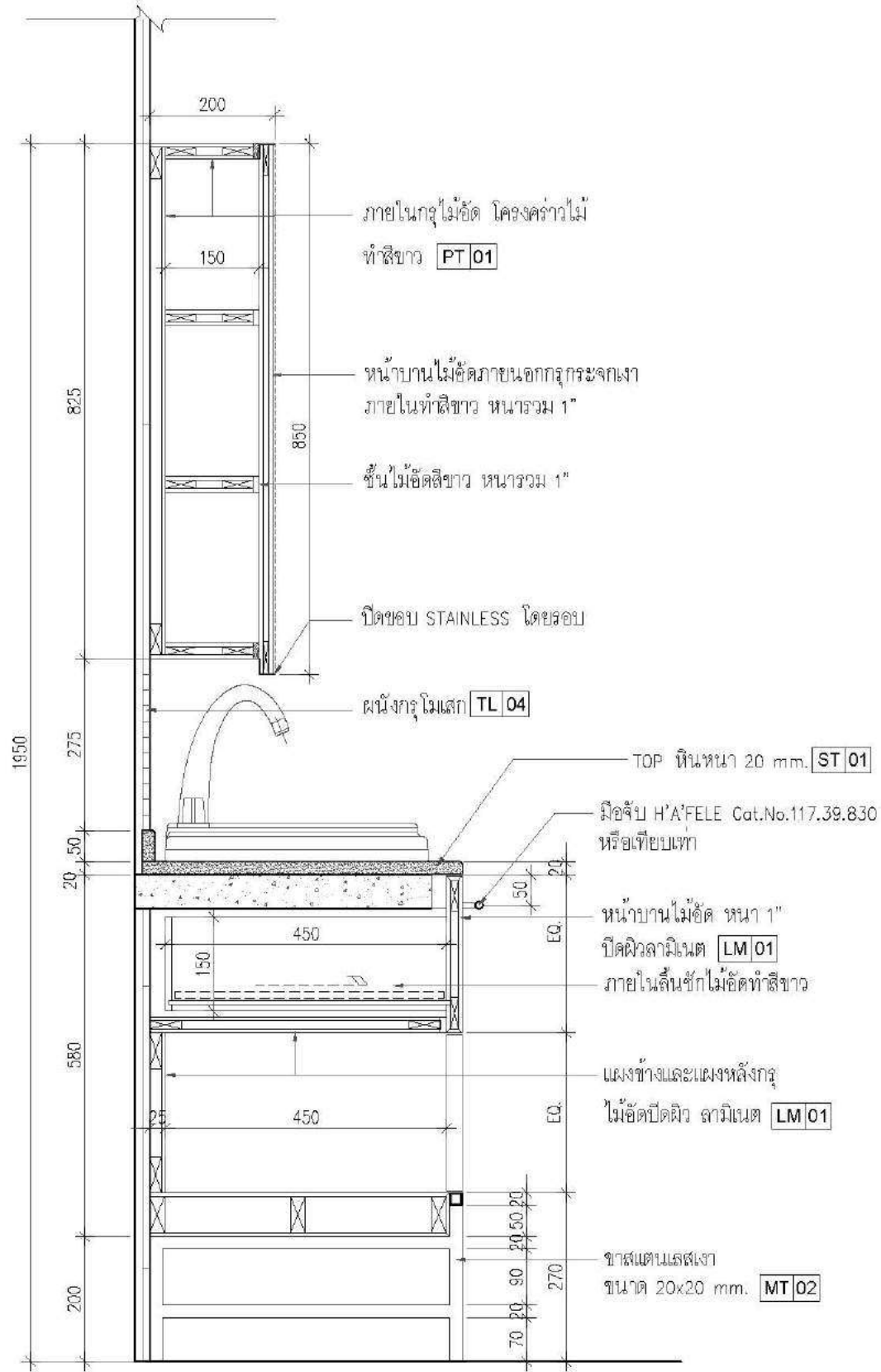
DRAWN BY : WVK
CHECK BY : WVK
CAD FILE NAME : MKT18-007-001-BATHROOM.DWG

DRAWING TITLE	DRAWING NUMBER
BATHROOM 1	ID-605

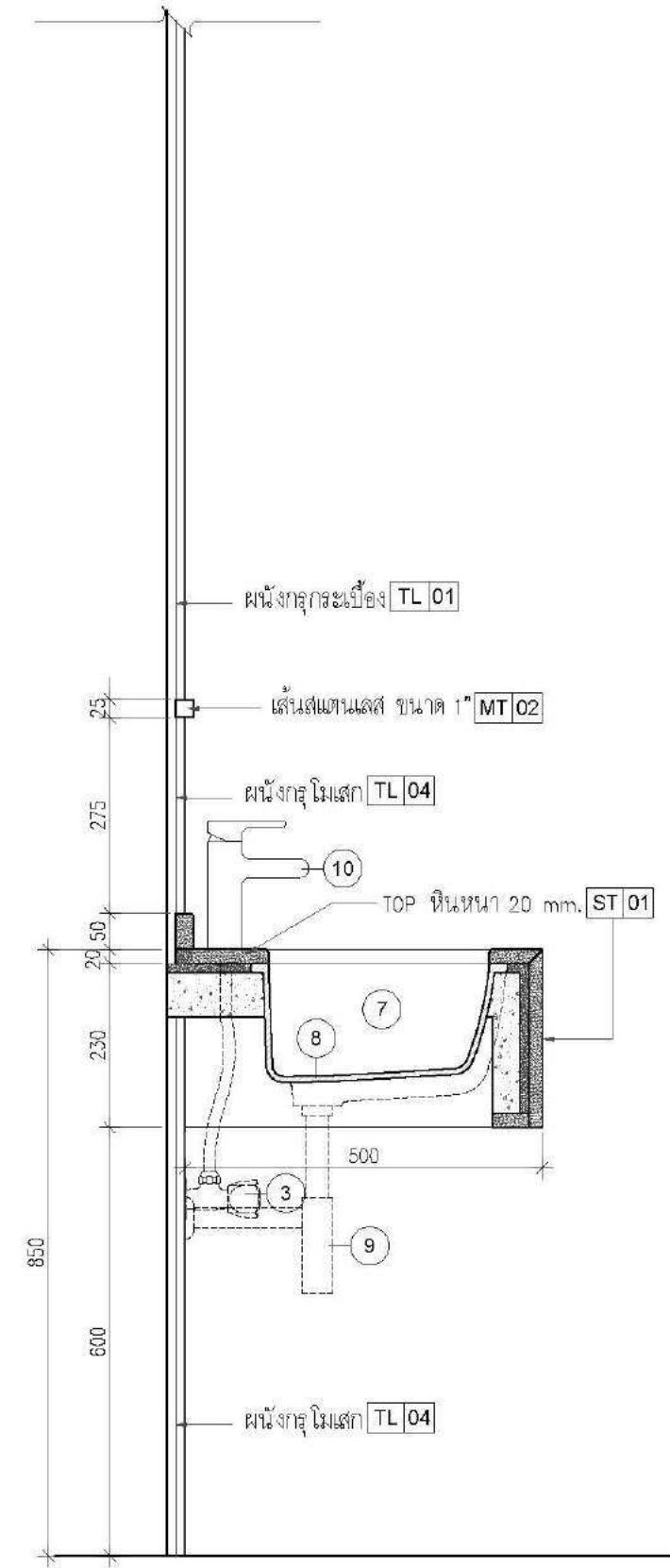
© copyright 2018. The design as presented in this drawing is the property of WVK . Ltd., and must not be re-issue, copied or reproduce without written permission from WVK Group Ltd. This drawing must not be used for construction prior to WVK approval of shop drawings.



ST1 SECTION @MASTER BATHROOM
ID-607 มาตราส่วน 1:10



ST2 SECTION @MASTER BATHROOM
ID-607 มาตราส่วน 1:10



ST3 SECTION @BATHROOM 1
ID-607 มาตราส่วน 1:10

WVK Design Solutions
T 66(0)2 214 6 750
F 66(0)2 214 6 755
M 66(0)89 761 1 447
PHAYATHAI PLAZA 128/116 11th FL., ZONE C
PHAYATHAI ROAD, THUNG-PHAYATHAI
RAJDEVEE, BANGKOK 10400, THAILAND
WWW.WVKGROUP.COM

Project :
Khun Nini @Sarasini Residence
Location :
ชั้น 7 ห้อง 80 ถนนสารสิน ลุมพินี ปทุมวัน กรุงเทพมหานคร 10330

Owner :
Khun Nini

REV.	DESCRIPTION	DATE

PROJECT NO. : MKT18-007
SCALE : 1:10 @A3
PLOT DATE : 11.05.2561

DRAWN BY : WVK
CHECK BY : WVK
CAD FILE NAME: MKT18-007-001-BATHROOM.DWG

DRAWING TITLE	DRAWING NUMBER
BATHROOM 1	ID-607

FOR CONSTRUCTION