

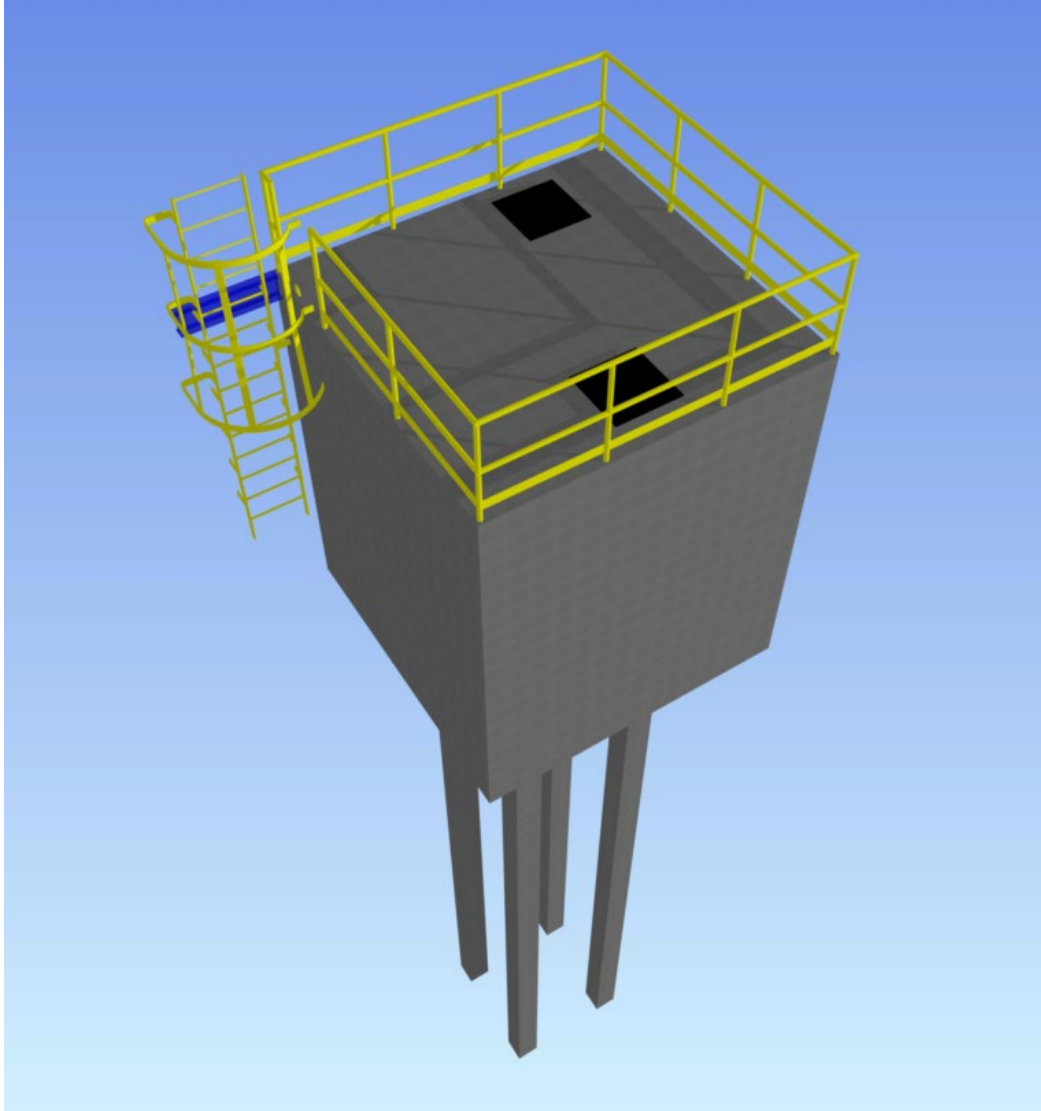
### Reinforce Concrete Pit 1

Size : 4000 x 6000 x 3500

Foundation on Pile (PC Pile 350 x 350 x 11000 (L))

Depth from ground level 1000 mm.

Operate water high 3000 mm



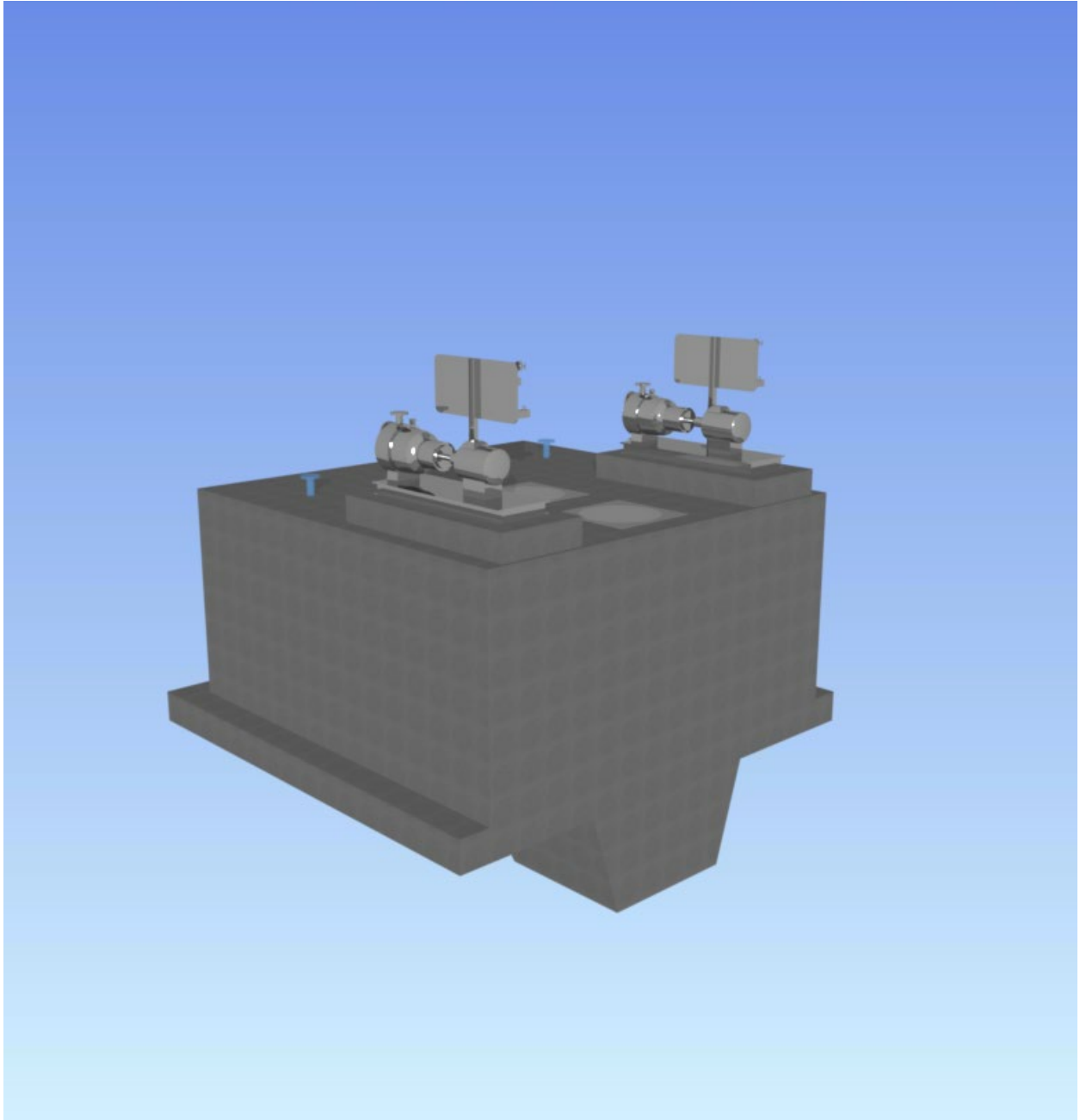
### **Reinforce Concrete Pit 2**

Size : 3000 (W) x 3000 (L) x 3500 (H) mm

Foundation on Pile (PC Pile 350 x 350 x 11000 (L))

Depth from ground level 1300 mm.

Operate water high 3000 mm



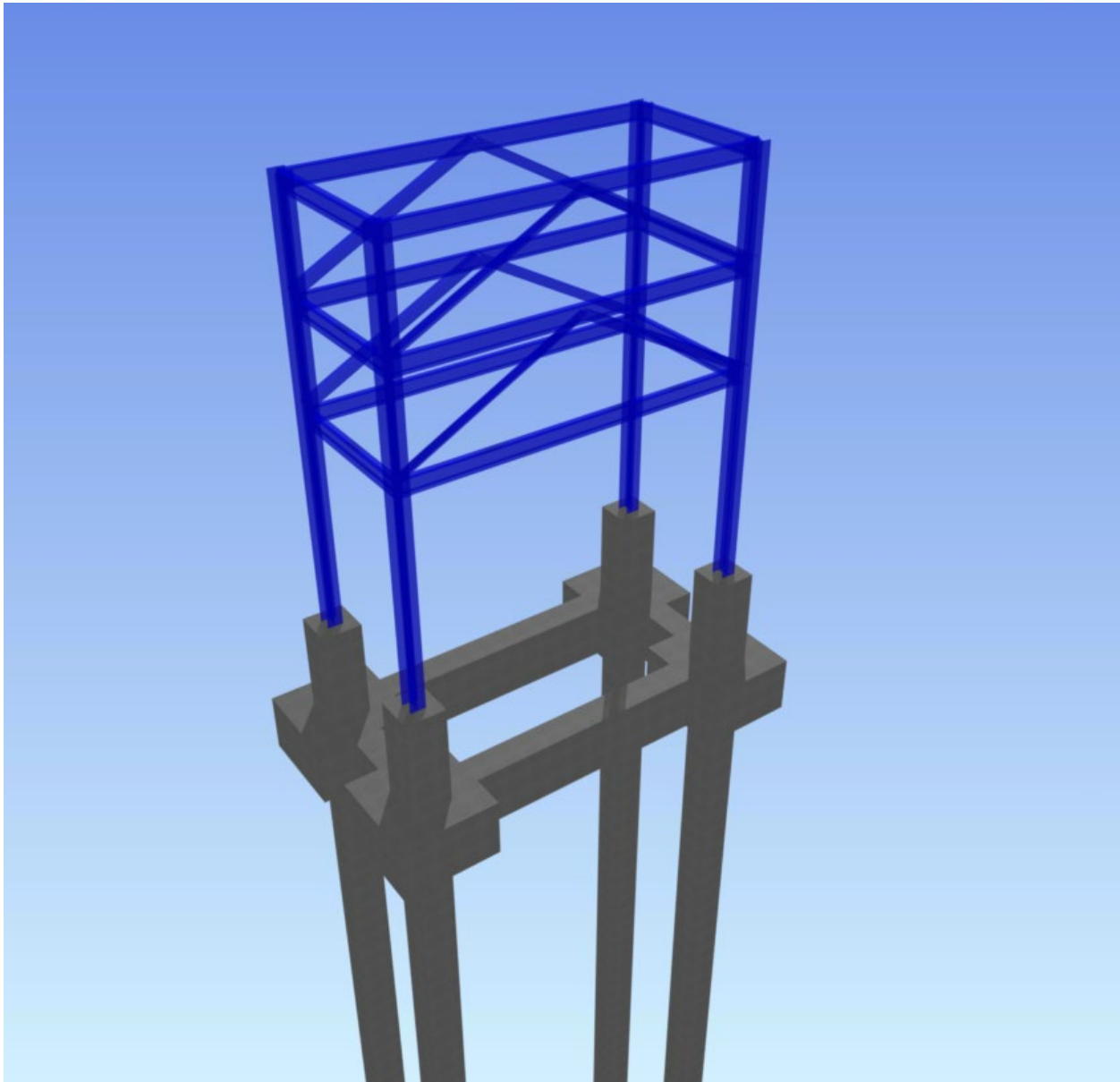
### **Reinforce Concrete Pit 3**

Size : 3000 (W) x 3000 (L) x 1500 (H) mm

Foundation on Ground

Depth from ground level 1750 mm.

Operate water high 1500 mm



### Local Pipesupport

Size : 1500 (W) × 3500 (L) × 4500 (H) mm

Foundation on Pile (PC Pile 350 × 350 × 11000 (L))

Steel Structure