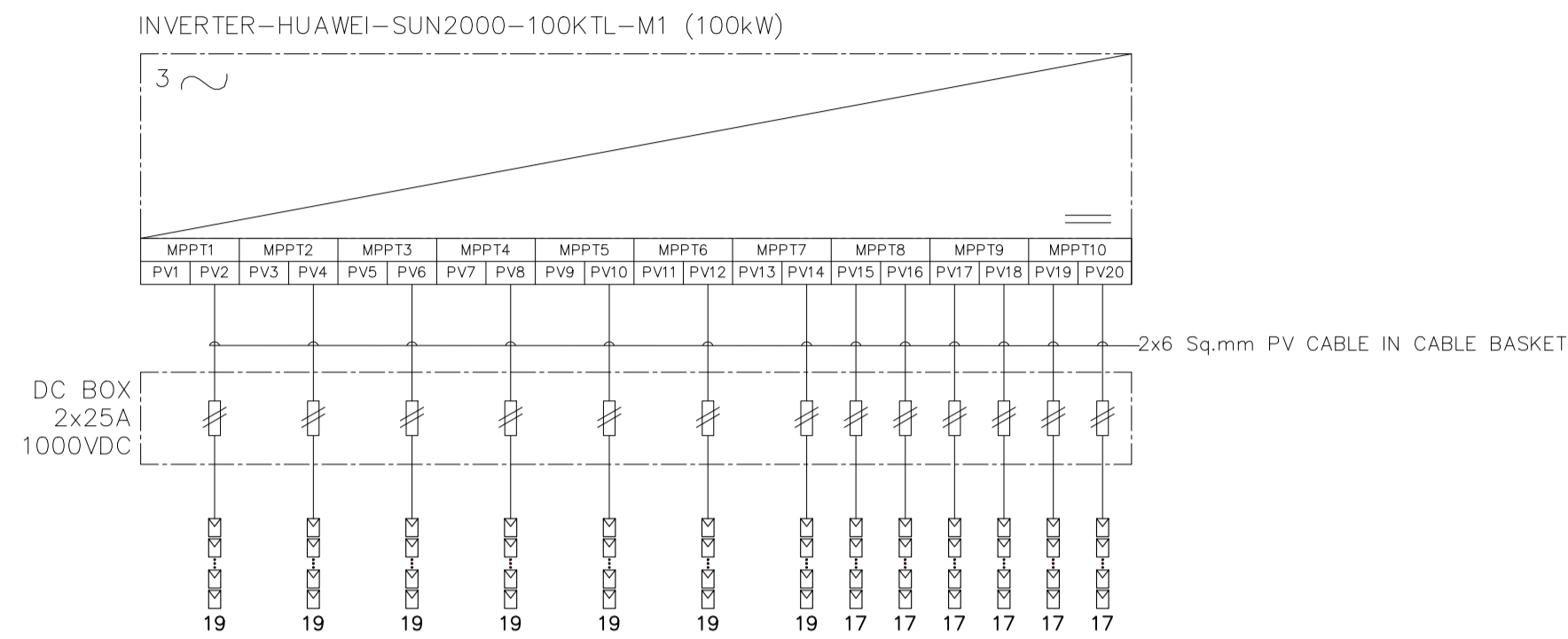
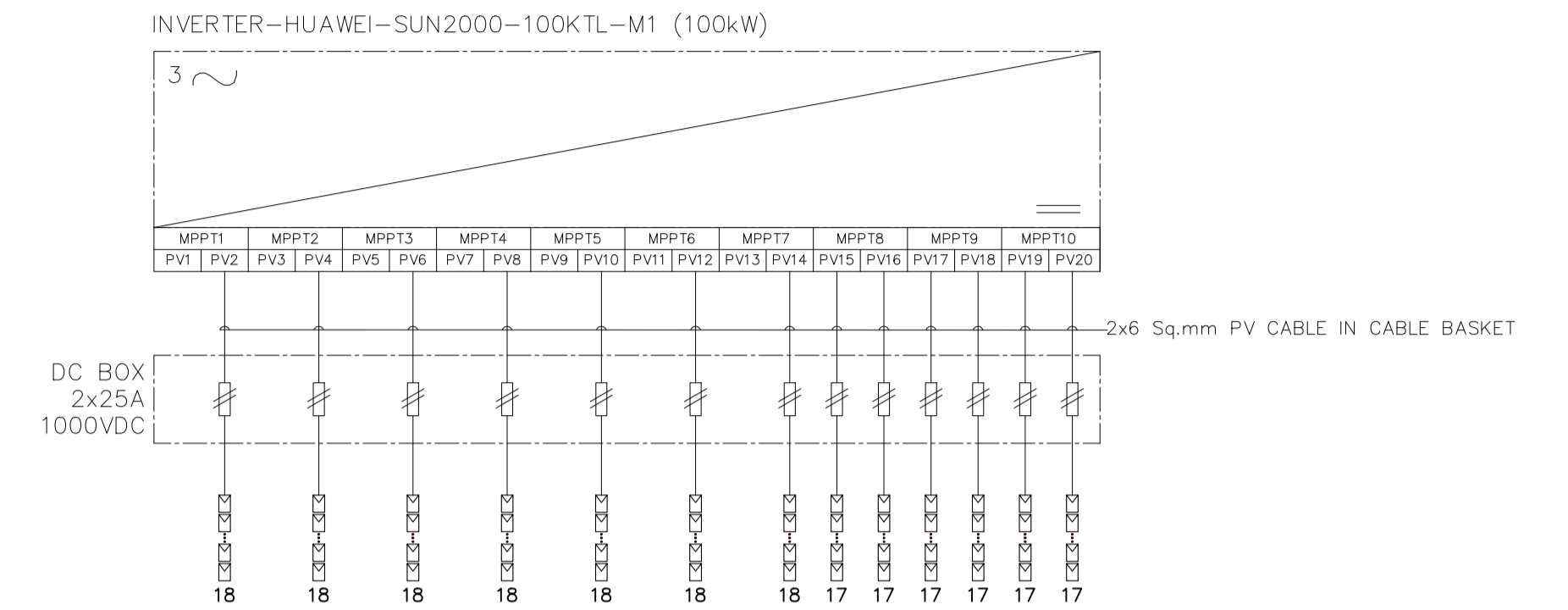


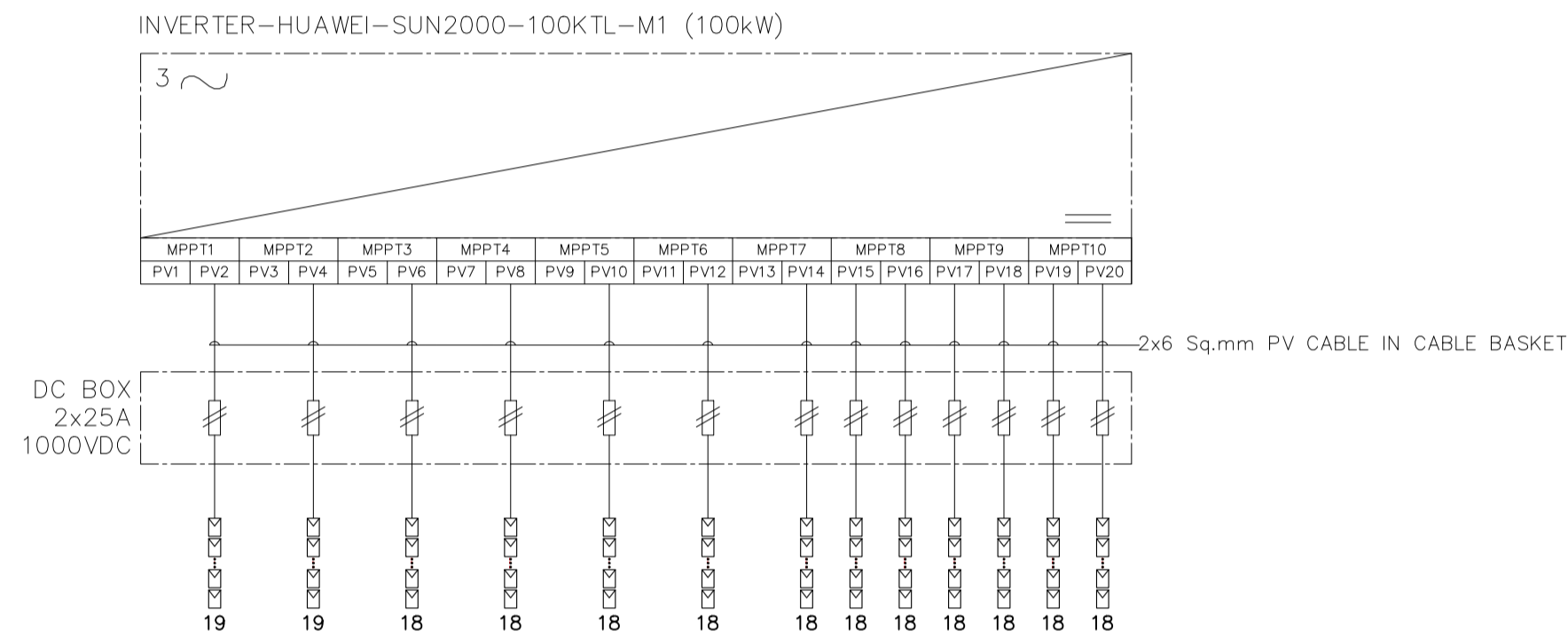
INVERTER NUMBER : INV07		
INVERTER MODEL : HUAWEI-SUN2000-100KTL-M1		
PV MODULE : LONGI LR5-72HPH-550M 235 MODULE		
PV MODULE/STRING	QUANTITY STRING	STRING CAPACITY(kWp)
17	6	56.100
19	7	73.150
TOTAL	13	129.250



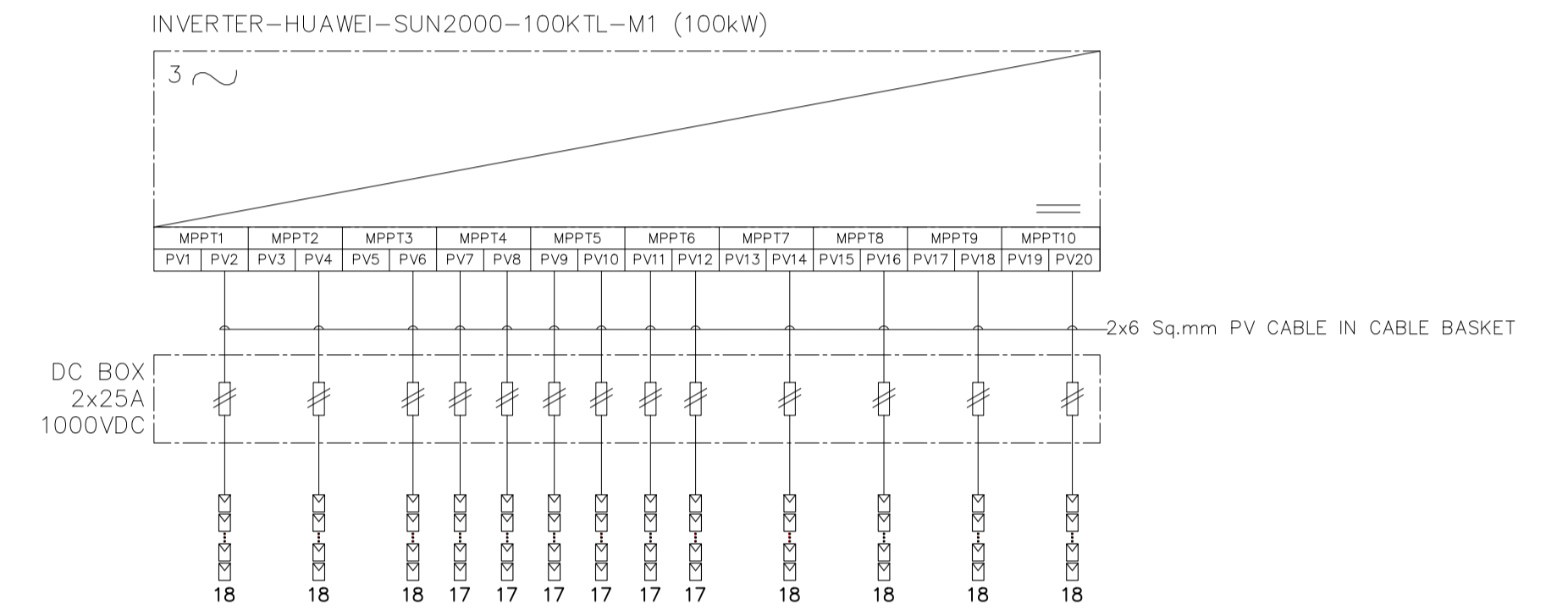
INVERTER NUMBER : INV10		
INVERTER MODEL : HUAWEI-SUN2000-100KTL-M1		
PV MODULE : LONGI LR5-72HPH-550M 228 MODULE		
PV MODULE/STRING	QUANTITY STRING	STRING CAPACITY(kWp)
17	6	56.100
18	7	69.300
TOTAL	13	125.400



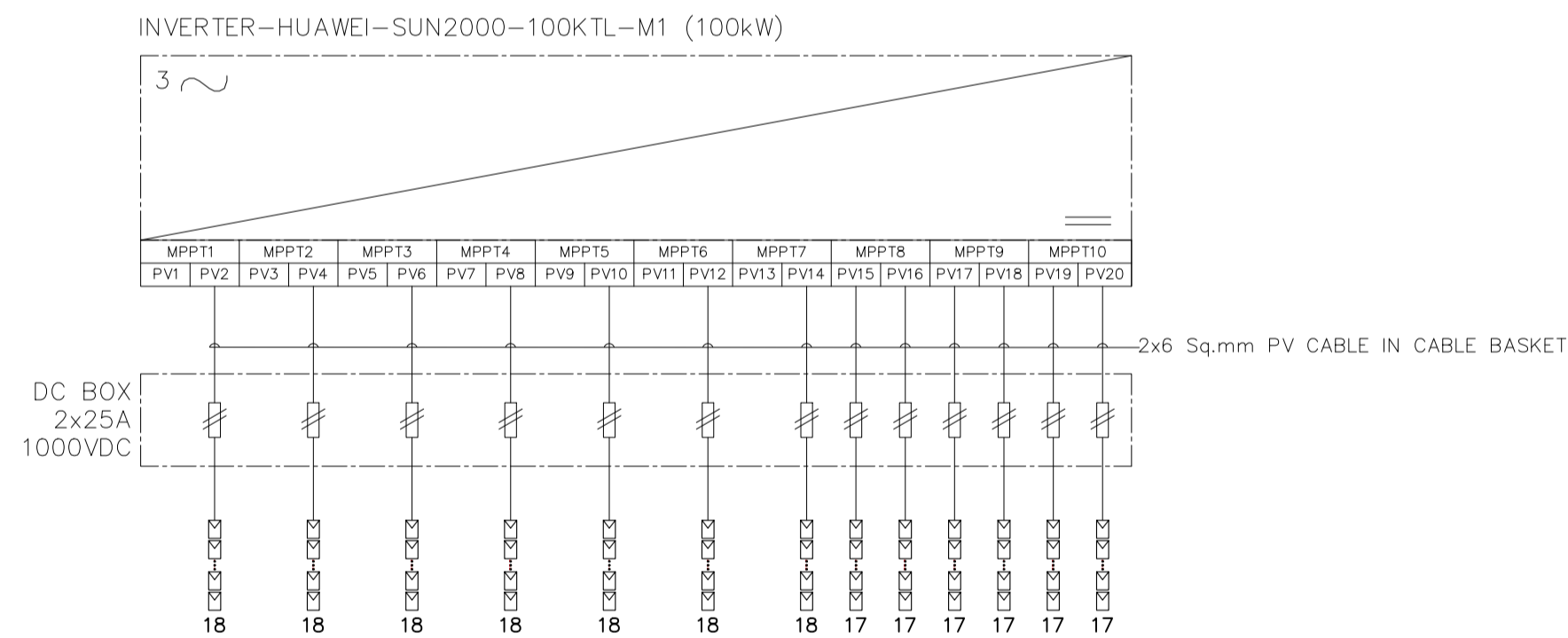
INVERTER NUMBER : INV08		
INVERTER MODEL : HUAWEI-SUN2000-100KTL-M1		
PV MODULE : LONGI LR5-72HPH-550M 236 MODULE		
PV MODULE/STRING	QUANTITY STRING	STRING CAPACITY(kWp)
18	11	108.900
19	2	20.900
TOTAL	13	129.800



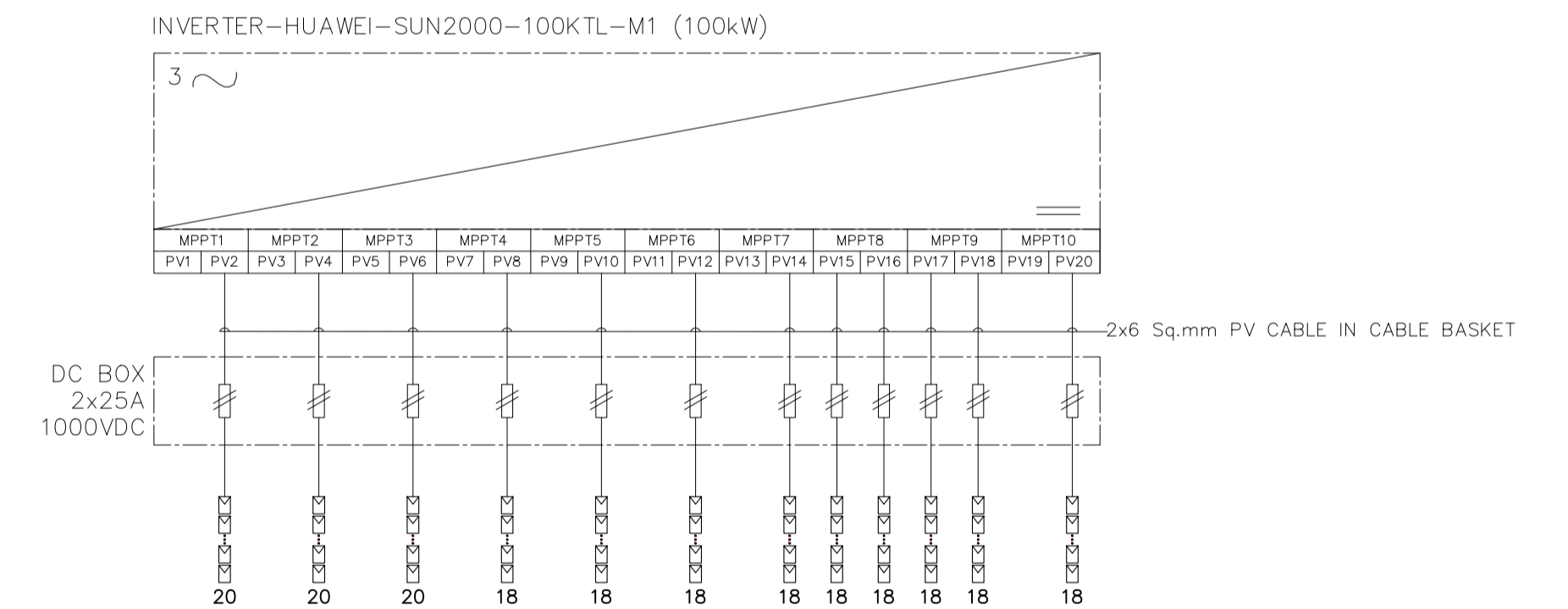
INVERTER NUMBER : INV11		
INVERTER MODEL : HUAWEI-SUN2000-100KTL-M1		
PV MODULE : LONGI LR5-72HPH-550M 228 MODULE		
PV MODULE/STRING	QUANTITY STRING	STRING CAPACITY(kWp)
17	6	56.100
18	7	69.300
TOTAL	13	125.400



INVERTER NUMBER : INV09		
INVERTER MODEL : HUAWEI-SUN2000-100KTL-M1		
PV MODULE : LONGI LR5-72HPH-550M 228 MODULE		
PV MODULE/STRING	QUANTITY STRING	STRING CAPACITY(kWp)
17	6	56.100
18	7	69.300
TOTAL	13	125.400



INVERTER NUMBER : INV12		
INVERTER MODEL : HUAWEI-SUN2000-100KTL-M1		
PV MODULE : LONGI LR5-72HPH-550M 222 MODULE		
PV MODULE/STRING	QUANTITY STRING	STRING CAPACITY(kWp)
18	9	89.100
20	3	33.000
TOTAL	12	122.100

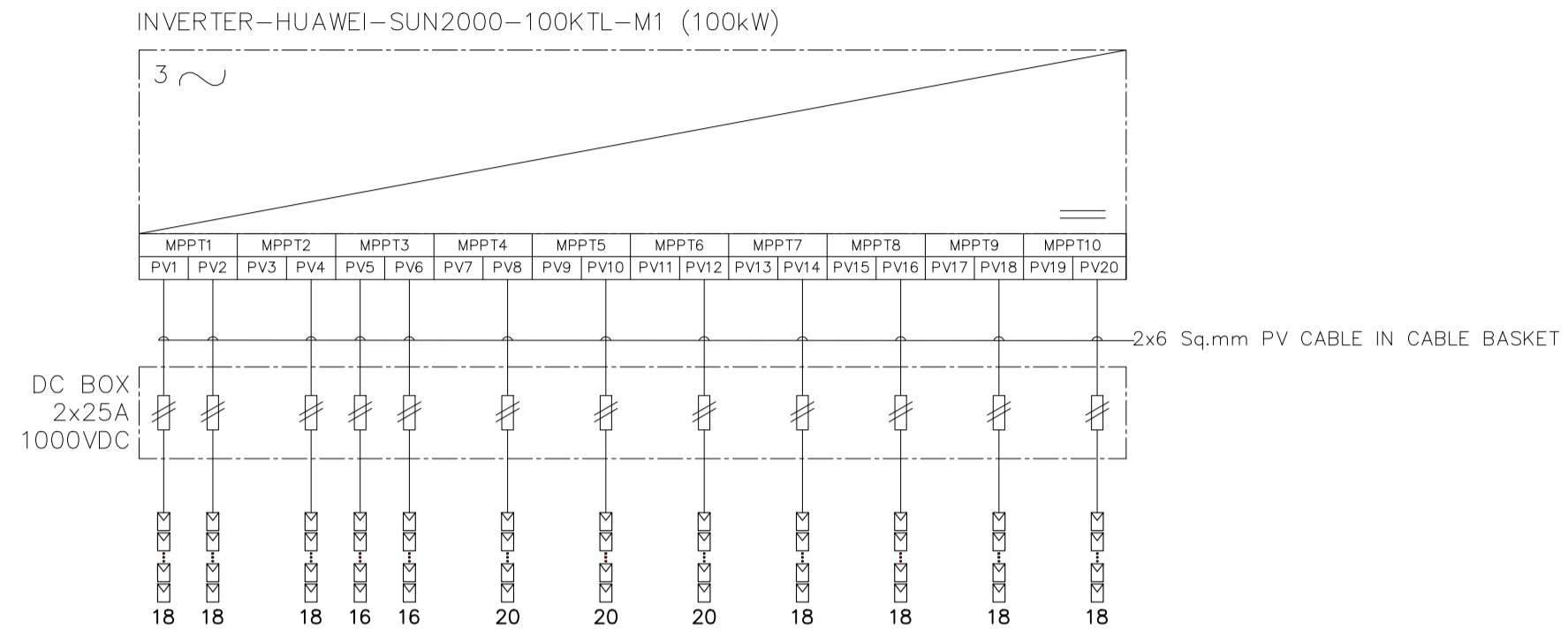


STRING WIRING DIAGRAM (2)

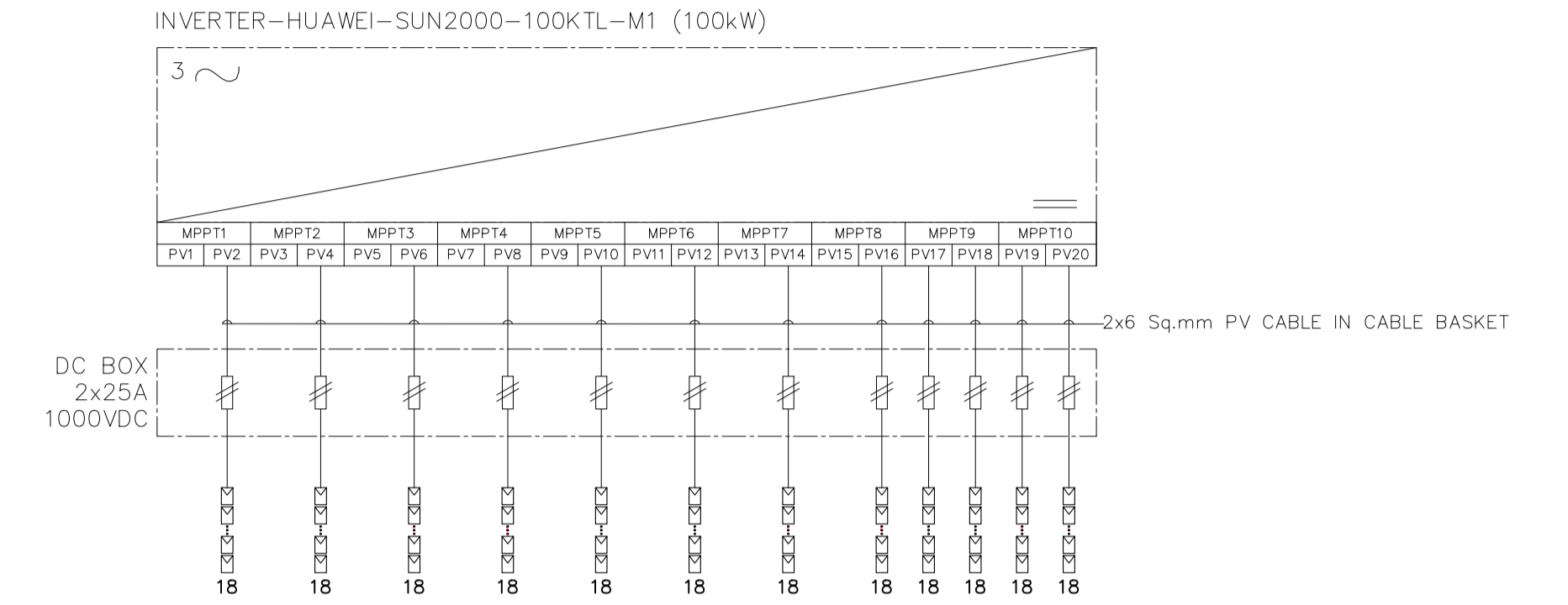
NTS.

CLIENT	MAIN CONTRACTOR	SUB CONTRACTOR	ARCHITECT	ELECTRICAL ENGINEER	REV.	DESCRIPTION	DATE	PROJECT	xxx-xxx-xxxxx	SCALE 1:20	DRAWN BY	CHECKED BY	APPROVED
			Address	Address					SCALE 1:50				
			STRUCTURAL ENGINEER	MECHANICAL ENGINEER					SCALE 1:100				
			Address	Address					SCALE 1:100				
						SOLAR ROOF TOP		TITLE		DATE	DATE	DATE	
						STRING WIRING DIAGRAM (2)				16.11.2022	16.11.2022	16.11.2022	
										DRAWING No.		REV.	
												△	

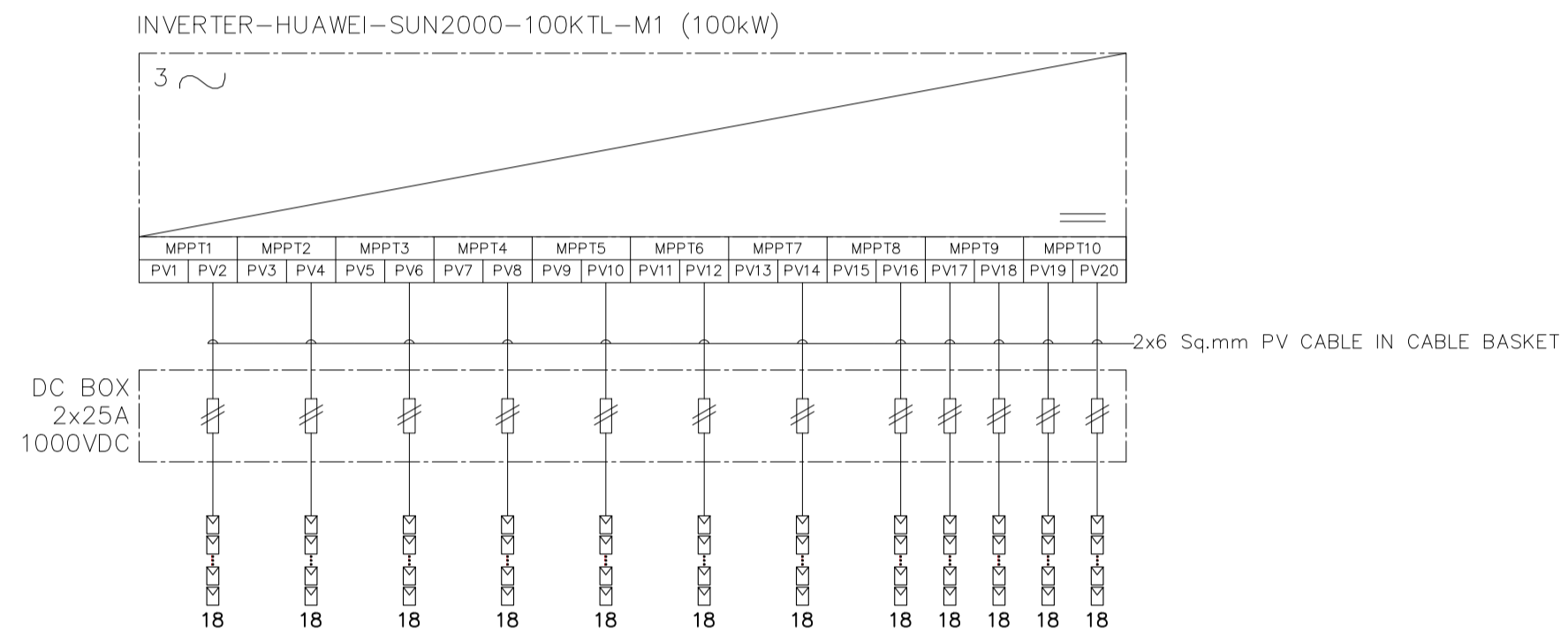
INVERTER NUMBER : INV13		
INVERTER MODEL : HUAWEI-SUN2000-100KTL-M1		
PV MODULE : LONGI LR5-72HPH-550M 218 MODULE		
PV MODULE/STRING	QUANTITY STRING	STRING CAPACITY(kWp)
16	2	17.600
18	7	69.300
20	3	33.000
TOTAL		119.900



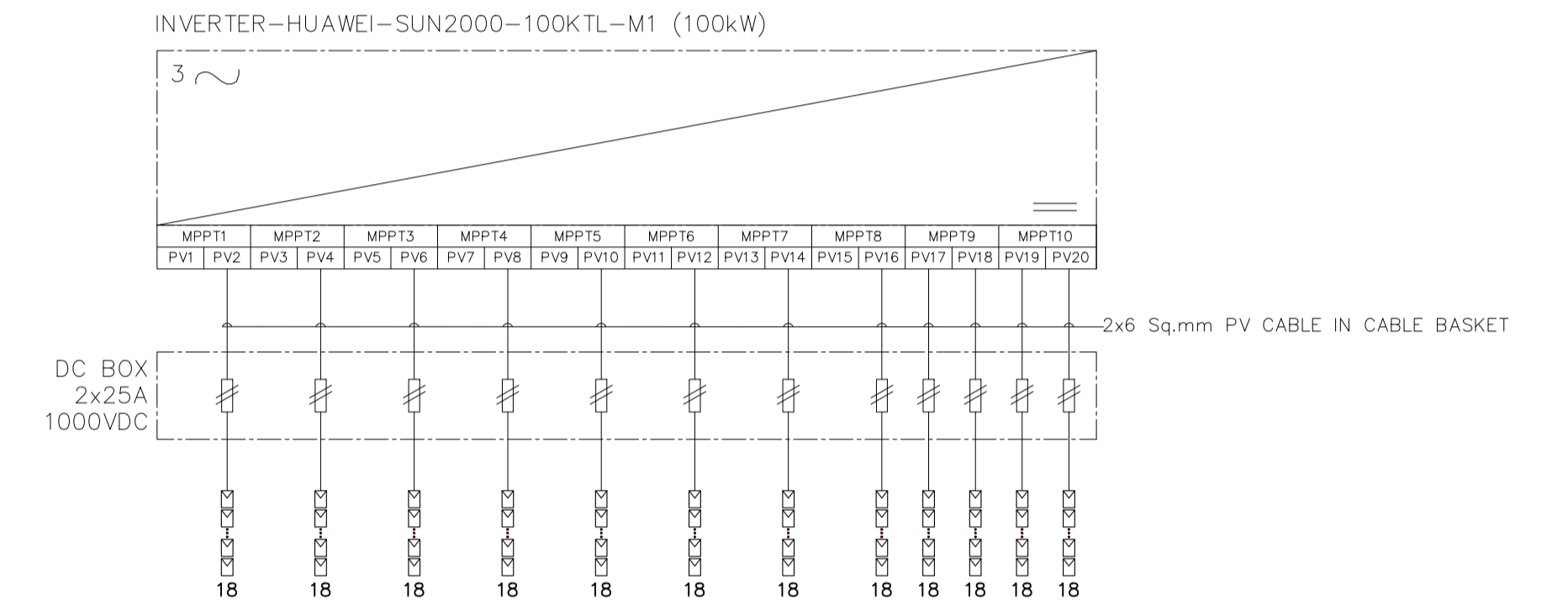
INVERTER NUMBER : INV15		
INVERTER MODEL : HUAWEI-SUN2000-100KTL-M1		
PV MODULE : LONGI LR5-72HPH-550M 216 MODULE		
PV MODULE/STRING	QUANTITY STRING	STRING CAPACITY(kWp)
18	12	118.800
TOTAL		118.800



INVERTER NUMBER : INV14		
INVERTER MODEL : HUAWEI-SUN2000-100KTL-M1		
PV MODULE : LONGI LR5-72HPH-550M 216 MODULE		
PV MODULE/STRING	QUANTITY STRING	STRING CAPACITY(kWp)
18	12	118.800
TOTAL		118.800



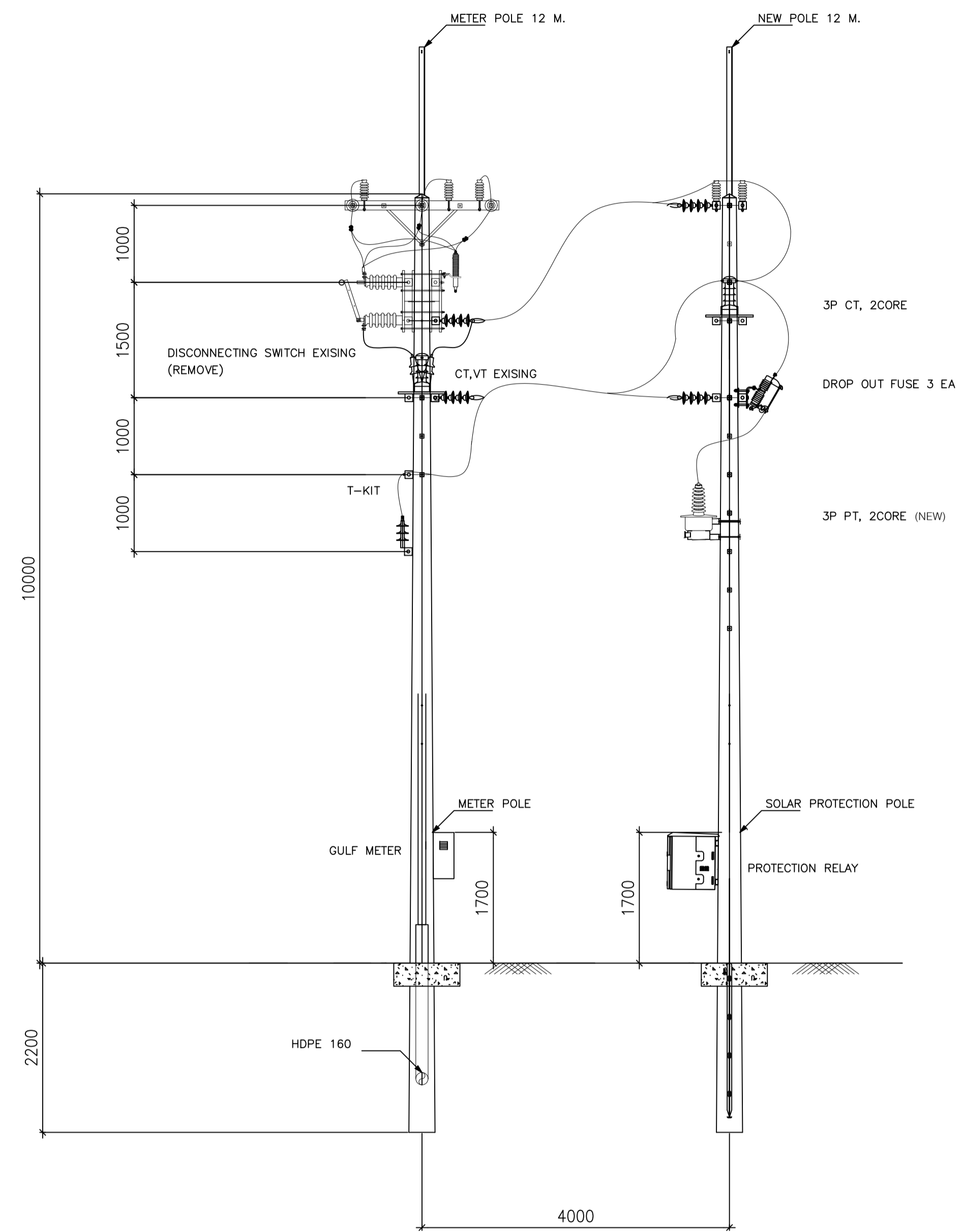
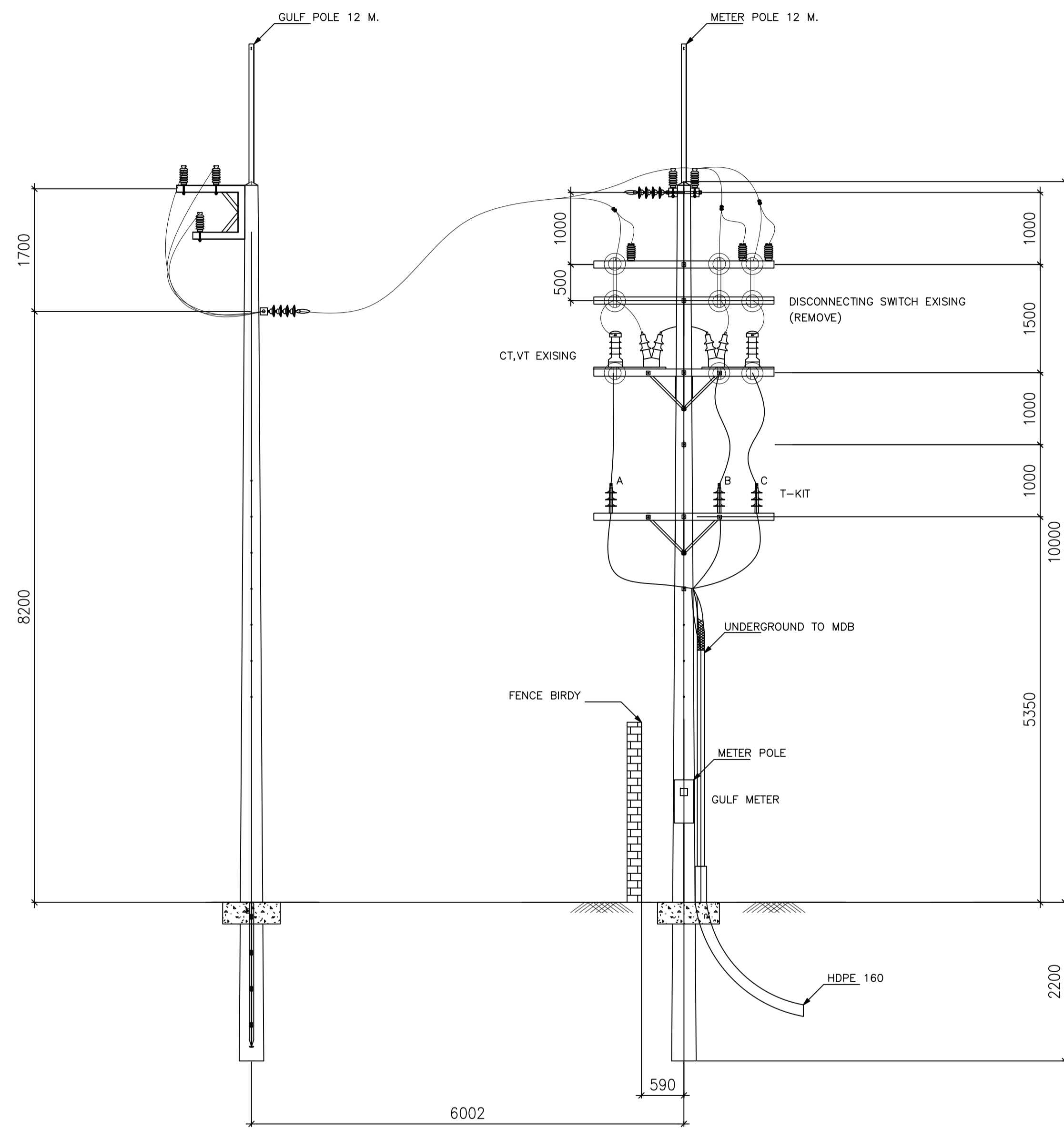
INVERTER NUMBER : INV16		
INVERTER MODEL : HUAWEI-SUN2000-100KTL-M1		
PV MODULE : LONGI LR5-72HPH-550M 216 MODULE		
PV MODULE/STRING	QUANTITY STRING	STRING CAPACITY(kWp)
18	12	118.800
TOTAL		118.800



STRING WIRING DIAGRAM (3)

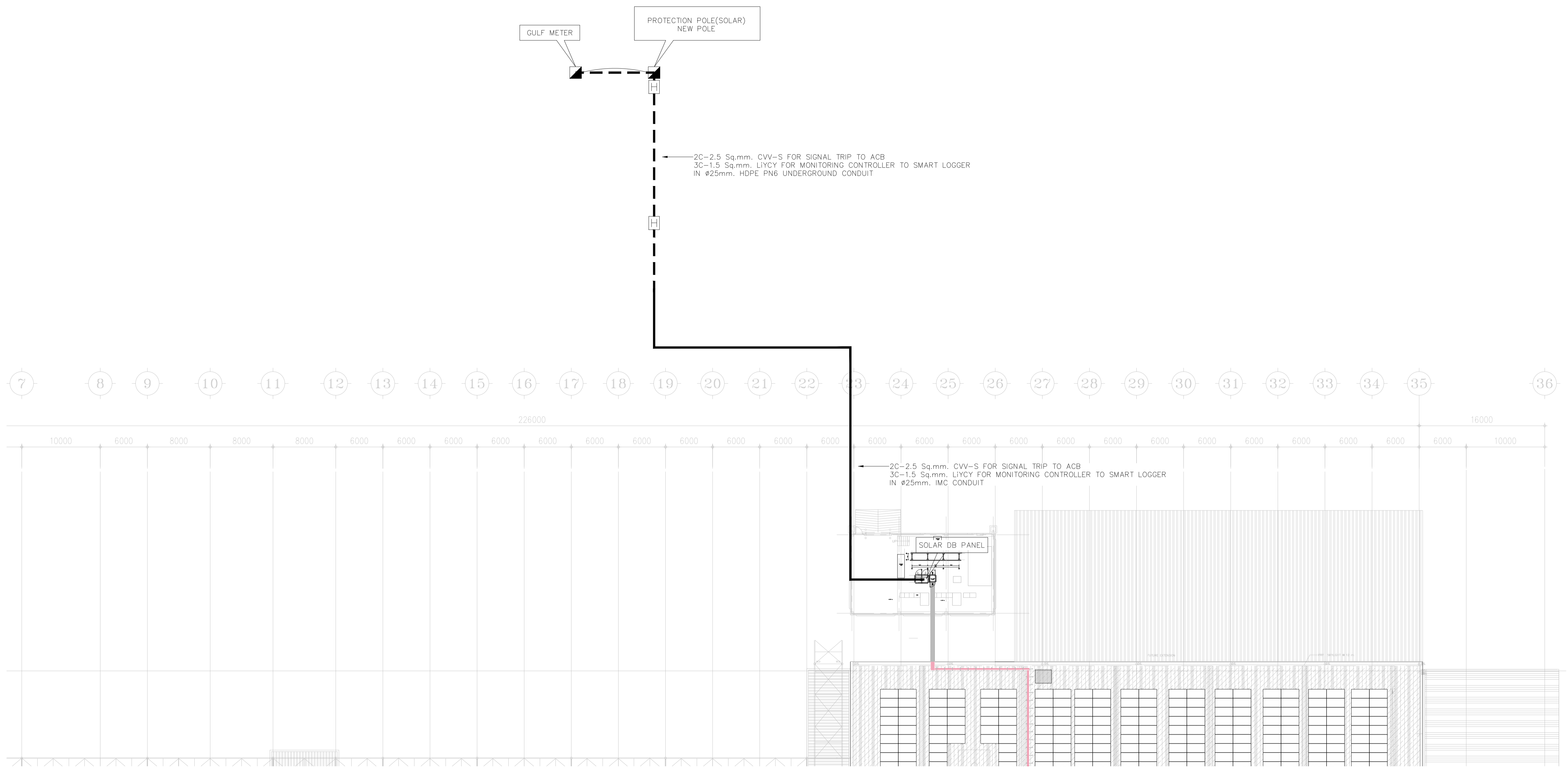
NTS.

CLIENT	MAIN CONTRACTOR	SUB CONTRACTOR	ARCHITECT	ELECTRICAL ENGINEER	REV.	DESCRIPTION	DATE	PROJECT	xxx-xxx-xxxxx	SCALE 1:20	DRAWN BY	CHECKED BY	APPROVED
			Address	Address					SCALE 1:50				
			STRUCTURAL ENGINEER	MECHANICAL ENGINEER					SCALE 1:100				
			Address	Address									
SOLAR ROOF TOP									DATE	DATE	DATE		
STRING WIRING DIAGRAM (3)									16.11.2022	16.11.2022	16.11.2022		
DRAWING No.											REV.		
											△		



MV POLE WIRING DETAIL INSTALLATION
NTS.

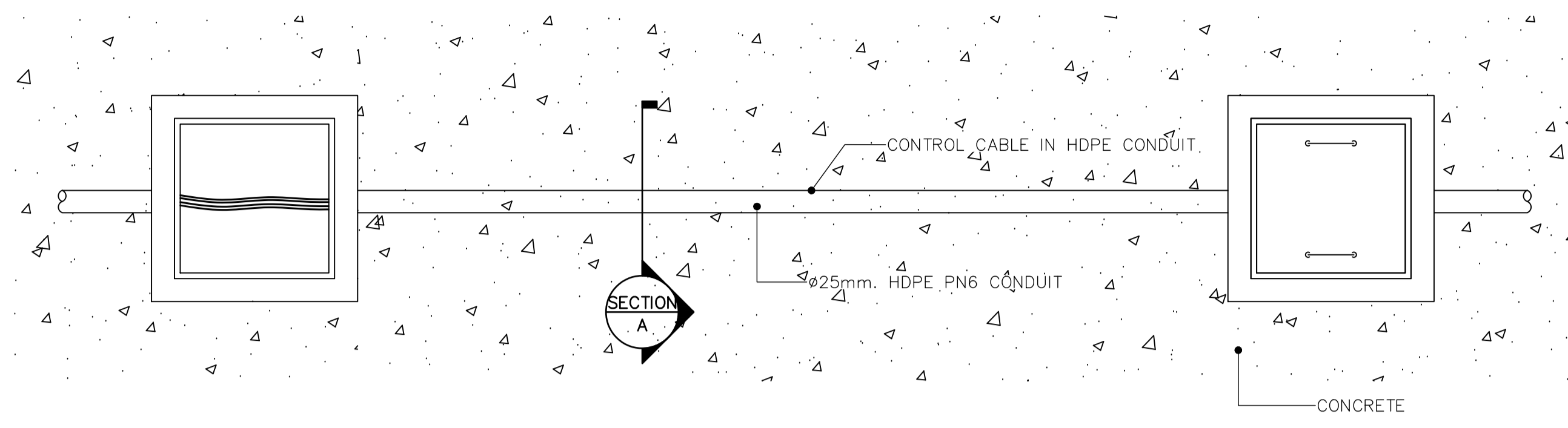
CLIENT	MAIN CONTRACTOR	SUB CONTRACTOR	ARCHITECT	ELECTRICAL ENGINEER	REV.	DESCRIPTION	DATE	PROJECT	xxx-xxx-xxxxx	SCALE 1:20	DRAWN BY		
			Address	Address					SCALE 1:50	CHECKED BY	APPROVED		
			STRUCTURAL ENGINEER	MECHANICAL ENGINEER					SCALE 1:100	DATE	DATE	DATE	
			Address	Address					TITLE				
SOLAR ROOF TOP									16.11.2022	16.11.2022	16.11.2022	DRAWING No.	REV.
MV POLE WIRING DETAIL INSTALLATION													



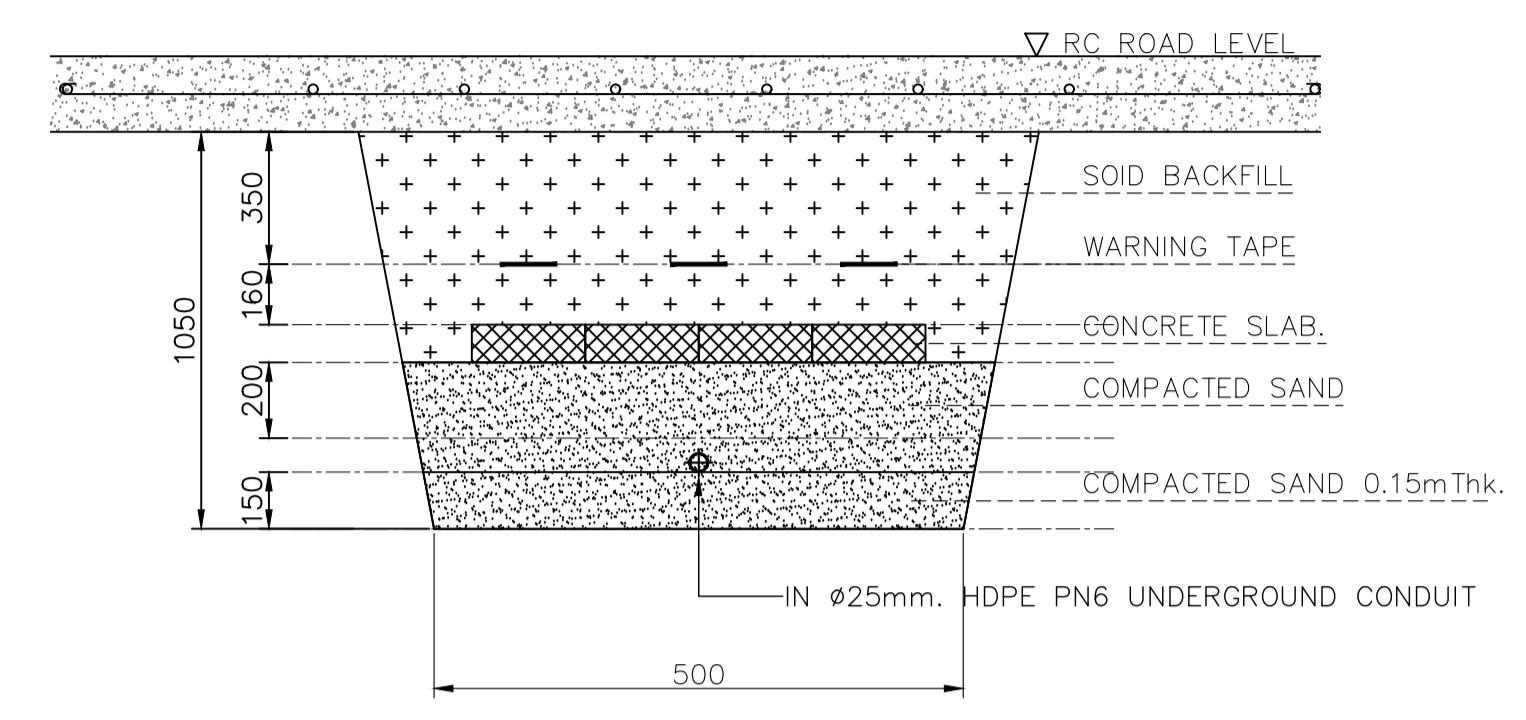
SYMBOL	DESCRIPTION
---	CONTROL CABLE UNDERGROUND ROUTE LINE
—	CONTROL CABLE ON PIPE RACK(EXISTING)
H	HANDHOLE

UNDERGROUND ROUTING LAYOUT PLAN
Scale: 1:250(A1), 1:500(A3)

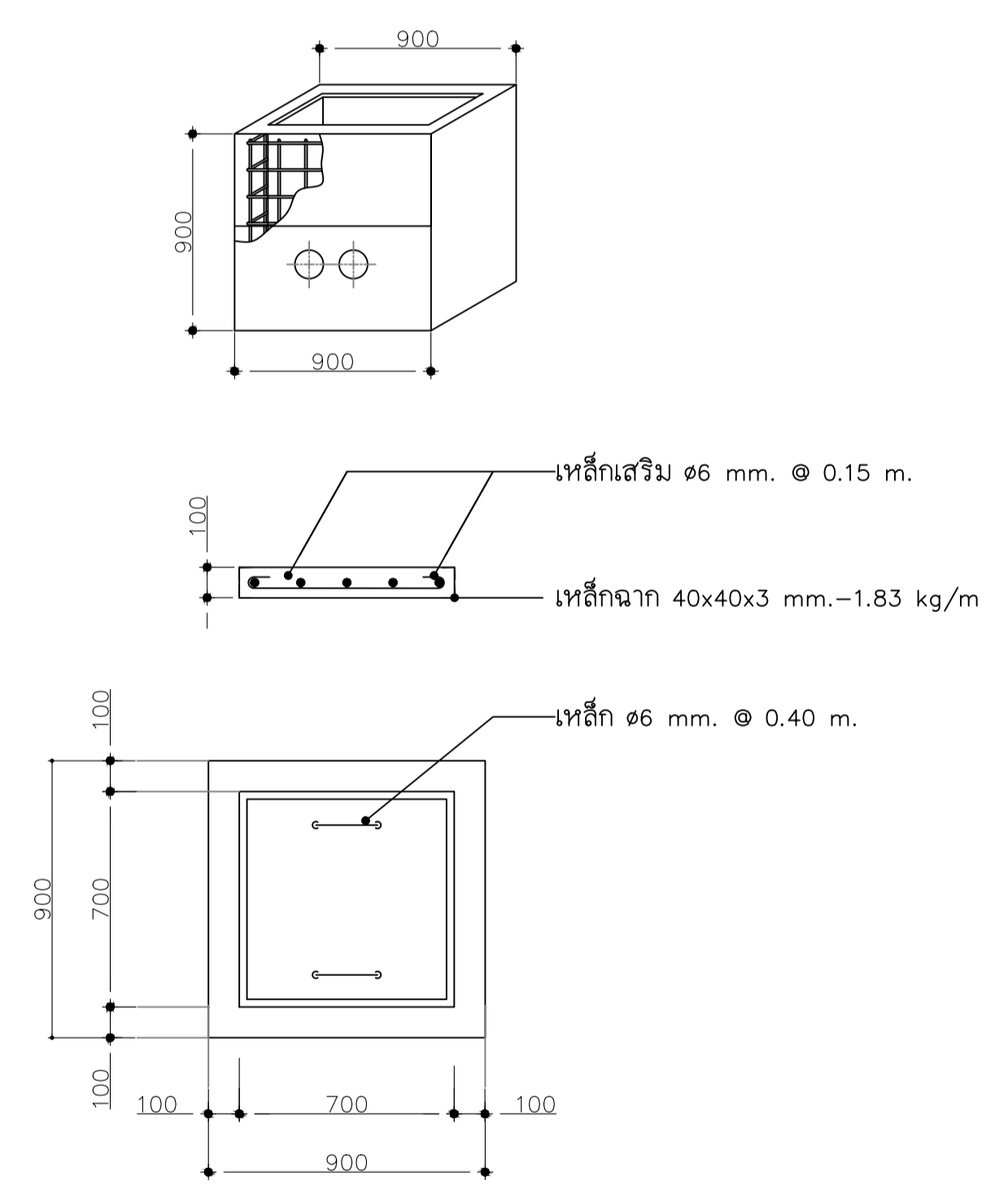
CLIENT	MAIN CONTRACTOR	SUB CONTRACTOR	ARCHITECT	ELECTRICAL ENGINEER	REV.	DESCRIPTION	DATE	PROJECT	xxx-xxx-xxxxx	SCALE 1:20	DRAWN BY		
			Address	Address					SCALE 1:50	CHECKED BY	APPROVED		
			STRUCTURAL ENGINEER	MECHANICAL ENGINEER					SCALE 1:100	DATE	DATE	DATE	
			Address	Address					TITLE				
SOLAR ROOF TOP									16.11.2022	16.11.2022	16.11.2022	REV.	
UNDERGROUND ROUTING LAYOUT PLAN									DRAWING No.		△		



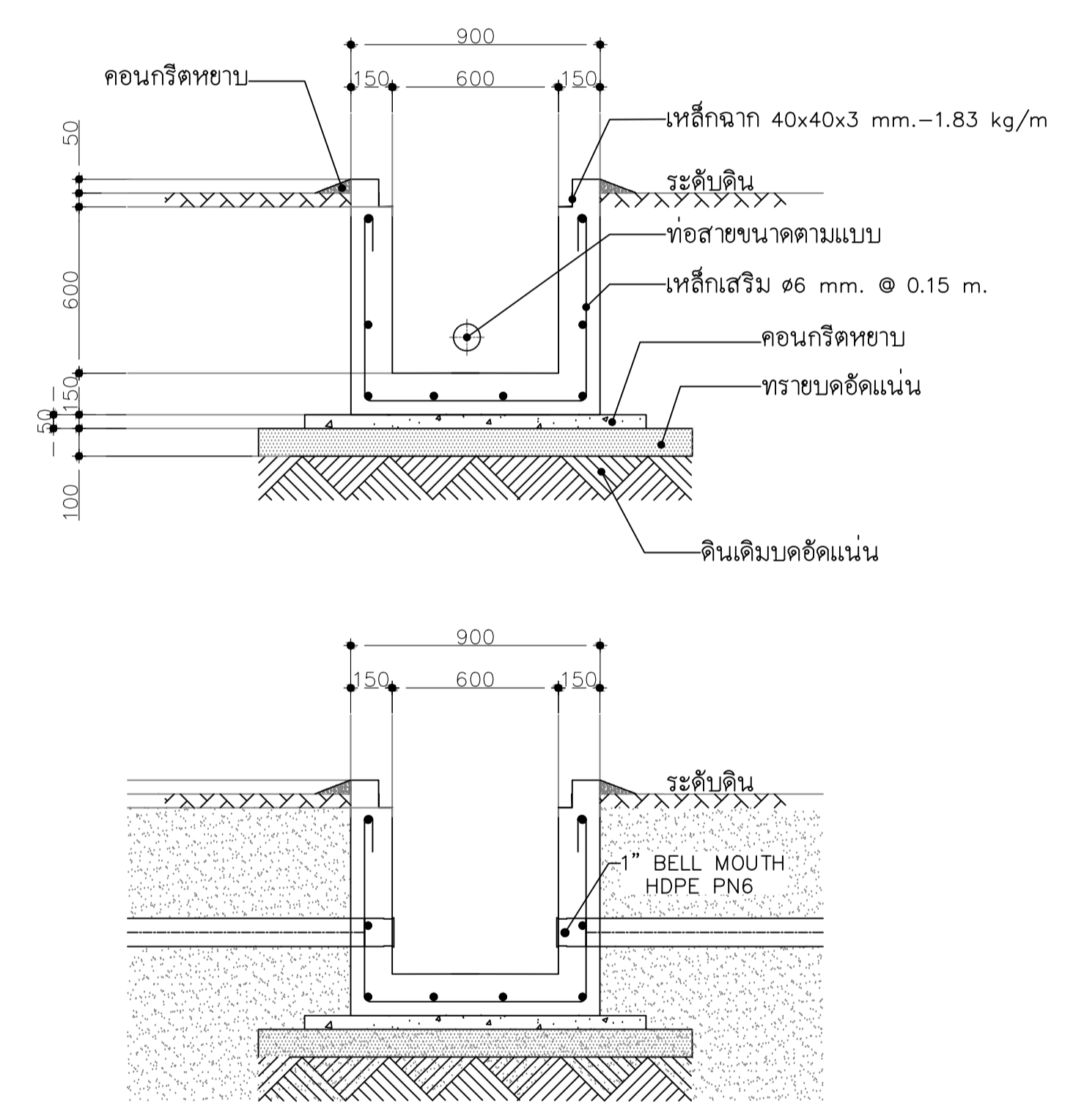
ELECTRICAL HANHOLE
NTS.



SECTION UNDERGROUND CONDUIT
Scale: 1:20

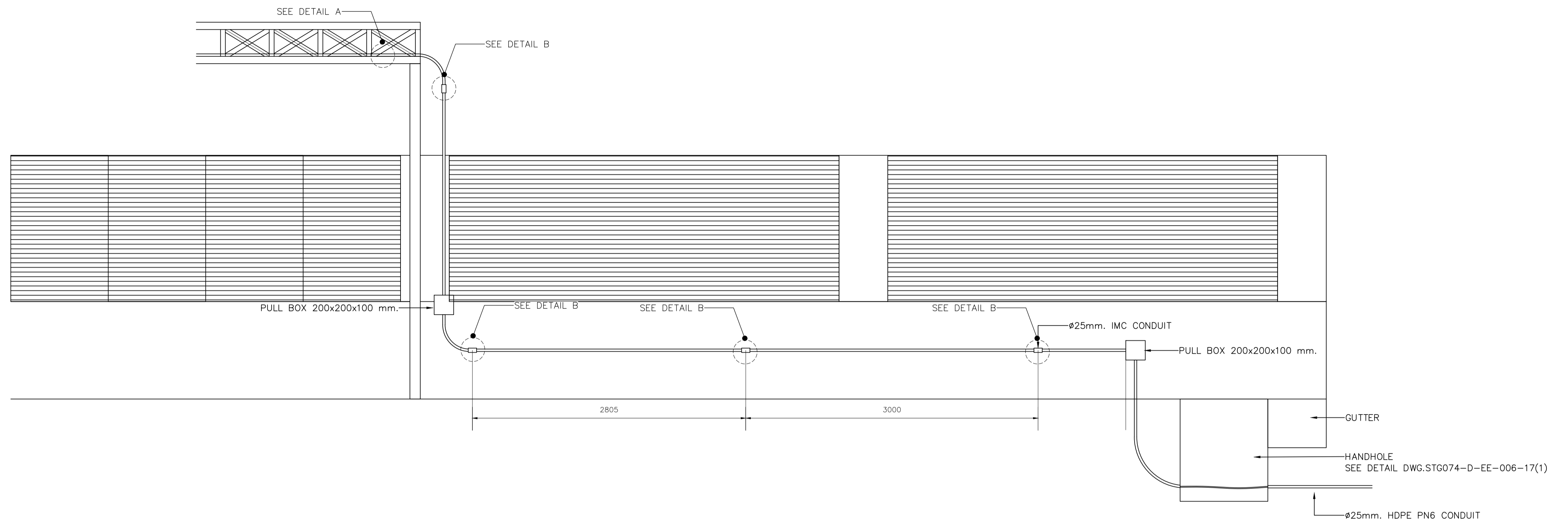


ELECTRICAL HANDHOLE DETAIL INSTALLATION
Scale: 1:20(A1), 1:40(A3).



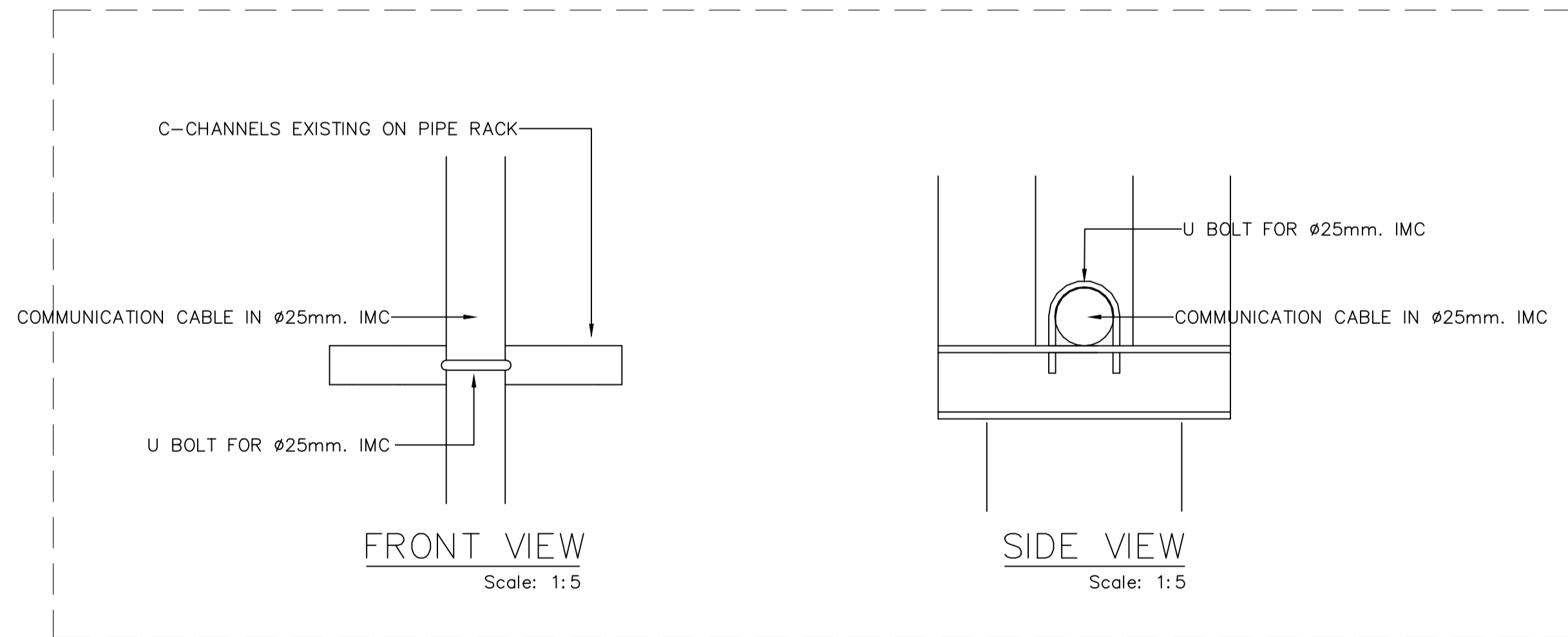
UNDERGROUND DETAIL INSTALLATION (1)
NTS.

CLIENT	MAIN CONTRACTOR	SUB CONTRACTOR	ARCHITECT	ELECTRICAL ENGINEER	REV.	DESCRIPTION	DATE	PROJECT	xxx-xxx-xxxxx	SCALE 1:20	DRAWN BY		
			Address	Address					SCALE 1:50	CHECKED BY	APPROVED		
			STRUCTURAL ENGINEER	MECHANICAL ENGINEER					SCALE 1:100	DATE	DATE	DATE	
			Address	Address					SOLAR ROOF TOP				
TITLE									UNDERGROUND DETAIL INSTALLATION (1)				
										DRAWING No.	REV.		

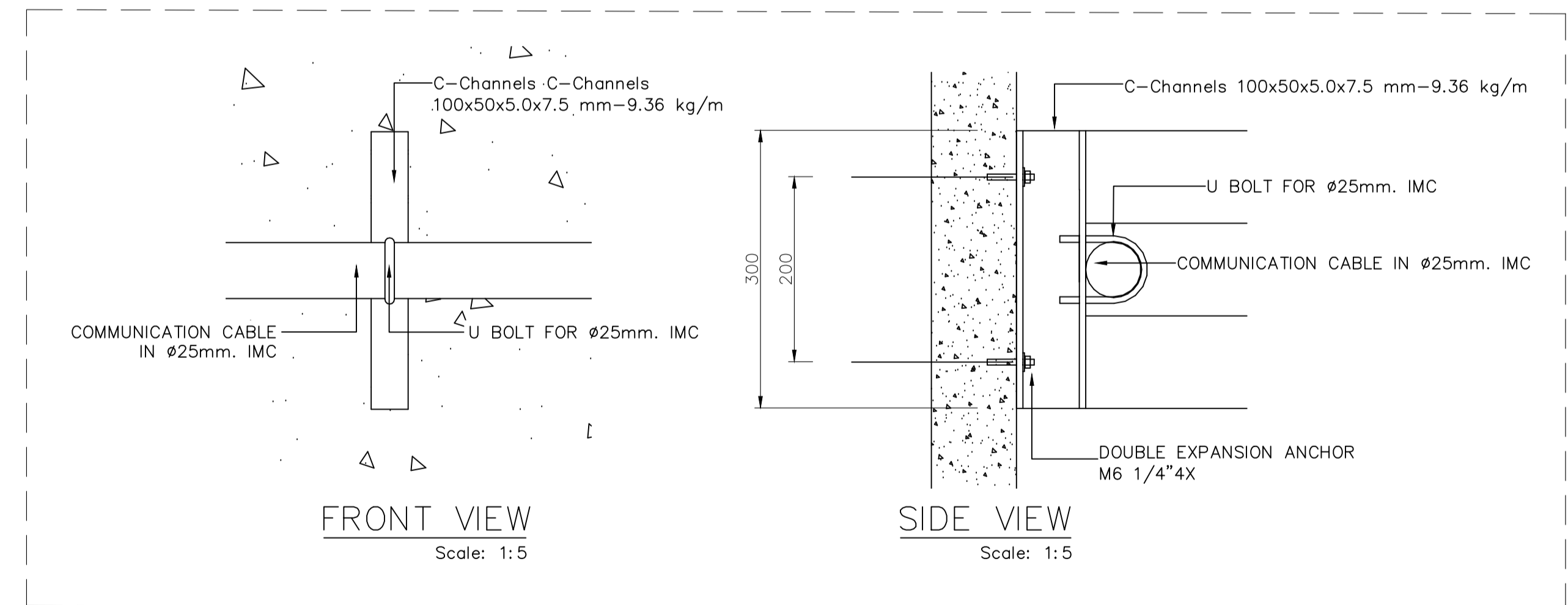


UNDERGROUND TO PIPE RACK DETAIL INSTALLATION

Scale: 1:50(A1), 1:100(A3).



DETAIL A
Scale: 1:5



DETAIL B
Scale: 1:5

UNDERGROUND DETAIL INSTALLATION (2)

NTS.

CLIENT	MAIN CONTRACTOR	SUB CONTRACTOR	ARCHITECT	ELECTRICAL ENGINEER	REV.	DESCRIPTION	DATE	PROJECT	xxx-xxx-xxxxx	SCALE 1:20	DRAWN BY			
			Address	Address					SCALE 1:50	CHECKED BY	APPROVED			
			STRUCTURAL ENGINEER	MECHANICAL ENGINEER					SCALE 1:100	DATE	DATE	DATE		
			Address	Address					SOLAR ROOF TOP					
TITLE									16.11.2022	16.11.2022	16.11.2022	DRAWING No.		REV.
UNDERGROUND DETAIL INSTALLATION (2)														△