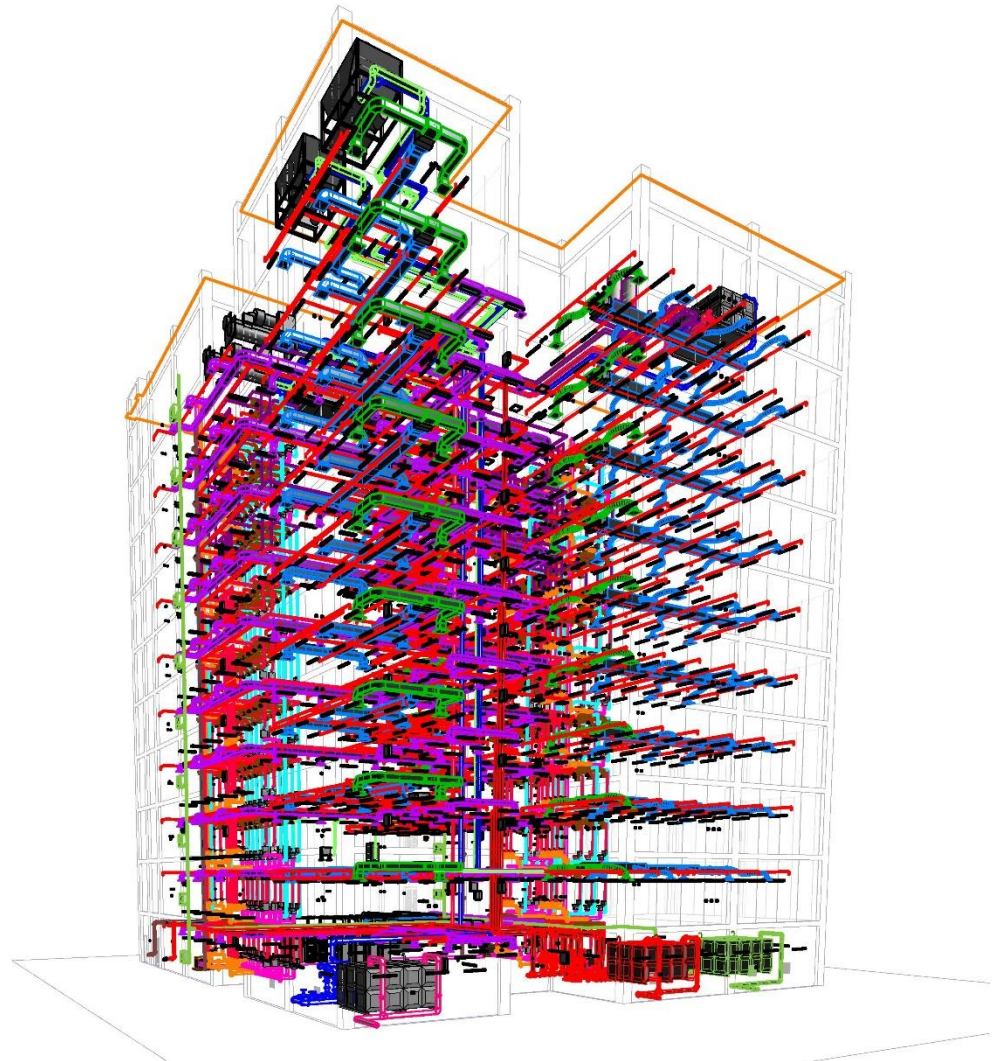
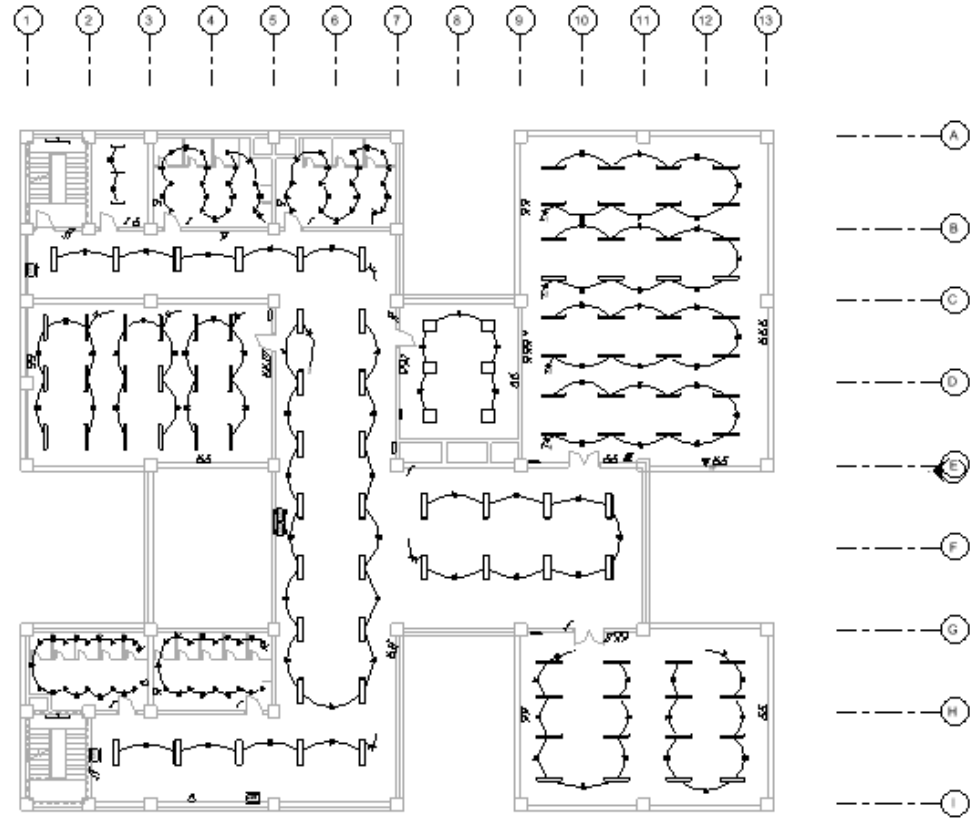
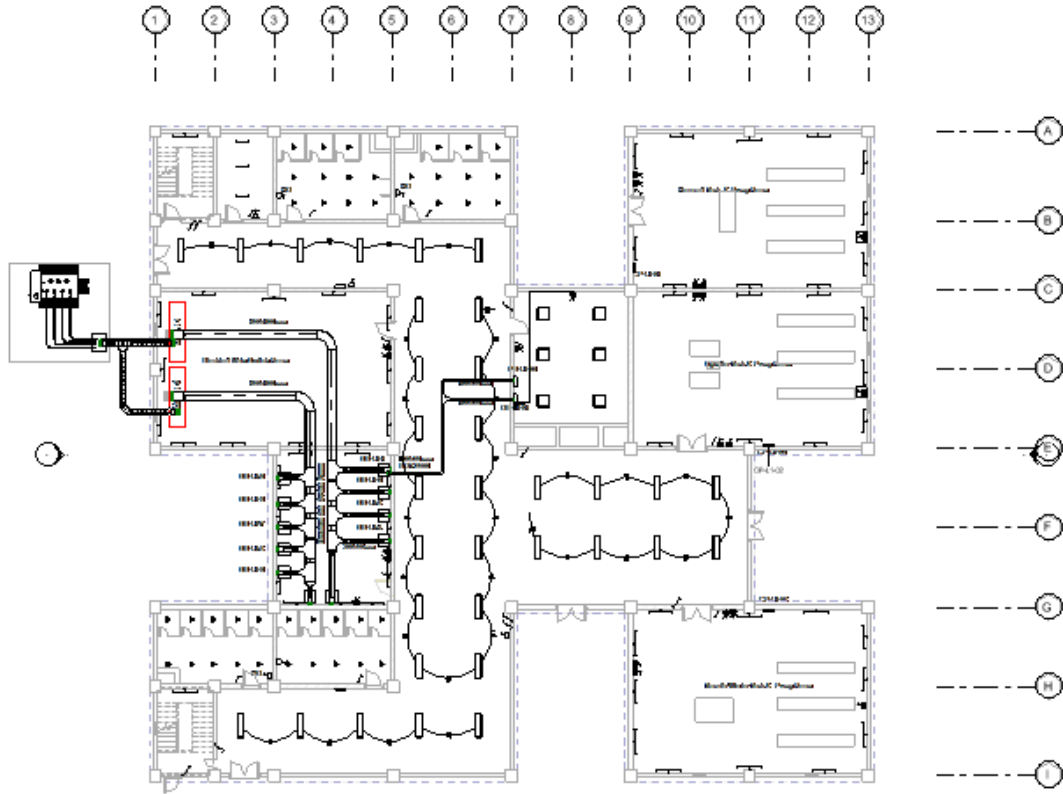


10 Storeys Residential Building

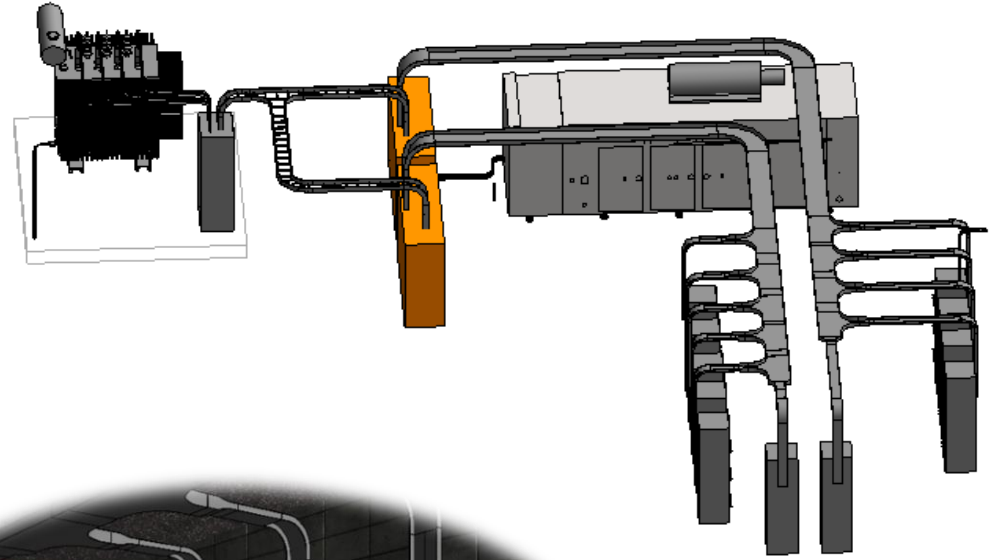
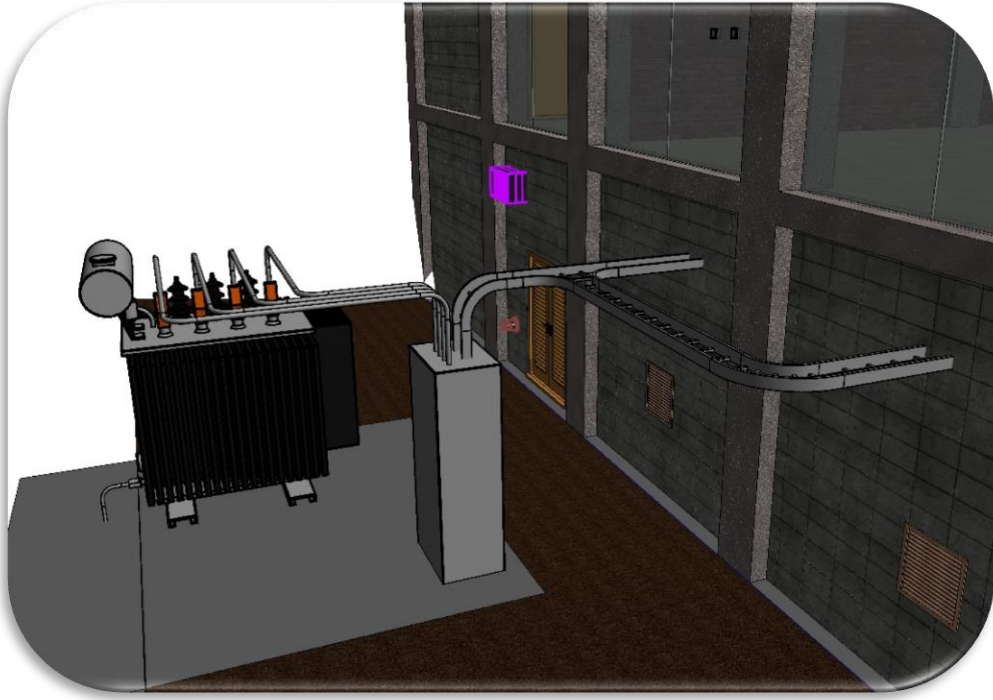


Electrical Service

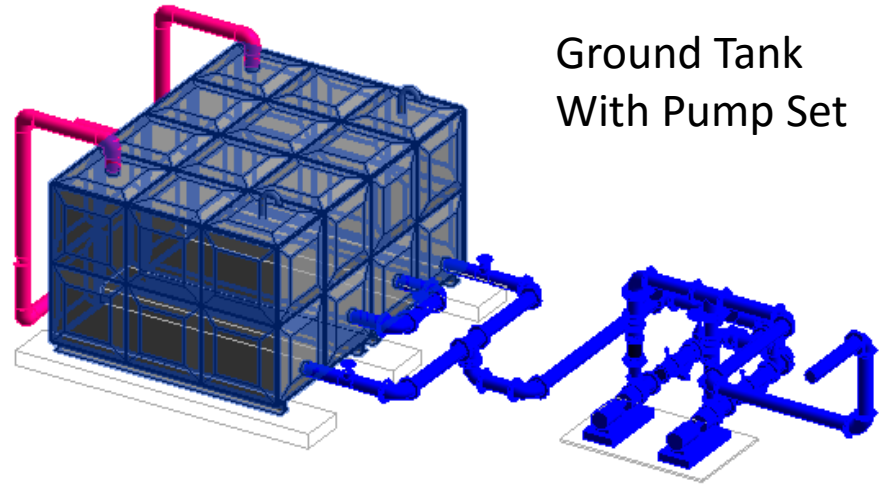


Electrical Distribution Plan And Lighting

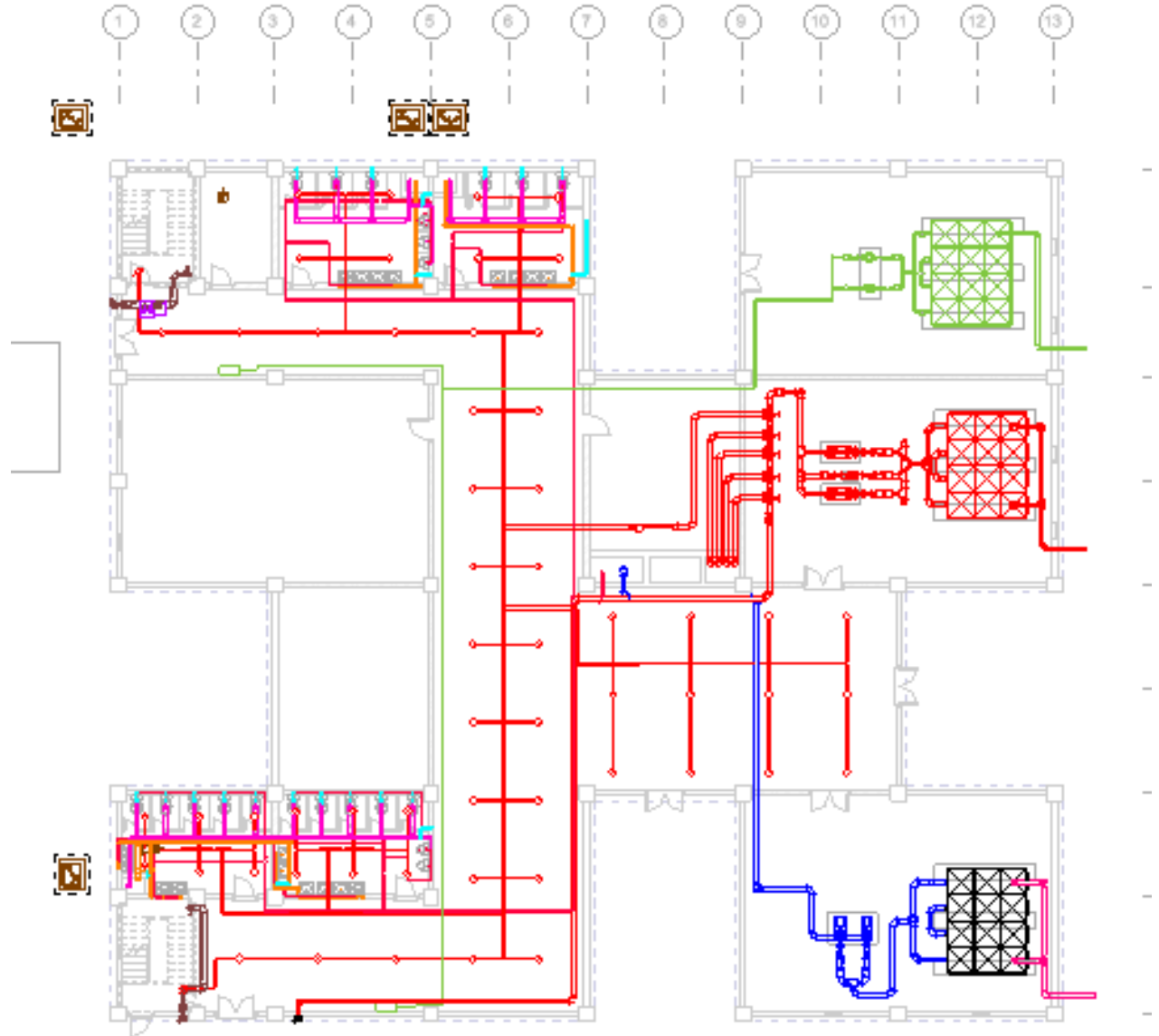
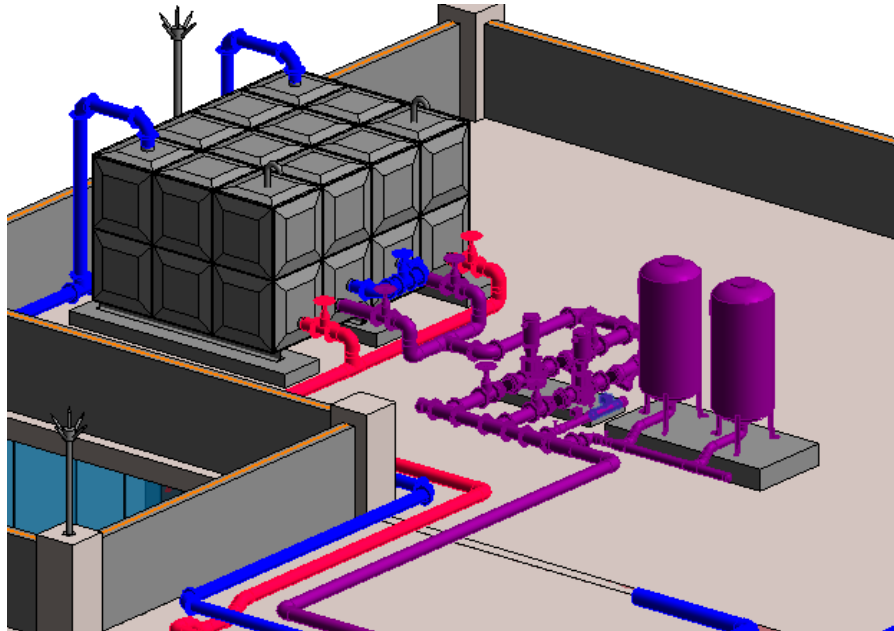
Power Distribution System

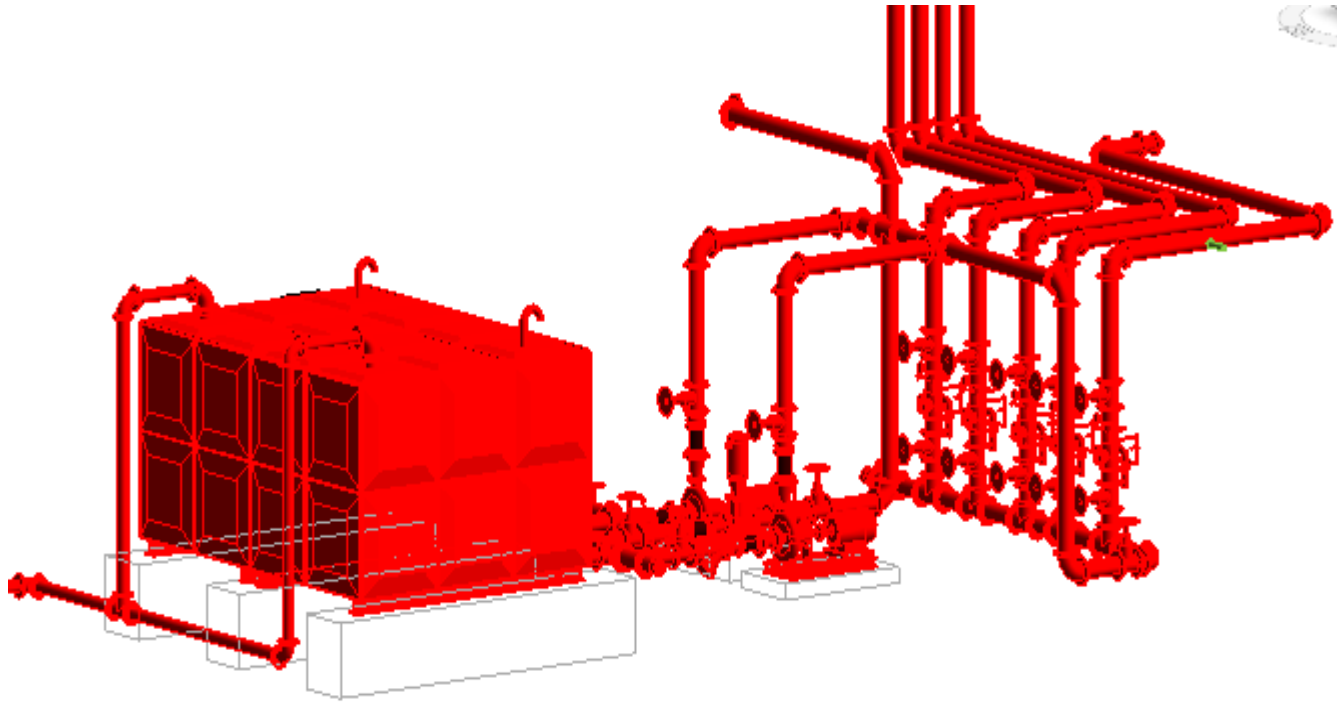


Plumbing , Sanitary Service And Fire Protection Service



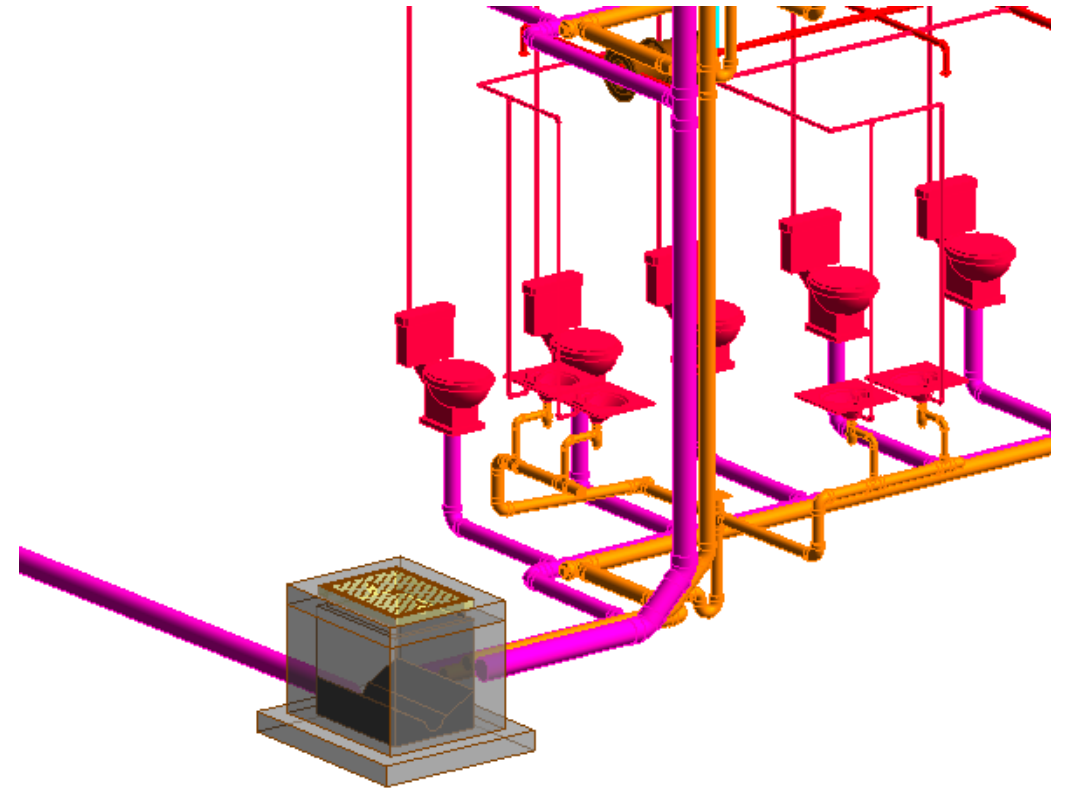
Ground Tank
With Pump Set



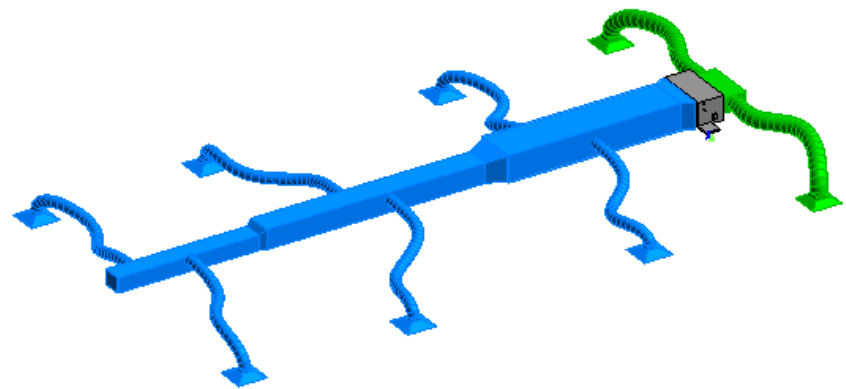
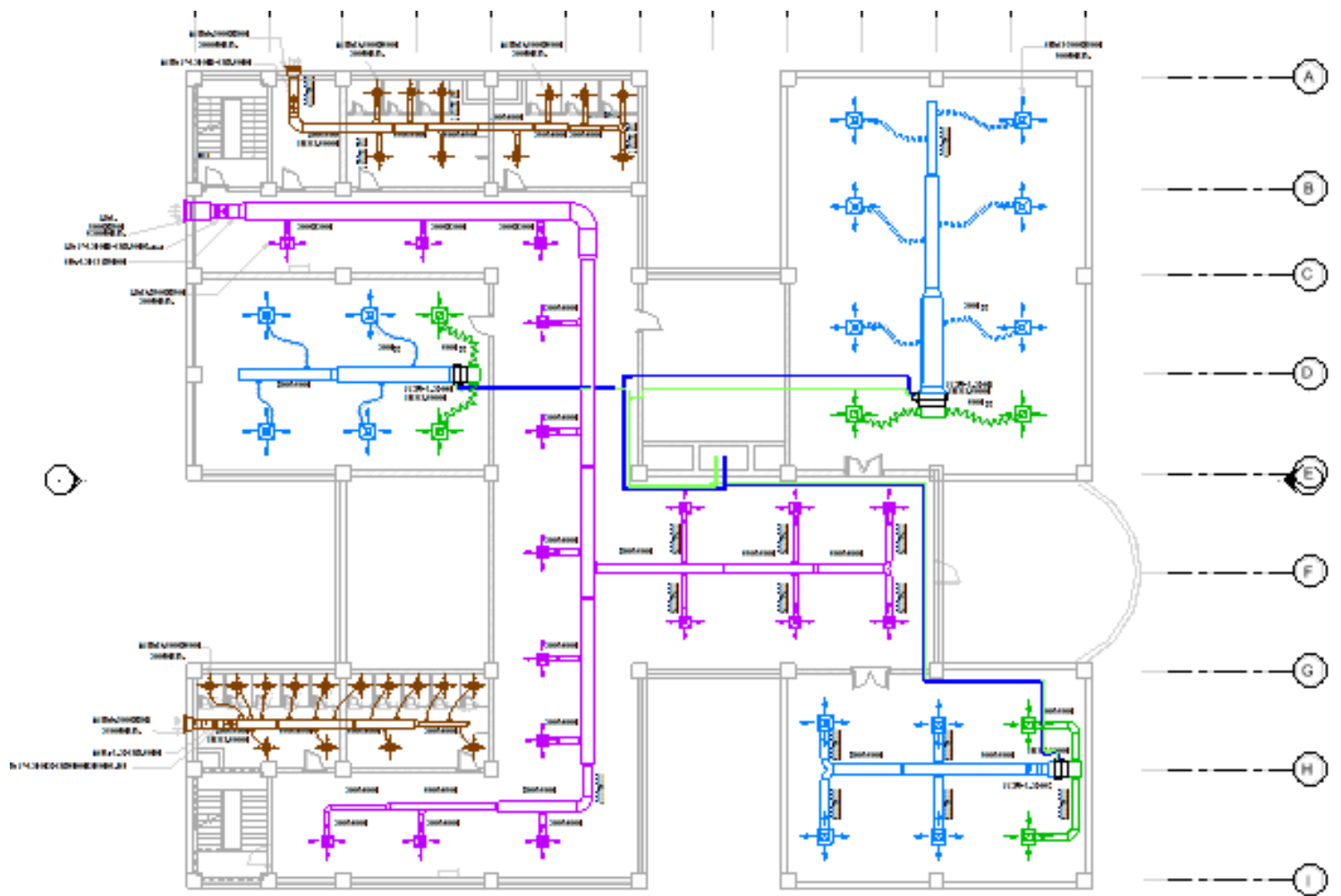


Fire Sprinkler Pump Set With Control Valve

IC Location & Connection

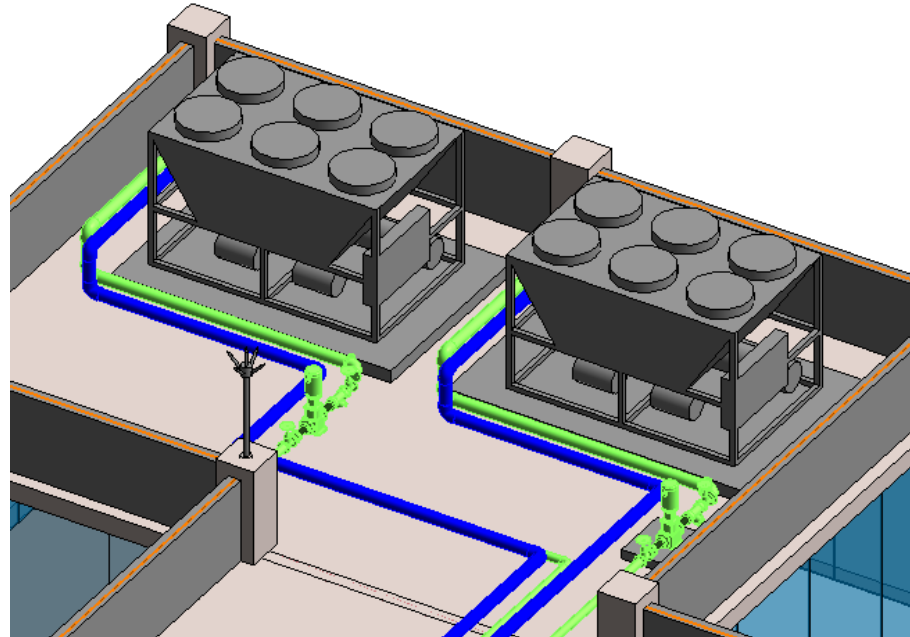
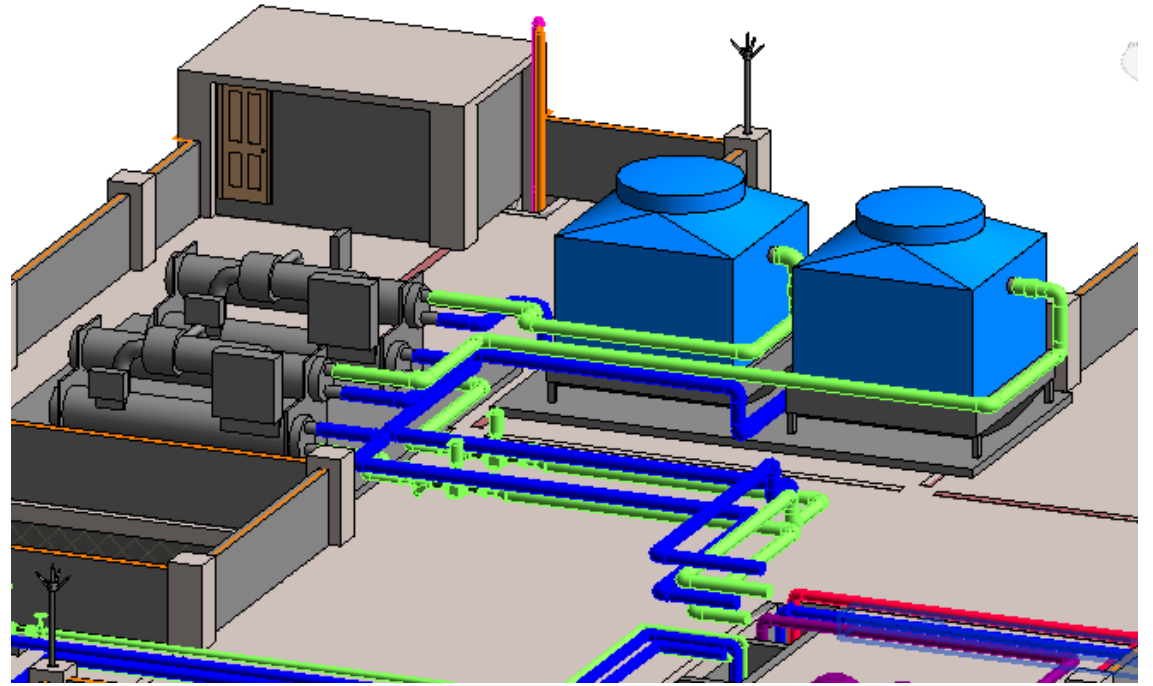
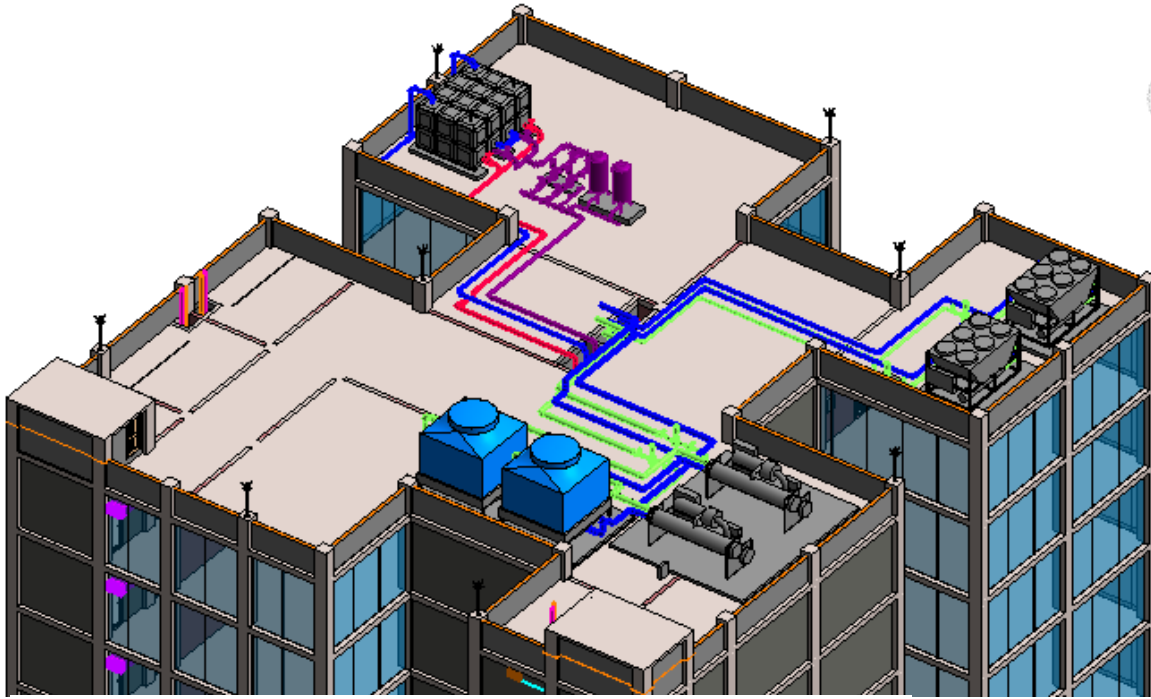


ACMV Service



Duct Installation With FCU

ACMV Floor Plan

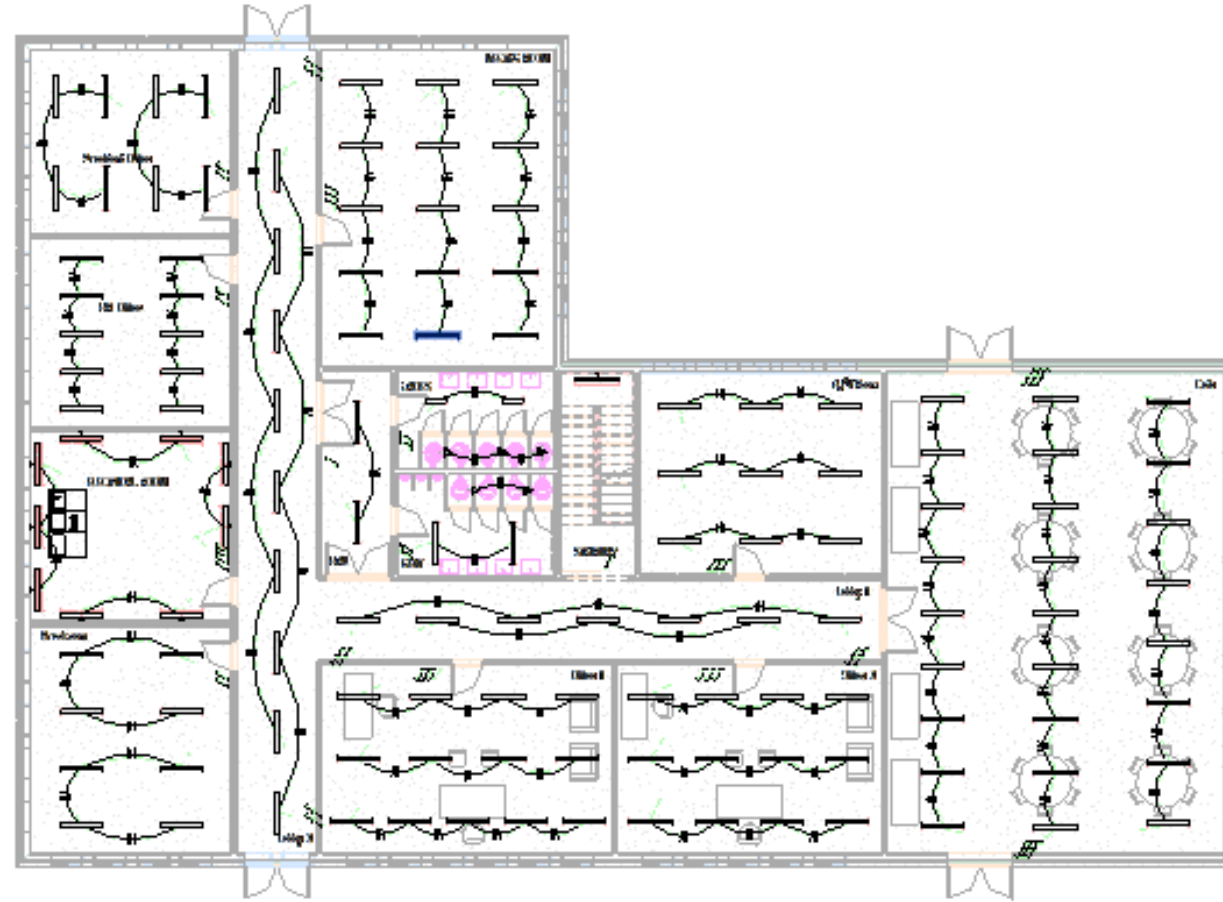
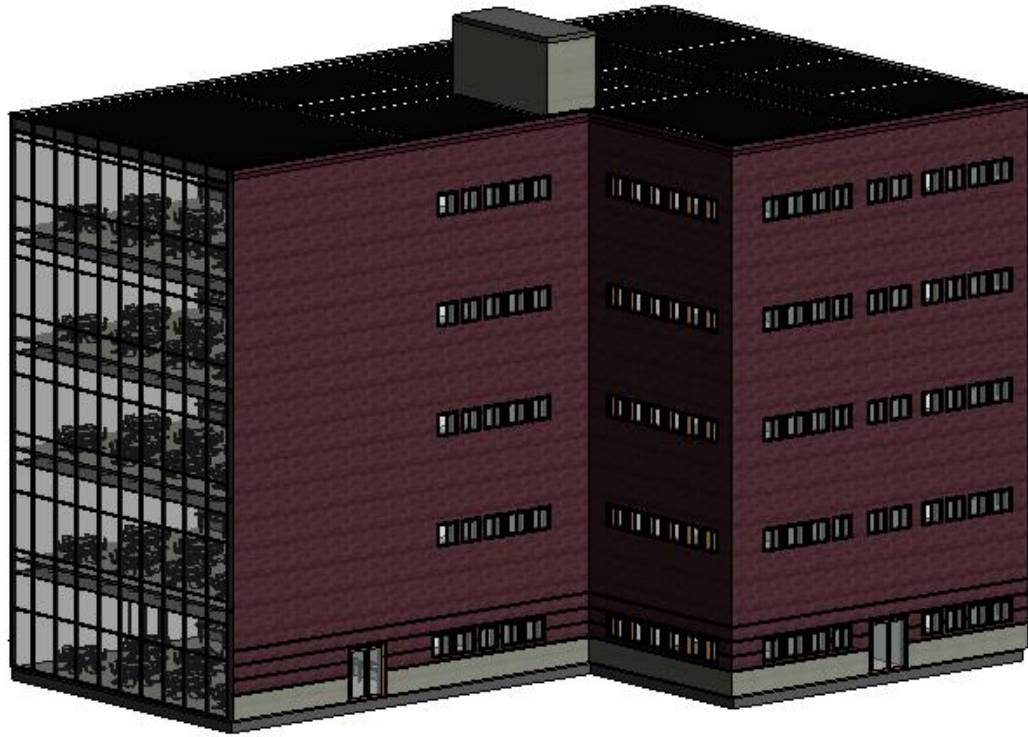


-3D ROOF PLAN VIEW

-CHILLER SYSTEM INSTALLATION

-CHILLER SYSTEM WITH COOLING TOWER

CURRENT PROJECT



6 STOREYS BUILDING